

CDF

Internal Format Description

Version 3.6, March 20, 2016

Space Physics Data Facility
NASA / Goddard Space Flight Center

Copyright © 2016
Space Physics Data Facility
NASA/Goddard Space Flight Center
Greenbelt, Maryland 20771 (U.S.A.)

This software may be copied or redistributed as long as it is not sold for profit, but it can be incorporated into any other substantive product with or without modifications for profit or non-profit. If the software is modified, it must include the following notices:

- The software is not the original (for protection of the original author's reputations from any problems introduced by others)
- Change history (e.g. date, functionality, etc.)

This copyright notice must be reproduced on each copy made. This software is provided as is without any express or implied warranties whatsoever.

Internet - cdsupport@listserv.gsfc.nasa.gov

Contents

| | | |
|-------------------|---|-----------|
| 1 | Introduction | 1 |
| 2 | dotCDF File | 2 |
| 2.1 | Magic Numbers | 6 |
| 2.2 | CDF Descriptor Record | 6 |
| 2.3 | Global Descriptor Record | 8 |
| 2.4 | Attribute Descriptor Record | 10 |
| 2.5 | Attribute Entry Descriptor Record | 12 |
| 2.6 | Variable Descriptor Record | 14 |
| 2.7 | Variable Index Record | 17 |
| 2.8 | Variable Values Record | 19 |
| 2.9 | Compressed CDF Record | 19 |
| 2.10 | Compressed Parameters Record | 20 |
| 2.11 | Sparseness Parameters Record | 21 |
| 2.12 | Compressed Variable Values Record | 22 |
| 2.13 | Unused Internal Record | 22 |
| 3 | Variable Files | 25 |
| 4 | Variable Records | 26 |
| 5 | Encodings | 29 |
| 5.1 | Data Representations | 29 |
| 5.1.1 | Bits | 29 |
| 5.1.2 | Bytes | 29 |
| 5.1.3 | Integers | 29 |
| 5.1.4 | Floating-Point | 30 |
| 5.2 | Control Information | 33 |
| 5.2.1 | Integer Values | 33 |
| 5.2.2 | Character Strings | 33 |
| 5.3 | Application Data | 33 |
| Appendix A | | 36 |
| A.1 | Single-Precision Floating-Point | 36 |
| Appendix B | | 39 |
| B.1 | Double-Precision Floating-Point | 39 |

Preface

This document will present the physical file layout used by the Common Data Format (CDF) for CDF Version 3.2. No attempt will be made to teach the concepts of CDF. For that please refer to the CDF User's Guide, CDF C Reference Manual, CDF Fortran Reference Manual and CDF Perl Reference Manual, or the CDF Java APIs online . This document will assume that you are familiar with rVariables, zVariables, attributes, gEntries, rEntries, zEntries, and all of the other CDF concepts. Using the contents of this document, you should be able to rewrite the CDF library in your spare time.

Chapter 1

1 Introduction

A CDF may have one of two formats: single-file or multi-file. A single-file CDF contains everything in one file having an extension of .cdf. A multi-file CDF stores everything except variable values in one file (with an extension of .cdf). The variable values are stored in separate files - one per variable. Variable files are described in Chapter 3. The .cdf file of a CDF will be referred to as the dotCDF file throughout this document.

The dotCDF file of a CDF contains magic numbers and numerous internal records are used to organize information about the contents of the CDF (for both single-file and multi-file CDFs). Chapter 2 describes the magic numbers and the various internal records. The data encodings used by CDF are described in Chapter 5. The file attributes of a dotCDF or variable file are not an issue on UNIX-based systems, the PC, or the Macintosh¹ because all files on those platforms are simply treated as a sequence of bytes. On OpenVMS-based systems, however, file attributes are very much an issue. The file attributes of a dotCDF or variable file created by the CDF library on an OpenVMS-based system are as follows:

| | |
|--------------------|-------------------------------|
| File organization: | Sequential |
| Record format: | Fixed length 512 byte records |
| Record attributes: | None |
| RMS attributes: | None |

These are also the file attributes for a file that has been FTPed to an OpenVMS-based system in binary mode. With these file attributes the CDF library is able to read the file as if it simply consisted of a sequence of bytes. Transferring a CDF file to an OpenVMS-based systems as a text file will result in a different set of file attributes as well as the insertion of additional bytes into the file (because the file system thinks there are suppose to be lines of text). CDF files transferred in this way will not be readable by the CDF library.

CDFs created while running the POSIX Shell on a DEC Alpha (running OpenVMS), however, will have a different set of file attributes when the POSIX Shell is not being used. These file attributes are:

| | |
|--------------------|----------------------------------|
| File organization: | Sequential |
| Record format: | Stream LF, maximum 32256 bytes |
| Record attributes: | Carriage return carriage control |
| RMS attributes: | None |

A CDF file with these attributes appears to be readable by the CDF library on current versions of OpenVMS for a DEC Alpha. Some older version of OpenVMS apparently treats these file attributes differently and may cause a problem for the CDF library.

¹ On a Macintosh only the data fork of a file is used in a dotCDF or variable file.

Chapter 2

2 dotCDF File

This chapter will describe the contents of the CDF post-V3.0 dotCDF file². The dotCDF file contains a magic number and two or more internal records (IRs) that are used to organize the contents of a CDF. Different types of internal records are used to store information about various aspects and/or objects in the CDF. Each internal record contains two or more fields. The first field (at internal record offset³ 0x0), referred to as the RecordSize field, is an 8-byte unsigned integer containing the size of the internal record in bytes. The second field (at internal record offset 0x8), referred to as the RecordType field, is a 4-byte signed integer containing the type of internal record. Fields from the third through the last depend on the type of internal record. Each field is stored contiguously, however, and some fields may not be present in a particular instance of a type of internal record. Note that internal record fields are also referred to as “internal values.”

Table 2.1 lists the types of internal records, the associated RecordType values, and brief descriptions. Detailed descriptions are found in the corresponding sections.

All dotCDF files contain a CDF Descriptor Record (CDR) and a Global Descriptor Record (GDR). Other internal records will be present depending on the contents of the CDF. The CDR is always at file offset⁴ 0x0000000000000008, which immediately follows the magic number(s), described in Section 2.1. The file offset of the GDR is stored in the CDR.

The only internal record at a fixed location in the dotCDF file is the CDR. All other internal records (including the GDR) may be present in any order (which generally depends on the order in which the contents of the CDF were created by an application). File offsets are used to “point” to other internal records. Linked lists of internal records are implemented by storing the file offset of the first internal record on the linked list, having that internal record store the file offset of the next internal record on the linked list, and so on. Figure 2.1 shows a possible arrangement of internal records in an “uncompressed” dotCDF file. Note that the GDR “points” to the first zVDR that in turn “points” to the next zVDR. File offsets as described in the sections to follow are used to implement this linked list. Keep in mind that this is only an example of how a dotCDF file might be arranged. The internal records shown could be ordered in a number of different ways depending on how the CDF was written by the application. Figure 2.2 shows a possible arrangement of internal records in a dotCDF file, which has a variable, compressed. Figure 2.3 shows the file arrangement of internal records in a fully compressed dotCDF file.

² CDF V3.* file structure is similar to V2.6/2.7. The only differences are the fields for record sizes and offsets. They are 8-bytes, instead of 4-bytes.

³ The offset in (hexadecimal) bytes from the beginning of the internal record.

⁴ The offset in (hexadecimal) bytes from the beginning of the file.

| Type of Internal Record | RecordTypeField Internal Value | Purpose/Contents |
|-------------------------|--------------------------------|--|
| CDR | 1 | CDF Descriptor Record. General information about the CDF (see Section 2.2). |
| GDR | 2 | Global Descriptor Record. Additional general information about the CDF (see Section 2.3). |
| rVDR | 3 | rVariable Descriptor Record. Information about an rVariable (see Section 2.6). |
| ADR | 4 | Attribute Descriptor Record. Information about an attribute (see Section 2.4). |
| AgrEDR | 5 | Attribute g/rEntry Descriptor Record. Information about a gEntry or rEntry of an attribute (see Section 2.5). |
| VXR | 6 | Variable Index Record. Indexing information for a variable (see Section 2.7). |
| VVR | 7 | Variable Values Record. One or more variable records (see Section 2.8). |
| zVDR | 8 | zVariable Descriptor Record. Information about a zVariable (see Section 2.6). |
| AzEDR | 9 | Attribute zEntry Descriptor Record. Information about a zEntry of an attribute (see Section 2.5). |
| CCR | 10 | Compressed CDF Record. Information about a compressed CDF/variable (see Section 2.9). |
| CPR | 11 | Compression Parameters Record. Information about the compression used for a CDF/variable (see Section 2.10). |
| SPR | 12 | Sparseness Parameters Record. Information about the specified sparseness array (see Section 2.11). |
| CVVR | 13 | Compressed Variable Values Record. Information for the compressed CDF/variable (see Section 2.12). |
| UIR | -1 | Unused Internal Record. An internal record not currently being used (see Section 2.13). |
| MD5 Checksum | | Not considered as a CDF Internal Record. This is an optional field, located at the end of the CDF file, if the MD5 checksum option is chosen. This field is 16-byte long, but is not included in the eof field in GDR, which represents the CDF file size. |

Table 2.1: Internal Records

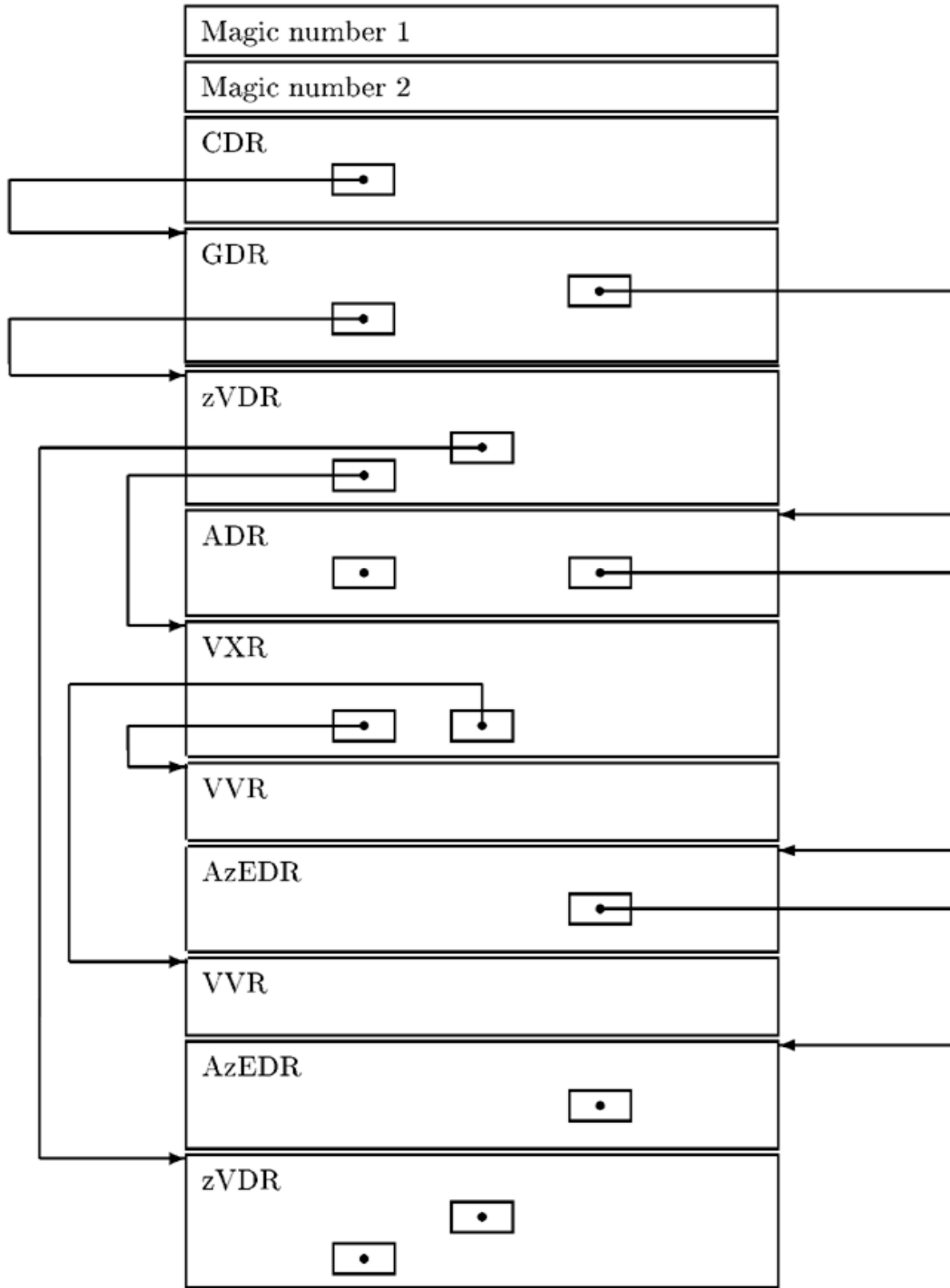


Figure 2.1: Example of an Uncompressed dotCDF File Arrangement

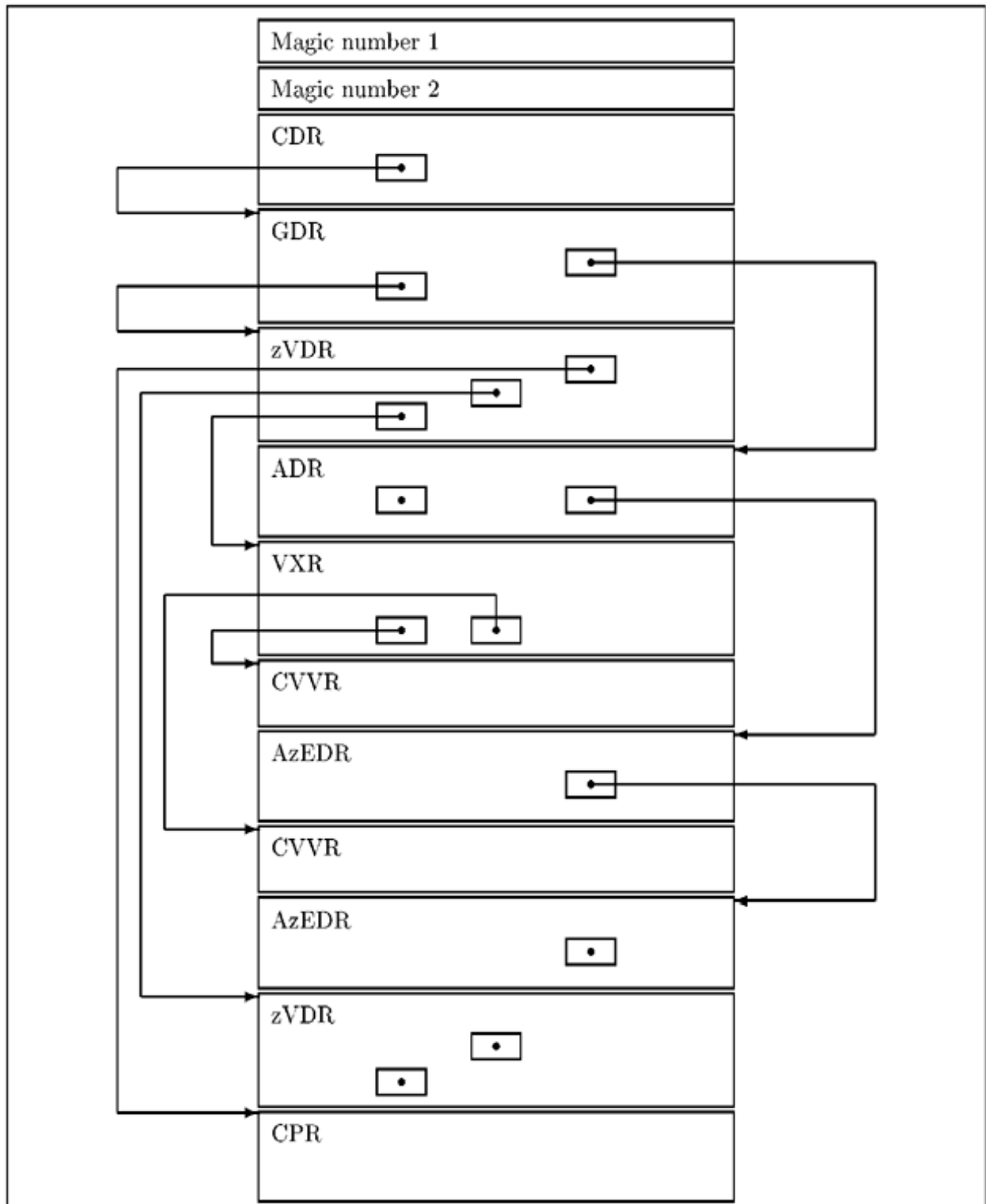


Figure 2.2: Example of a File Arrangement of a dotCDF File with a Compressed Variable

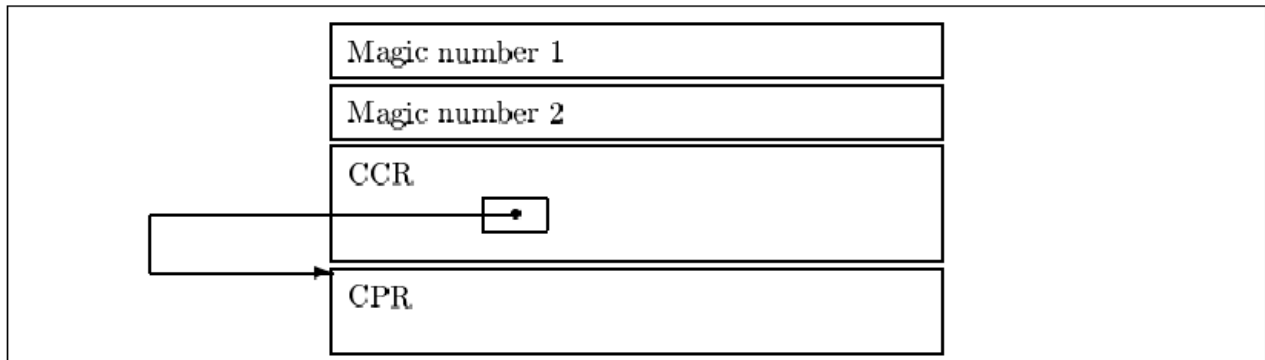


Figure 2.3: Example of a File Arrangement of a Fully Compressed dotCDF File

2.1 Magic Numbers⁵

CDF Version 3.0, just like V2.6 or 2.7, uses two magic numbers.⁶ The first one is 0xCDF30001⁷ at the file offset 0x0000000000000000 stored as a 4-byte, unsigned integer with big-endian byte ordering. The second one, another 4-byte unsigned integer of 0x0000FFFF for a regular CDF file⁸ or 0xCCCC0001 for a compressed CDF file⁹ at the file offset 0x0000000000000004, follows it. The first internal record is stored at file offset 0x0000000000000008.

2.2 CDF Descriptor Record

All dotCDF files contain a single CDF Descriptor Record (CDR) at file offset 0x00000008. The CDR contains general information about the CDF (as does the GDR described in Section 2.3).

The CDR, as shown in Figure 2.4, contains the following contiguous fields...

| | |
|------------|--|
| RecordSize | Signed 8-byte integer, big-endian byte ordering. The size in bytes of this CDR (including this field). |
| RecordType | Signed 4-byte integer, big-endian byte ordering. The value 1 which identifies this as the CDR. |
| GDRoffset | Signed 8-byte integer, big-endian byte ordering. The file offset of the GDR. The GDR is described in Section 2.3. |
| Version | Signed 4-byte integer, big-endian byte ordering. |

⁵ For older versions, the first magic number is 0x0000FFFF for pre-V2.6 or 0xCDF26002 for V2.6/7. The second magic number is 0x0000FFFF for pre-V2.6 or V2.6/7 if uncompressed, or 0xCCCC0001 for compressed for V2.6/7.

⁶ They don't seem like magic to me but looking at these values is how you would determine the identity of a file.

⁷ Pre-V2.6, it is 0x0000FFFF.

⁸ That means an uncompressed CDF or a CDF with a selected variable(s) compressed

⁹ Compression is not available for Pre-V2.6 CDFs. For Pre-V2.6, it is 0x0000FFFF, repeated from the first number. The magic numbers for V2.7 are identical to V2.6.

The version of the CDF distribution (library) that created this CDF. CDF distributions are identified with four values: version, release, increment, and sub-increment. For example, CDF V2.5.8a is CDF version 2, release 5, and increment 8, sub-increment 'a'. Note that the sub-increment is not stored in a CDF.

| | |
|-----------|---|
| Release | Signed 4-byte integer, big-endian byte ordering. The release of the CDF distribution that created this CDF. See the Version field above. |
| Encoding | Signed 4-byte integer, big-endian byte ordering. The data encoding for attribute entry and variable values. Section 5.3 describes the supported data encodings and their corresponding internal values. |
| Flags | Signed 4-byte integer, big-endian byte ordering. Boolean flags, one per bit, describing some aspect of the CDF. Bit numbering is described in Chapter 5. The meaning of each bit is as follows... <ul style="list-style-type: none"> 0 The majority of variable values within a variable record. Variable records are described in Chapter 4. Set indicates row-majority. Clear indicates column-majority. 1 The file format of the CDF. Set indicates single-file. Clear indicates multi-file. 2 The checksum of the CDF. Set indicates a checksum method is used. 3 The MD5 checksum method indicator. Set indicates MD5 method is used for the checksum. Bit 2 must be set. 4 Reserved for another checksum method. Bit 2 must be set and bit 3 must be clear . 5-32 Reserved for future use. These bits are always clear . |
| rfuA | Signed 4-byte integer, big-endian byte ordering. Reserved for future use. Always set to zero (0). |
| rfuB | Signed 4-byte integer, big-endian byte ordering. Reserved for future use. Always set to zero (0). |
| Increment | Signed 4-byte integer, big-endian byte ordering. The increment of the CDF distribution that created this CDF. See the Version field above. Prior to CDF V2.1 this field was always set to zero (0). |
| rfuD | Signed 4-byte integer, big-endian byte ordering. Reserved for future use. Always set to negative one (-1). |
| rfuE | Signed 4-byte integer, big-endian byte ordering. Reserved for future use. Always set to negative one (-1). |
| Copyright | Character string, ASCII character set. The CDF copyright notice. ¹⁰ This consists of a string of characters containing one or more lines of text with each line of text separated by a newline character (0x0A). If the total number of characters in the copyright is less than the size of this field, a NUL character |

¹⁰ Well, sort of a copyright.

(0x00) will be used to terminate the string. In that case, the characters beyond the NUL-terminator (up to the size of this field) are undefined. This field may be one of two sizes. Prior to CDF V2.5, this field consisted of 1945 characters (bytes).¹¹ Since the release of CDF V2.5 this field has been reduced to 256 characters (bytes).

| Field | Size | Comments |
|------------|----------|--|
| RecordSize | 8 bytes | |
| RecordType | 4 bytes | |
| GDRoffset | 8 bytes | |
| Version | 4 bytes | |
| Release | 4 bytes | |
| Encoding | 4 bytes | |
| Flags | 4 bytes | |
| rfuA | 4 bytes | |
| rfuB | 4 bytes | |
| Increment | 4 bytes | |
| rfuD | 4 bytes | |
| rfuE | 4 bytes | |
| Copyright | variable | 1945 or 256 bytes in length depending on the CDF distribution that created/modified the CDF. |

Figure 2.4: CDF Descriptor Record (CDR)

2.3 Global Descriptor Record

All dotCDF files contain a single Global Descriptor Record (GDR) at the file offset contained in the GDRoffset field of the CDR (described in Section 2.2). The GDR contains general information about the CDF (as does the CDR).

The GDR, shown in Figure 2.5, contains the following contiguous fields...

| | |
|------------|--|
| RecordSize | Signed 8-byte integer, big-endian byte ordering. The size in bytes of this GDR (including this field). |
| RecordType | Signed 4-byte integer, big-endian byte ordering. The value 2, which identifies this as the GDR. |
| rVDRhead | Signed 8-byte integer, big-endian byte ordering. The file offset of the first rVariable Descriptor Record (rVDR). The first rVDR contains a file offset to the next rVDR and so on. An rVDR will exist for each rVariable in the CDF. This field will contain 0x0000000000000000 if the CDF contains no rVariables. Beginning with CDF V2.1 the last rVDR will contain a file offset of 0x0000000000000000 for the file offset of the next rVDR (to indicate the end of the rVDRs). Prior to CDF V2.1 the “next VDR” file offset in the last rVDR is undefined. rVDRs are described in Section 2.6. |
| zVDRhead | Signed 8-byte integer, big-endian byte ordering. The file offset of the first zVariable Descriptor Record (zVDR). The first zVDR contains a file offset to the next zVDR and so on. A zVDR will exist for each zVariable in the CDF. Because zVariables were not supported by CDF until CDF V2.2, prior to CDF V2.2 this field is undefined. Beginning with CDF V2.2 this field will contain either a file offset to the |

¹¹ Much of which was space reserved for future use. That future use never occurred.

first zVDR or 0x0000000000000000 if the CDF contains no zVariables. The last zVDR will always contain 0x0000000000000000 for the file offset of the next zVDR (to indicate the end of the zVDRs). zVDRs are described in Section 2.6.

| | |
|-----------------------|---|
| ADRhead | Signed 8-byte integer, big-endian byte ordering. The file offset of the first Attribute Descriptor Record (ADR). The first ADR contains a file offset to the next ADR and so on. An ADR will exist for each attribute in the CDF. This field will contain 0x0000000000000000 if the CDF contains no attributes. Beginning with CDF V2.1 the last ADR will contain a file offset of 0x0000000000000000 for the file offset of the next ADR (to indicate the end of the ADRs). Prior to CDF V2.1 the "next ADR" file offset in the last ADR is undefined. ADRs are described in Section 2.4. |
| eof | Signed 8-byte integer, big-endian byte ordering. The end-of-file (EOF) position in the dotCDF file. This is the file offset of the byte that is one beyond the last byte of the last internal record. (This value is also the total number of bytes used in the dotCDF file.) Prior to CDF V2.1, this field is undefined. |
| NrVars | Signed 4-byte integer, big-endian byte ordering. The number of rVariables in the CDF. This will correspond to the number of rVDRs in the dotCDF file. |
| NumAttr | Signed 4-byte integer, big-endian byte ordering. The number of attributes in the CDF. This will correspond to the number of ADRs in the dotCDF file. |
| rMaxRec | Signed 4-byte integer, big-endian byte ordering. The maximum rVariable record number in the CDF. Note that variable record numbers are numbered beginning with zero (0). If no rVariable records exist, this value will be negative one (-1). |
| rNumDims | Signed 4-byte integer, big-endian byte ordering. The number of dimensions for rVariables. |
| NzVars | Signed 4-byte integer, big-endian byte ordering. The number of zVariables in the CDF. This will correspond to the number of zVDRs in the dotCDF file. Prior to CDF V2.2 this value will always be zero (0). |
| UIRhead | Signed 8-byte integer, big-endian byte ordering. The file offset of the first Unused Internal Record (UIR). The first UIR contains the file offset of the next UIR and so on. The last UIR contains a file offset of 0x0000000000000000 for the file offset of the next UIR (indicating the end of the UIRs). |
| rfuC | Signed 4-byte integer, big-endian byte ordering. Reserved for future use. Always set to zero (0). |
| LeapSecondLastUpdated | Signed 4-byte integer, big-endian byte ordering. The date of the last entry in the leap second table (in YYYYMMDD form). It is negative one (-1) for the previous version. A value of zero (0) is also accepted, which means a CDF was not created based on a leap second table. This field is applicable to CDFs with CDF_TIME_TT2000 data type. |
| rfuE | Signed 4-byte integer, big-endian byte ordering. Reserved for future use. Always set to negative one (-1). |
| rDimSizes | Signed 4-byte integers, big-endian byte ordering within each. |

Zero or more contiguous rVariable dimension sizes depending on the value of the rNumDims field described above.

| Field | Size | Comments |
|-----------------------|----------|---|
| RecordSize | 8 bytes | |
| RecordType | 4 bytes | |
| rVDRhead | 8 bytes | |
| zVDRhead | 8 bytes | |
| ADRhead | 8 bytes | |
| eof | 8 bytes | |
| NrVars | 4 bytes | |
| NumAttr | 4 bytes | |
| rMaxRec | 4 bytes | |
| rNumDims | 4 bytes | |
| NzVars | 4 bytes | |
| UIRhead | 8 bytes | |
| rfuC | 4 bytes | |
| LeapSecondLastUpdated | 4 bytes | |
| rfuE | 4 bytes | |
| rDimSizes | variable | Size depends on rNumDims field. If zero rVariable dimensions, this field will not be present. |

Figure 2.5: Global Descriptor Record (GDR)

2.4 Attribute Descriptor Record

An Attribute Descriptor Record (ADR) contains a description of an attribute in a CDF. There will be one ADR per attribute. The ADRhead field of the GDR contains the file offset of the first ADR.

Each ADR, as shown in Figure 2.6, contains the following contiguous fields...

| | |
|------------|---|
| RecordSize | Signed 8-byte integer, big-endian byte ordering. The size in bytes of this ADR (including this field). |
| RecordType | Signed 4-byte integer, big-endian byte ordering. The value 4, which identifies this as an ADR. |
| ADRnext | Signed 8-byte integer, big-endian byte ordering. The file offset of the next ADR. Beginning with CDF V2.1 the last ADR will contain a file offset of 0x0000000000000000 in this field (to indicate the end of the ADRs). Prior to CDF V2.1 this file offset is undefined in the last ADR. |
| AgrEDRhead | Signed 8-byte integer, big-endian byte ordering. The file offset of the first Attribute g/rEntry Descriptor Record (AgrEDR) for this attribute. The first AgrEDR contains a file offset to the next AgrEDR and so on. An AgrEDR will exist for each g/rEntry for this attribute. This field will contain 0x0000000000000000 if the attribute has no g/rEntries. Beginning with CDF V2.1 the last AgrEDR will contain a file offset of 0x0000000000000000 for the file offset of the next AgrEDR (to indicate the end of the AgrEDRs). Prior to CDF V2.1 the "next AgrEDR" file offset in the last AgrEDR is undefined. |

Note that the term g/rEntry is used to refer to an entry that may be either a gEntry or an rEntry. The type of entry described by an AgrEDR depends on the scope of the corresponding attribute. AgrEDRs of a global-scoped attribute describe gEntries. AgrEDRs of a variable-scoped attribute describe rEntries.

| | |
|------------|--|
| Scope | <p>Signed 4-byte integer, big-endian byte ordering. The intended scope of this attribute. The following internal values are possible...</p> <ol style="list-style-type: none">1 Global scope.2 Variable scope.3 Global scope assumed.4 Variable scope assumed. <p>Note that assumed scopes only exist prior to CDF V2.5.</p> |
| Num | <p>Signed 4-byte integer, big-endian byte ordering. This attribute's number. Attributes are numbered beginning with zero (0).</p> |
| NgrEntries | <p>Signed 4-byte integer, big-endian byte ordering. The number of g/rEntries for this attribute.</p> |
| MAXgrEntry | <p>Signed 4-byte integer, big-endian byte ordering. The maximum numbered g/rEntry for this attribute. g/rEntries are numbered beginning with zero (0). If there are no g/rEntries, this field will contain negative one (-1).</p> |
| rfuA | <p>Signed 4-byte integer, big-endian byte ordering. Reserved for future used. Always set to zero (0).</p> |
| AzEDRhead | <p>Signed 8-byte integer, big-endian byte ordering. The file offset of the first Attribute zEntry Descriptor Record (AzEDR) for this attribute. The first AzEDR contains a file offset to the next AzEDR and so on. An AzEDR will exist for each zEntry for this attribute. This field will contain 0x0000000000000000 if this attribute has no zEntries. The last AzEDR will contain a file offset of 0x0000000000000000 for the file offset of the next AzEDR (to indicate the end of the AzEDRs).</p> |
| NzEntries | <p>Signed 4-byte integer, big-endian byte ordering. The number of zEntries for this attribute. Prior to CDF V2.2 this field will always contain a value of zero (0).</p> |
| MAXzEntry | <p>Signed 4-byte integer, big-endian byte ordering. The maximum numbered zEntry for this attribute. zEntries are numbered beginning with zero (0). Prior to CDF V2.2 this field will always contain a value of negative one (-1).</p> |
| rfuE | <p>Signed 4-byte integer, big-endian byte ordering. Reserved for future use. Always set to negative one (-1).</p> |
| Name | <p>Character string, ASCII character set. The name of this attribute. This field is always 256 bytes in length. If the number of characters in the name is less than 256, a NUL character (0x00) will be used to terminate the string. In that case, the characters beyond the NUL-terminator (up to the size of this field) are undefined.</p> |

| Field | Size | Comments |
|------------|-----------|------------------------------|
| RecordSize | 8 bytes | |
| RecordType | 4 bytes | |
| ADRnext | 8 bytes | |
| AgrEDRhead | 8 bytes | |
| Scope | 4 bytes | |
| Num | 4 bytes | |
| NgrEntries | 4 bytes | |
| MAXgrEntry | 4 bytes | |
| rfuA | 4 bytes | |
| AzEDRhead | 8 bytes | |
| NzEntries | 4 bytes | |
| MAXzEntry | 4 bytes | |
| rfuE | 4 bytes | |
| Name | 256 bytes | Was 64 bytes in earlier V2.* |

Figure 2.6: Attribute Descriptor Record (ADR)

2.5 Attribute Entry Descriptor Record

An Attribute Entry Descriptor Record (AEDR) contains a description of an attribute entry. There are two types of AEDRs: AgrEDRs describing g/rEntries and AzEDRs describing zEntries.¹² The AgrEDRhead field of an ADR contains the file offset of the first AgrEDR for the corresponding attribute. Likewise, the AzEDRhead field of an ADR contains the file offset of the first AzEDR. The linked lists of AEDRs starting at AgrEDRhead and AzEDRhead will contain only AEDRs of that type - AgrEDRs or AzEDRs, respectively.

Note that the term g/rEntry is used to refer to an entry that may be either a gEntry or an rEntry. The type of entry described by an AgrEDR depends on the scope of the corresponding attribute. AgrEDRs of a global-scoped attribute describe gEntries. AgrEDRs of a variable-scoped attribute describe rEntries. The scope of an attribute is stored in the Scope field of the corresponding ADR.

Each AEDR, as shown in Figure 2.7, contains the following contiguous fields...

| | |
|------------|---|
| RecordSize | Signed 8-byte integer, big-endian byte ordering. The size in bytes of this AEDR (including this field). |
| RecordType | Signed 4-byte integer, big-endian byte ordering. Either the value 5 which identifies this as an AgrEDR or the value 9 if an AzEDR. Because zEntries were not supported until CDF V2.2, prior to CDF V2.2 AzEDRs will not occur in a dotCDF file. |
| AEDRnext | Signed 8-byte integer, big-endian byte ordering. The file offset of the next AEDR. Beginning with CDF V2.1 the last AEDR will contain a file offset of 0x0000000000000000 in this field (to indicate the end of the AEDRs). |
| AttrNum | Signed 4-byte integer, big-endian byte ordering. |

¹² Because the only difference between AgrEDRs and AzEDRs is the value of the RecordType field, they will be referred to as AEDRs throughout this document.

| | |
|----------|--|
| | The attribute number to which this entry corresponds. Attributes are numbered beginning with zero (0). |
| DataType | Signed 4-byte integer, big-endian byte ordering. The data type of this entry. The possible data type internal values are described in Section 5.3. |
| Num | Signed 4-byte integer, big-endian byte ordering. This entry's number: an entry number in a global attribute, or the variable number for an rVariable or zVariable in a variable attribute. Entries are numbered beginning with zero (0). |
| NumElems | Signed 4-byte integer, big-endian byte ordering. The number of elements of the data type (specified by the DataType field) for this entry. For character type, i.e., CDF_CHAR or CDF_UCHAR, it's the length of the string. For numeric type, it's the number of items, which is 1 for most cases. However, it can be multiple items. This field can not be zero (0) or less. |
| rfuA | Signed 4-byte integer, big-endian byte ordering. Reserved for future used. Always set to zero (0). |
| rfuB | Signed 4-byte integer, big-endian byte ordering. Reserved for future used. Always set to zero (0). |
| rfuC | Signed 4-byte integer, big-endian byte ordering. Reserved for future used. Always set to zero (0). |
| rfuD | Signed 4-byte integer, big-endian byte ordering. Reserved for future used. Always set to negative one (-1). |
| rfuE | Signed 4-byte integer, big-endian byte ordering. Reserved for future used. Always set to negative one (-1). |
| Value | This entry's value. This consists of the number of elements (specified by the NumElems field) of the data type (specified by the DataType field). This can be thought of as a 1-dimensional array of values (stored contiguously). The size of this field is the product of the number of elements and the size in bytes of each element. The encoding of the elements depends on the data encoding of the CDF (which is contained in the Encoding field of the CDR). The possible encodings are described in Section 5.3. |

| Field | Size | Comments |
|------------|----------|---|
| RecordSize | 8 bytes | |
| RecordType | 4 bytes | |
| AEDRnext | 8 bytes | |
| AttrNum | 4 bytes | |
| DataType | 4 bytes | |
| Num | 4 bytes | |
| NumElems | 4 bytes | |
| rfuA | 4 bytes | |
| rfuB | 4 bytes | |
| rfuC | 4 bytes | |
| rfuD | 4 bytes | |
| rfuE | 4 bytes | |
| Value | Variable | Size depends on the DataType and NumElems fields. |

Figure 2.7: Attribute Entry Descriptor Record (AEDR)

2.6 Variable Descriptor Record

A Variable Descriptor Record (VDR) contains a description of a variable in a CDF. There are two types of VDRs: rVDRs describing rVariables and zVDRs describing zVariables.¹³ The rVDRhead field of the GDR contains the file offset of the first rVDR. Likewise, the zVDRhead field of the GDR contains the file offset of the first zVDR. The linked lists of VDRs starting at rVDRhead and zVDRhead will contain only VDRs of that type - rVDRs or zVDRs, respectively. If this variable is compressed, a pointer to a Compressed Parameters Record (CPR) is set in the CPRorSPRoffset field.

Each VDR, as shown in Figure 2.8, contains the following contiguous fields...¹⁴

| | |
|------------|---|
| RecordSize | Signed 8-byte integer, big-endian byte ordering. The size in bytes of this VDR (including this field). |
| RecordType | Signed 4-byte integer, big-endian byte ordering. Either the value 3, which identifies this as an rVDR or the value 8 if a zVDR. |
| VDRnext | Signed 8-byte integer, big-endian byte ordering. The file offset of the next VDR. |
| DataType | Signed 4-byte integer, big-endian byte ordering. The data type of this entry. The possible data type internal values are described in Section 5.3. |
| MaxRec | Signed 4-byte integer, big-endian byte ordering. The maximum record number written to this variable. Variable records are numbered beginning at zero (0). If no records have been written to this variable, this field will contain negative one (-1). |
| VXRhead | Signed 8-byte integer, big-endian byte ordering. |

¹³ The term VDR is used when something applies to both rVDRs and zVDRs. The terms rVDR and zVDR will be used when a distinction must be made.

¹⁴ With the exceptions for rVariables being noted.

The file offset of the first Variable Index Record (VXR). VXRs are used in single-file CDFs to store the locations of Variable Value Records (VVRs). VVRs are used to store variable records in single-file CDFs. VXRs are described in Section 2.7 and VVRs are described in Section 2.8. The first VXR contains the file offset of the next VXR and so on. The last VXR contains a file offset of 0x00000000 for the file offset of the next VXR (to indicate the end of the VXRs). In single-file CDFs, if no records have been written to this variable, this field will contain a file offset of 0x0000000000000000.

For multi-file CDFs variable records are stored in separate files and this field will always contain a file offset of 0x00000000. The variable files of a multi-file CDF are described in Chapter 3.

| | |
|----------|--|
| VXRtail | Signed 8-byte integer, big-endian byte ordering. The file offset of the last VXR. See the VXRhead field above for a description of VXRs. |
| Flags | Signed 4-byte integer, big-endian byte ordering. Boolean flags, one per bit, describing some aspect of this variable. Bit numbering is described in Chapter 5. The meaning of each bit is as follows... <ul style="list-style-type: none"> <li style="margin-bottom: 10px;">0 The record variance of this variable. Set indicates a TRUE record variance. Clear indicates a FALSE record variance. <li style="margin-bottom: 10px;">1 Whether or not a pad value is specified for this variable. Set indicates that a pad value has been specified. Clear indicates that a pad value has not been specified. The PadValue field described below is only present if a pad value has been specified. <li style="margin-bottom: 10px;">2 Whether or not a compression method might be applied to this variable data. Set indicates that a compression is chosen by the user and the data might be compressed, depending on the data size and content. If the compressed data becomes larger than its uncompressed data, no compression is applied and the data are stored as uncompressed, even the compression bit is set. The compressed data is stored in Compressed Variable Value Record (CVVR) while uncompressed data go into Variable Value Record (VVR). Clear indicates that a compression will not be used. The CPRorSPRoffset field described below provides the offset of the Compressed Parameters Record if this compression bit is set and the compression used. <li style="margin-bottom: 10px;">3-31 Reserved for future use. These bits are always clear. |
| sRecords | Signed 4-byte integer, big-endian byte ordering. Type of sparse records: no sparserecords, padded sparserecords (using the default/defined pad value), or previous sparserecords (using the last written value). |
| rfuB | Signed 4-byte integer, big-endian byte ordering. Reserved for future use. Always set to zero (0). |
| rfuC | Signed 4-byte integer, big-endian byte ordering. Reserved for future use. Always set to negative one (-1). |
| rfuF | Signed 4-byte integer, big-endian byte ordering. Reserved for future use. Always set to negative one (-1). |
| NumElems | Signed 4-byte integer, big-endian byte ordering. The number of elements of the data type (specified by the DataType field) |

for this variable at each value. For character type, i.e., CDF_CHAR or CDF_UCHAR, it's the length of the string. For numeric type, it's the number of items, which is 1 for most cases. However, it can be multiple items. This field can not be zero (0) or less.

| | |
|----------------|---|
| Num | Signed 4-byte integer, big-endian byte ordering. This variable's number. Variables are numbered beginning with zero (0). Note that rVariables and zVariables are each numbered beginning with zero (0) and are considered two separate groups of variables. |
| CPRorSPRoffset | Signed 8-byte integer, big-endian byte ordering. CPR/SPR offset depending on bits set in 'Flags' and compression used. If neither compression nor sparse arrays, set to 0xFFFFFFFFFFFFFFFF. |
| BlockingFactor | Signed 4-byte integer, big-endian byte ordering. Blocking factor for this variable. |
| Name | Character string, ASCII character set. The name of this variable. This field is always 256 bytes in length. If the number of characters in the name is less than 256, a NUL character (0x00) will be used to terminate the string. In that case, the characters beyond the NUL-terminator (up to the size of this field) are undefined. |
| zNumDims | Signed 4-byte integer, big-endian byte ordering. The number of dimensions for this zVariable. This field will not be present if this is an rVDR (rVariable). |
| zDimSizes | Signed 4-byte integers, big-endian byte ordering within each. Zero or more contiguous dimension sizes for this zVariable depending on the value of the zNumDims field. This field will not be present if this is an rVDR (rVariable). |
| DimVarys | Signed 4-byte integers, big-endian byte ordering within each. Zero or more contiguous dimension variances. If this is an rVDR, the number of dimension variances will correspond to the value of the rNumDims field of the GDR. If this is a zVDR, the number of dimension variances will correspond to the value of the zNumDims field in this zVDR. A value of negative one (-1) indicates a TRUE dimension variance and a value of zero (0) indicates a FALSE dimension variance. |
| PadValue | The variable's pad value. If bit 1 of the Flags field of this VDR is clear, then a pad value has not been specified for this variable and this field will not be present. If a pad value has been specified, the size of this field depends on the number of elements and the size of the data type. The encoding of the elements depends on the encoding of the CDF (which is contained in the Encoding field of the CDR). The possible encodings are described in Section 5.3. |

| Field | Size | Comments |
|----------------|-----------|---|
| RecordSize | 8 bytes | |
| RecordType | 4 bytes | |
| VDRnext | 8 bytes | |
| DataType | 4 bytes | |
| MaxRec | 4 bytes | |
| VXRhead | 8 bytes | |
| VXRtail | 8 bytes | |
| Flags | 4 bytes | |
| SRecords | 4 bytes | |
| rfuB | 4 bytes | |
| rfuC | 4 bytes | |
| rfuF | 4 bytes | |
| NumElems | 4 bytes | |
| Num | 4 bytes | |
| CPRorSPRoffset | 8 bytes | |
| BlockingFactor | 4 bytes | |
| Name | 256 bytes | Was 64 bytes in earlier V2.* |
| zNumDims | | 4 bytes if a zVDR. Not present if an rVDR. |
| zDimSizes | 4 bytes | Size depends on the zNumDims field if a zVDR (but not present if zero dimensions). Not present if an rVDR. |
| DimVarys | 4 bytes | Size depends on the zNumDims field if a zVDR (but not present if zero dimensions). Size depends on the rNumDims field of the GDR if an rVDR (but not present if zero dimensions). |
| PadValue | Variable | Size depends on DataType and NumElems fields. Not present if bit 1 of Flags field is not set. |

Figure 2.8: Variable Descriptor Record (VDR)

2.7 Variable Index Record

Variable Index Records (VXRs) are used in single-file CDFs to store the file offsets of any lower level of VXRs, Variable Values Records (VVRs), or Compressed Variable Value Records (CVVRs). A VXR tree structure is present if a VXR points to another VXR(s). This can happen when a CDF file becomes very fragmented. At the lowest levels, the offsets in VXRs point to VVRs. To make a CDF file cleaner, keep VXRs, and their levels, as few as possible. The best performer is one (1) VXR and one (1) VVR for a variable's whole records.

VVRs contain a group of records written to a variable and are described in Section 2.8. VXRs (and VVRs) will not exist in the dotCDF file of a multi-file CDF (because the variable records are stored in separate files as described in Chapter 3).

The VXRhead field of a VDR in a single-file CDF contains the file offset of the first VXR for the corresponding variable. The first VXR contains the file offset of the next VXR and so on. As many VXRs as are necessary will exist (depending on the number of VVRs for the variable). The VXRtail field of a VDR contains the file offset of the last VXR for the corresponding variable.

Each VXR, as shown in Figure 2.9, contains the following contiguous fields...

| | |
|------------|---|
| RecordSize | Signed 8-byte integer, big-endian byte ordering. The size in bytes of this VXR (including this field). |
| RecordType | Signed 4-byte integer, big-endian byte ordering. The value 6, which identifies this as a VXR. |

| | |
|--------------|---|
| VXRnext | Signed 8-byte integer, big-endian byte ordering. The file offset of the next VXR. The last VXR will contain a file offset of 0x0000000000000000 in this field (to indicate the end of the VXRs). |
| Nentries | Signed 4-byte integer, big-endian byte ordering. The number of index entries in this VXR. This is the maximum number of VVRs that may be indexed using this VXR. ¹⁵ |
| NusedEntries | Signed 4-byte integer, big-endian byte ordering. The number of index entries actually used in this VXR. |
| First | Signed 4-byte integers, big-endian byte ordering within each. This is a contiguous array of variable record numbers with each record number being the first variable record in the corresponding VVR. The size of this array depends on the value of the Nentries field. The nth entry in this array corresponds to the nth entry in the Last and Offset fields. Unused entries in this array contain 0xFFFFFFFF. Note that variable records are numbered beginning with zero (0). |
| Last | Signed 4-byte integers, big-endian byte ordering within each. This is a contiguous array of variable record numbers with each record number being the last variable record in the corresponding VVR. The size of this array depends on the value of the Nentries field. The nth entry in this array corresponds to the nth entry in the First and Offset fields. Unused entries in this array contain 0xFFFFFFFF. Note that variable records are numbered beginning with zero (0). |
| Offset | Signed 8-byte integers, big-endian byte ordering within each. This is a contiguous array of file offsets with each being the file offset of the corresponding VVR, CVVR or a lower level of VXR. If the offset is pointing to a VXR, the prior, corresponding first/last fields are the record range this VXR tree will hold. The size of this array depends on the value of the Nentries field. The nth entry in this array corresponds to the nth entry in the First and Last fields. Unused entries in this array contain 0xFFFFFFFFFFFFFFFF. |

| Field | Size | Comments |
|--------------|----------|-------------------------------------|
| RecordSize | 8 bytes | |
| RecordType | 4 bytes | |
| VXRnext | 8 bytes | |
| Nentries | 4 bytes | |
| NusedEntries | 4 bytes | |
| First | variable | Size depends on the Nentries field. |
| Last | variable | Size depends on the Nentries field. |
| Offset | variable | Size depends on the Nentries field. |

Figure 2.9: Variable Index Record (VXR)

Consider the following example VXR contents (for a variable having only one VXR)...

```
RecordSize: 140
RecordType: 6
VXRnext: 0x0000000000000000
Nentries: 7
```

¹⁵ Since using the hierarchical scheme for the VXR indexing in V2.6, the maximum number of entries has been set as 7. Prior version has it as 10.

```

NusedEntries: 2
First:        0, 100, 0xFFFFFFFF, 0xFFFFFFFF, ...
Last:         99, 149, 0xFFFFFFFF, 0xFFFFFFFF, ...
Offset:       0x000000000000A400, 0x000000000000B554, 0xFFFFFFFFFFFFFFFF,
              0xFFFFFFFFFFFFFFFF, ...

```

There are two index entries being used. The first indicates that variable records 0 through 99 are stored in the VVR at file offset 0x0000A400 and the second indicates that variable records 100 through 149 are stored in the VVR at file offset 0x0000B554.

2.8 Variable Values Record

Variable Value Records (VVRs) are used to store one or more variable records in a single-file CDF. VVRs will not exist in multi-file CDFs (where variable records are stored in separate files). The contents of a variable record are described in Chapter 4.

Each VVR, as shown in Figure 2.10, contains the following contiguous fields...

- RecordSize Signed 8-byte integer, big-endian byte ordering.
The size in bytes of this VVR (including this field).

- RecordType Signed 4-byte integer, big-endian byte ordering.
The value 7, which identifies this as a VVR.

- Records A group of one or more variable records. The record numbers in this group will be contiguous. The size of this field depends on the number of variable records in the group and the size of each record. The size of each record will be the same and depends on the dimensionality, dimension variances, data type, and number of elements per value of the corresponding variable. These properties are discussed in Chapter 4. The encoding of the values in each variable record depends on the encoding of the CDF (which is stored in the Encoding field of the CDR). The possible encodings are described in Chapter 5.

| Field | Size | Comments |
|------------|----------|---|
| RecordSize | 8 bytes | |
| RecordType | 4 bytes | |
| Records | variable | Size depends on the number of variable records in this VVR and the variable's data type, number of elements per value, dimensionality, and dimension variances. |

Figure 2.10: Variable Values Record (VVR)

2.9 Compressed CDF Record

A Compressed CDF Record (CCR) is used to store the data from a compressed single-file CDF. A CCR is created when the whole CDF is compressed. It will not be created if only variables (some or even all) are compressed. Only two internal records exist in a fully compressed CDF. Other than a CCR, another record is a Compression Parameters Record (CPR), which is pointed to by the CCR. The CPR provides the compression information, e.g., compression method and level, etc., used to compress the CDF file. A CCR will not exist in multi-file CDFs.

Each CCR, as shown in Figure 2.11, contains the following contiguous fields...

| | |
|------------|---|
| RecordSize | Signed 8-byte integer, big-endian byte ordering. The size in bytes of this CCR (including this field). |
| RecordType | Signed 4-byte integer, big-endian byte ordering. The value 10, which identifies this as a CCR. |
| CPRoffset | Signed 8-byte integer, big-endian byte ordering. File offset to the Compressed Parameters Record (CPR) (bytes). |
| uSize | Signed 8-byte integer, big-endian byte ordering. Size of the CDF in its uncompressed form. This byte count does NOT include the 8-byte magic numbers, and 16-byte checksum if it exists. |
| rfuA | Signed 4-byte integer, big-endian byte ordering. Reserved for future use. Set to zero. |
| data | The compressed CDF data begins. |

| Field | Size | Comments |
|------------|----------|--|
| RecordSize | 8 bytes | |
| RecordType | 4 bytes | |
| CPRoffset | 8 bytes | |
| uSize | 8 bytes | |
| rfuA | 4 bytes | |
| data | variable | Compressed data size is RecordSize - 32 bytes. |

Figure 2.11: Compressed CDF Record (CCR)

2.10 Compressed Parameters Record

A Compressed Parameters Record (CPR) is used to keep the information as the compression method and level used to create a CDF or variable. This record is pointed to by either a CCR or a VDR. When a compression is applied to the whole CDF, the CPR is pointed to by the CCR. If a compression is only applied to a variable, a CPR is pointed to by a VDR. Currently, only Run-Length Encoding (RLE), Huffman (HUFF), Adaptive Huffman (AHUFF) and GNU GZIP compression algorithms are supported.¹⁶

Each CPR, as shown in Figure 2.12, contains the following contiguous fields...

| | |
|------------|---|
| RecordSize | Signed 8-byte integer, big-endian byte ordering. The size in bytes of this CPR (including this field). |
| RecordType | Signed 4-byte integer, big-endian byte ordering. The value 11, which identifies this as a CPR. |
| cType | Signed 4-byte integer, big-endian byte ordering. |

¹⁶ Due to a huge memory requirement, the GZIP compression is disabled for the PCs running the 16-bit DOS/Windows 3.x.

Type of compression: NO_COMPRESSION (0), RLE_COMPRESSION (1), HUFF_COMPRESSION (2), AHUFF_COMPRESSION (3) and GZIP_COMPRESSION (5)

rfuA Signed 4-byte integer, big-endian byte ordering.
Reserved for future use. Set to zero.

pCount Signed 4-byte integer, big-endian byte ordering.
Compression parameter count. Currently, it is 1.

cParms Signed 4-byte integer, big-endian byte ordering.
Compression level. For RLE, HUFF and AHUFF, cParms[0] is 0. For GZIP, it is between 1 and 9.

| Field | Size | Comments |
|------------|----------|------------------------|
| RecordSize | 8 bytes | |
| RecordType | 4 bytes | |
| cType | 4 bytes | |
| ruFA | 4 bytes | |
| pCount | 4 bytes | |
| cParms | variable | Size depends on pCount |

Figure 2.12: Compressed Parameters Record (CPR)

2.11 Sparseness Parameters Record

A Sparseness parameters Record (SPR) is used to store sparse array information used by a variable record in a CDF. Currently, it has not yet been implemented in the V2.6, V2.7 or V3.0 distribution.

Each SPR, as shown in Figure 2.13, contains the following contiguous fields...

RecordSize Signed 8-byte integer, big-endian byte ordering.
The size in bytes of this SPR (including this field).

RecordType Signed 4-byte integer, big-endian byte ordering.
The value 12, which identifies this as a SPR.

sArraysType Signed 4-byte integer, big-endian byte ordering.
include the magic numbers.

rfuA Signed 4-byte integer, big-endian byte ordering.
Reserved for future use. Set to zero.

pCount Signed 4-byte integer, big-endian byte ordering.
Sparseness parameter count.

sArraysParms Signed 4-byte integer, big-endian byte ordering.
Parameters for sparseness arrays.

| Field | Size | Comments |
|--------------|----------|------------------------|
| RecordSize | 8 bytes | |
| RecordType | 4 bytes | |
| sArraysType | 4 bytes | |
| rufA | 4 bytes | |
| pCount | 4 bytes | |
| sArraysParms | variable | Size depends on pCount |

Figure 2.13: Sparseness Parameters Record (SPR)

2.12 Compressed Variable Values Record

A Compressed Variable Values Record (CVVR) is used to store one section of compressed variable values records (VVRs) for a variable in a single-file CDF. This section of VVRs while uncompressed are contiguous in the physical file or scratch temporary file. CVVRs will not exist in multi-file CDFs.

Each CVVR, as shown in Figure 2.14, contains the following contiguous fields...

| | |
|------------|---|
| RecordSize | Signed 8-byte integer, big-endian byte ordering. The size in bytes of this CVVR (including this field). |
| RecordType | Signed 4-byte integer, big-endian byte ordering. The value 13, which identifies this as a CVVR. |
| rufA | Signed 4-byte integer, big-endian byte ordering. Reserved for future use. Set to zero. |
| cSize | Signed 8-byte integer, big-endian byte ordering. Size in bytes of the post-compressed data, which follows. |
| data | Compressed data. |

| Field | Size | Comments |
|------------|----------|----------------------------|
| RecordSize | 8 bytes | |
| RecordType | 4 bytes | |
| rufA | 4 bytes | |
| cSize | 8 bytes | |
| data | variable | Size is specified in cSize |

Figure 2.14: Compressed Variable Values Record (CVVR)

2.13 Unused Internal Record

Internal records in the dotCDF file of a CDF may become unused due to a number of reasons. When that occurs, the internal record is marked as being unused and is placed on a double-linked list of Unused Internal Records (UIRs). The UIRhead field of the GDR contains the file offset of the first UIR. The first UIR contains the file offset of the next UIR and so on. The last UIR contains a file offset of 0x00000000 as the file offset of the next UIR (to indicate the end of

the UIRs). Likewise, the last UIR contains the file offset of the previous UIR and so on. The first UIR contains a file offset of 0x00000000 as the file offset of the previous UIR (to indicate the start of the UIRs).

Each UIR, as shown in Figure 2.15, contains the following contiguous fields...

| | |
|------------|--|
| RecordSize | Signed 8-byte integer, big-endian byte ordering. The size in bytes of this UIR (including this field). |
| RecordType | Signed 4-byte integer, big-endian byte ordering. The value -1, which identifies this as a UIR. (See the section on UUIRs below for a slight complication.) |
| NextUIR | Signed 8-byte integer, big-endian byte ordering. The file offset of the next UIR. The last UIR will contain a file offset of 0x00000000 in this field (to indicate the end of the UIRs). |
| PrevUIR | Signed 8-byte integer, big-endian byte ordering. The file offset of the previous UIR. The first UIR will contain a file offset of 0x00000000 in this field (to indicate the start of the UIRs). |
| Remainder | Zero or more unused bytes, which constitute the remainder of the UIR. The contents of this field are undefined. |

| Field | Size | Comments |
|------------|----------|---------------------------------------|
| RecordSize | 8 bytes | |
| RecordType | 4 bytes | |
| NextUIR | 8 bytes | |
| PrevUIR | 8 bytes | |
| Remainder | variable | Size depends on the size of this UIR. |

Figure 2.15: Unused Internal Record (UIR)

It is possible to have internal records in the dotCDF file of a CDF that are unused but are not considered UIRs. Let's call them Unsociable Unused Internal Records (UUIRs) because they are not on the double-linked list of UIRs that begins at the file offset contained in the UIRhead field of the GDR. Beginning with CDF V2.5, UUIRs may also exist due to special circumstances (e.g., if an internal record that is no longer needed is less than 16 bytes which means that it is too small to be made a UIR).

Each UUIR, as shown in Figure 2.16, contains the following contiguous fields...

| | |
|------------|---|
| RecordSize | Signed 8-byte integer, big-endian byte ordering. The size in bytes of this UUIR (including this field). |
| RecordType | Signed 4-byte integer, big-endian byte ordering. The value -1, which identifies this as a UUIR. Unfortunately this is the same value as that used for UIRs. UUIRs are distinguished from UIRs by the fact that they are not on the double-linked list of UIRs. |
| Remainder | Zero or more unused bytes that constitute the remainder of the UUIR. The contents of this field are undefined. |

| Field | Size | Comments |
|------------|----------|--|
| RecordSize | 8 bytes | |
| RecordType | 4 bytes | |
| Remainder | variable | Size depends on the size of this UUIR. |

Figure 2.16: Unsociable Unused Internal Record (UUIR)

Chapter 3

3 Variable Files

In multi-file CDFs, variable records are stored in separate files - one per variable. Assuming a base name of <cdfname>, the CDF would consist of the file named <cdfname>.cdf,¹⁷ a file named <cdfname>.v<i> for each rVariable (where <i> is the rVariable number), and a file named <cdfname>.z<j> for each zVariable (where <j> is the zVariable number). Note that variables are numbered beginning with zero (0). For example, a multi-file CDF named sample having three rVariables would consist of the files sample.cdf, sample.v0, sample.v1, and sample.v2.

Within each variable file are stored the corresponding variable records. The variable records are stored contiguously beginning with record number zero (0) with no gaps in the record numbering. The number of records will correspond to the MaxRec field of the variable's VDR (described in Section 2.6). The size of each variable record will be the same and depends on the dimensionality, dimension variances, data type, and number of elements per value of the corresponding variable. These properties are discussed in Chapter 4. The encoding of the values in each variable record depends on the encoding of the CDF (which is stored in the Encoding field of the CDR). The possible encodings are described in Chapter 5.

¹⁷ On VMS and DOS systems, the file names/extensions would be uppercase.

Chapter 4

4 Variable Records

Variable records contain the values written to a variable. Each variable record contains one variable array. The physical layout of a variable array depends on the dimensionality and dimension variances of the variable and the variable majority of the CDF. The dimensionality of an rVariable is contained in the rNumDims and rDimSizes fields of the GDR. The dimensionality of a zVariable is contained in the zNumDims and rDimSizes fields of the corresponding zVDR. Dimension variances are contained in the DimVarys field of the corresponding rVDR/zVDR. The CDF's variable majority is contained in bit 0 of the Flags field of the CDR. Note also that each variable array value consists of some number of elements of the variable's data type. A variable's data type and number of elements of that data type at each variable value are contained in the DataType and NumElems fields of the corresponding rVDR/zVDR.

Dimension variances allow a conceptual view of a physical variable array. For each array dimension, if the corresponding dimension variance is TRUE, then the dimension actually exists. If the dimension variance is FALSE, then the dimension is virtual and is not physically stored. This would probably be a good time for an example. Assume a variable with the following characteristics...

| | |
|----------------------|------------|
| Data Type | CDF_REAL4 |
| Number of Elements | 1 |
| Number of Dimensions | 2 |
| Dimension Sizes | 3,5 |
| Dimension Variances | TRUE,FALSE |

The conceptual view of this variable array is that of a 3 by 5 2-dimensional array (represented by the syntax 2:[3,5]). The TRUE,FALSE dimension variances indicate that the first dimension is real (physically stored) but that the second dimension is virtual (not physically stored). When an application accesses a value in this variable array two dimension indices are specified, one per dimension (represented by the syntax (i,j) where i and j are the dimension indices). The first index is used to physically position to a value in the array (because the corresponding dimension variance is TRUE). The second index, however, is essentially ignored because the corresponding dimension variance of FALSE indicates that the second dimension is virtual and is not physically stored. Conceptually, all values along the second dimension are the same (and are the one value which is physically stored). This means that (i,0), (i,1), (i,2), (i,3), and (i,4) all map to the same physical location in the variable array for any given first dimension index (i). For this variable record stored at a file offset of n (in the dotCDF file or a variable file), the conceptual values would map to the physical values as follows...

| File Offset of Physical Value | Indices of Conceptual Value(s) |
|-------------------------------|--------------------------------|
| n | (0,0),(0,1),(0,2),(0,3),(0,4) |
| n+4 | (1,0),(1,1),(1,2),(1,3),(1,4) |
| n+8 | (2,0),(2,1),(2,2),(2,3),(2,4) |

Note that only three values are physically stored with each consisting of four bytes (which is the size of one element of the CDF_REAL4 data type).

Had the dimension variances been FALSE,TRUE instead, the conceptual to physical mapping would be as follows...

| File Offset of Physical Value | Indices of Conceptual Value(s) |
|-------------------------------|--------------------------------|
| n | (0,0),(1,0),(2,0) |
| n+4 | (0,1),(1,1),(2,1) |
| n+8 | (0,2),(1,2),(2,2) |
| n+12 | (0,3),(1,3),(2,3) |
| n+16 | (0,4),(1,4),(2,4) |

In this case five values are physically stored and it is along the first dimension that all values are conceptually the same.

It is not until two or more of the dimensions are physically stored (having dimension variances of TRUE) that the variable majority of the CDF has an effect. Row majority means that the first dimension changes slowest in the physical storage of the array and column majority means that the last dimension changes the slowest. Assume that in our example the dimension variances are TRUE,TRUE. The physical layout of the array values for each variable majority would be as follows...

| File Offset of Physical Value | Indices of Conceptual Value(s), Row Majority | Indices of Conceptual Value(s), Column Majority |
|-------------------------------|--|---|
| n | (0,0) | (0,0) |
| n+4 | (0,1) | (1,0) |
| n+8 | (0,2) | (2,0) |
| n+12 | (0,3) | (0,1) |
| n+16 | (0,4) | (1,1) |
| n+20 | (1,0) | (2,1) |
| n+24 | (1,1) | (0,2) |
| n+28 | (1,2) | (1,2) |
| n+32 | (1,3) | (2,2) |
| n+36 | (1,4) | (0,3) |
| n+40 | (2,0) | (1,3) |
| n+44 | (2,1) | (2,3) |
| n+48 | (2,2) | (0,4) |
| n+52 | (2,3) | (1,4) |
| n+56 | (2,4) | (2,4) |

Note that an application's conceptual view of the variable array does not depend on the variable majority. When an application accesses the value at indices (i,j) the proper value will be accessed. The physical location of that value, however, depends very much on the variable majority of the CDF.

0-dimensional and 1-dimensional variables are relatively simple. The variable array of a 0-dimensional variable consists of one physically stored value. 1-dimensional variable arrays are stored as a vector of one or more physical values when the dimension variance is TRUE or just a single physically stored value when the dimension variance is FALSE (with all of the values along the dimension being conceptually the same).

When a variable value consists of more than one element (e.g., character data having the CDF_CHAR data type), all of the elements of that value are stored contiguously with the first element being at the lowest file offset.

The size in bytes of a variable record is the product of the size in bytes of the data type, the number of elements of the data type at each variable value, and the size of each dimension having a variance of TRUE.

As a final example consider a variable with the following characteristics...

| | |
|----------------------|-----------------|
| Data Type | CDF_CHAR |
| number of Elements | 5 |
| number of Dimensions | 3 |
| Dimension Sizes | 2,3,4 |
| Dimension Variances | TRUE,FALSE,TRUE |

The conceptual value to physical value mapping for each majority would be as follows...

| File Offset of Physical Value | Indices of Conceptual Value(s), Row Majority | Indices of Conceptual Value(s), Column Majority |
|----------------------------------|---|--|
| n | (0,0,0),(0,1,0),(0,2,0) | (0,0,0),(0,1,0),(0,2,0) |
| n+5 | (0,0,1),(0,1,1),(0,2,1) | (1,0,0),(1,1,0),(1,2,0) |
| n+10 | (0,0,2),(0,1,2),(0,2,2) | (0,0,1),(0,1,1),(0,2,1) |
| n+15 | (0,0,3),(0,1,3),(0,2,3) | (1,0,1),(1,1,1),(1,2,1) |
| n+20 | (1,0,0),(1,1,0),(1,2,0) | (0,0,2),(0,1,2),(0,2,2) |
| n+25 | (1,0,1),(1,1,1),(1,2,1) | (1,0,2),(1,1,2),(1,2,2) |
| n+30 | (1,0,2),(1,1,2),(1,2,2) | (0,0,3),(0,1,3),(0,2,3) |
| n+35 | (1,0,3),(1,1,3),(1,2,3) | (1,0,3),(1,1,3),(1,2,3) |

In this example each variable record would consist of 40 bytes (which is the product of the size in bytes of one element of the data type [1], the number of elements of the data type at each variable value [5], the size of the first dimension [2], and the size of the last dimension [4]).

Chapter 5

5 Encodings

5.1 *Data Representations*

5.1.1 Bits

The following sections will refer to fields of one or more bits. In all cases the lowest numbered bit is the least significant.

5.1.2 Bytes

A byte consists of eight bits numbered 0 through 7 (with bit 0 being the least significant). When values consisting of more than one byte are referenced, the lowest numbered byte is stored at the lowest file offset. (The lowest numbered byte is not necessarily the least significant byte.)

5.1.3 Integers

Integers consist of one, two, four, and eight bytes. 1-byte integers contain eight bits numbered 0 through 7. 2-byte integers contain 16 bits numbered 0 through 15. 4-byte integers contain 32 bits numbered 0 through 31. . 8-byte integers contain 64 bits numbered 0 through 63. In each case bit 0 is the least significant bit.

Signed integers are stored in two's-complement binary notation. For 1-byte integers this provides a range of values from -128 through 127. For 2-byte integers this provides a range of values from -32768 through 32767. For 4-byte integers this provides a range of values from -2147483648 through 2147483647. For 8-byte integers this provides a range of values from -9223372036854775808 through 9223372036854775807.

Unsigned integers are stored in binary notation. For 1-byte integers this provides a range of values from 0 through 255. For 2-byte integers this provides a range of values from 0 through 65535. For 4-byte integers this provides a range of values from 0 through 4294967295.

Little-endian integers are stored with the least-significant byte first (i.e., at the lowest file offset) and big-endian integers are stored with the most-significant byte first. Table 5.1 illustrates little-endian and big-endian byte orderings.

| | Little-Endian | | Big-Endian | |
|----------------|---------------|------------|-------------|------------|
| | Byte/Offset | Contents | Byte/Offset | Contents |
| 2-byte integer | 0 | bits 0-7 | 0 | bits 8-15 |
| | 1 | bits 8-15 | 1 | bits 0-7 |
| 4-byte integer | 0 | bits 0-7 | 0 | bits 24-31 |
| | 1 | bits 8-15 | 1 | bits 16-23 |
| | 2 | bits 16-23 | 2 | bits 8-15 |
| | 3 | bits 24-31 | 3 | bits 0-7 |
| 8-byte integer | 0 | bits 0-7 | 0 | bits 56-63 |
| | 1 | bits 8-15 | 1 | bits 48-55 |
| | 2 | bits 16-23 | 2 | bits 40-47 |
| | 3 | bits 24-31 | 3 | bits 32-39 |
| | 4 | bits 32-39 | 4 | bits 24-31 |
| | 5 | bits 40-47 | 5 | bits 16-23 |
| | 6 | bits 48-55 | 6 | bits 8-15 |
| | 7 | bits:56-63 | 7 | bits 0-7 |

Table 5.1: Little-Endian vs. Big-Endian

5.1.4 Floating-Point

Several floating-point encodings are possible in a CDF. Each is described in the following sections. Note that a loss of precision may occur when converting between the various encodings because of differences in the number of mantissa bits. Likewise, there are differences in the minimum and maximum magnitudes that may be represented because of differences in the number of exponent bits. Appendix A illustrates how the different single-precision floating-point encodings map to actual floating-point values and Appendix B illustrates the same for double-precision floating-point encodings.

IEEE 754 Single-Precision Floating-Point

IEEE¹⁸ 754 single-precision floating-point values consist of four bytes containing one sign bit, eight exponent bits (numbered 0 through 7), and 23 mantissa bits (numbered 0 through 22). IEEE 754 single-precision floating-point values are stored in one of two ways: little-endian or big-endian. The arrangements of the bits are shown in Tables 5.2 and 5.3, respectively.

| Byte/Offset | Bit(s) | Contents |
|-------------|--------|----------------------------|
| 0 | 0-7 | mantissa bits 0-7 |
| 1 | 0-7 | mantissa bits 8-15 |
| 2 | 0-6 | mantissa bits 16-22 |
| | 7 | exponent bit 0 |
| 3 | 0-6 | exponent bits 1-7 |
| | 7 | sign bit (negative if set) |

Table 5.2: IEEE 754, Single-Precision Floating-Point, Little-Endian

Digital's F_FLOAT Single-Precision Floating-Point

¹⁸ The Institute of Electrical and Electronics Engineers, Inc.

Digital's¹⁹ F_FLOAT single-precision floating-point values consist of four bytes containing one sign bit, eight exponent bits (numbered 0 through 7), and 23 mantissa bits (numbered 0 through 22). The arrangement of the bits is shown in Table 5.4.

| Byte/Offset | Bit(s) | Contents |
|-------------|--------|----------------------------|
| 0 | 0-6 | exponent bits 1-7 |
| | 7 | sign bit (negative if set) |
| 1 | 0-6 | mantissa bits 16-22 |
| | 7 | exponent bit 0 |
| 2 | 0-7 | mantissa bits 8-15 |
| 3 | 0-7 | mantissa bits 0-7 |

Table 5.3: IEEE 754, Single-Precision Floating-Point, Big-Endian

| Byte/Offset | Bit(s) | Contents |
|-------------|--------|----------------------------|
| 0 | 0-6 | mantissa bits 16-22 |
| | 7 | exponent bit 0 |
| 1 | 0-6 | exponent bits 1-7 |
| | 7 | sign bit (negative if set) |
| 2 | 0-7 | mantissa bits 0-7 |
| 3 | 0-7 | mantissa bits 8-15 |

Table 5.4: Digital's F_FLOAT, Single-Precision Floating-Point

IEEE 754 Double-Precision Floating-Point

IEEE 754 double-precision floating-point values consist of eight bytes containing one sign bit, eleven exponent bits (numbered 0 through 10), and 52 mantissa bits (numbered 0 through 51). IEEE 754 double-precision floating-point values are stored in one of two ways: little-endian or big-endian. The arrangements of the bits are shown in Tables 5.5 and 5.6, respectively.

| Byte/Offset | Bit(s) | Contents |
|-------------|--------|----------------------------|
| 0 | 0-7 | mantissa bits 0-7 |
| 1 | 0-7 | mantissa bits 8-15 |
| 2 | 0-7 | mantissa bits 16-23 |
| 3 | 0-7 | mantissa bits 24-31 |
| 4 | 0-7 | mantissa bits 32-39 |
| 5 | 0-7 | mantissa bits 40-47 |
| 6 | 0-3 | mantissa bits 48-51 |
| | 4-7 | exponent bits 0-3 |
| 7 | 0-6 | exponent bits 4-10 |
| | 7 | sign bit (negative if set) |

Table 5.5: IEEE 754, Double-Precision Floating-Point, Little-Endian

¹⁹ Digital Equipment Corporation

| Byte/Offset | Bit(s) | Contents |
|-------------|--------|----------------------------|
| 0 | 0-6 | exponent bits 4-10 |
| | 7 | sign bit (negative if set) |
| 1 | 0-3 | mantissa bits 48-51 |
| | 4-7 | exponent bits 0-3 |
| 2 | 0-7 | mantissa bits 40-47 |
| 3 | 0-7 | mantissa bits 32-39 |
| 4 | 0-7 | mantissa bits 24-31 |
| 5 | 7-7 | mantissa bits 16-23 |
| 6 | 0-7 | mantissa bits 8-15 |
| 7 | 0-7 | mantissa bits 0-7 |

Table 5.6: IEEE 754, Double-Precision Floating-Point, Big-Endian

Digital's D_FLOAT Double-Precision Floating-Point

Digital's D_FLOAT double-precision floating-point values consist of eight bytes containing one sign bit, eight exponent bits (numbered 0 through 7), and 55 mantissa bits (numbered 0 through 54). The arrangement of the bits is shown in Table 5.7.

| Byte/Offset | Bit(s) | Contents |
|-------------|--------|----------------------------|
| 0 | 0-6 | mantissa bits 48-54 |
| | 7 | exponent bit 0 |
| 1 | 0-6 | exponent bits 1-7 |
| | 7 | sign bit (negative if set) |
| 2 | 0-7 | mantissa bits 32-39 |
| 3 | 0-7 | mantissa bits 40-47 |
| 4 | 0-7 | mantissa bits 16-23 |
| 5 | 7-7 | mantissa bits 24-31 |
| 6 | 0-7 | mantissa bits 0-7 |
| 7 | 0-7 | mantissa bits 8-15 |

Table 5.7: Digital's D_FLOAT, Double-Precision Floating-Point

Digital's G_FLOAT Double-Precision Floating-Point

Digital's G_FLOAT double-precision floating-point values consist of eight bytes containing one sign bit, eleven exponent bits (numbered 0 through 10), and 52 mantissa bits (numbered 0 through 51). The arrangement of the bits is shown in Table 5.8.

| Byte/Offset | Bit(s) | Contents |
|-------------|--------|----------------------------|
| 0 | 0-3 | mantissa bits 48-51 |
| | 4-7 | exponent bits 0-3 |
| 1 | 0-6 | exponent bits 4-10 |
| | 7 | sign bit (negative if set) |
| 2 | 0-7 | mantissa bits 32-39 |
| 3 | 0-7 | mantissa bits 40-47 |
| 4 | 0-7 | mantissa bits 16-23 |
| 5 | 7-7 | mantissa bits 24-31 |
| 6 | 0-7 | mantissa bits 0-7 |
| 7 | 0-7 | mantissa bits 8-15 |

Table 5.8: Digital's G_FLOAT, Double-Precision Floating-Point

5.2 *Control Information*

Two types of data are stored in a CDF - control information and application data. Control information is used to manage the application data stored in a CDF. A user application generally does not have access to the control information.²⁰ Throughout this document, individual pieces of control information will also be referred to as “internal values.”

5.2.1 *Integer Values*

Integer control information is stored in 4-byte or 8-byte signed or unsigned integers with big-endian byte ordering. Two's-complement is used for signed integers.

5.2.2 *Character Strings*

Character string control information is stored using the ASCII character set. The character strings are NUL-terminated²¹ unless the number of characters is exactly equal to the size of the field containing the character string.

5.3 *Application Data*

Application data consists of attribute entry values (commonly referred to as “metadata”) and variable values (simply referred to as “data”). Note that some of the control information stored in a CDF could also be considered application metadata (e.g., attribute and variable names, the CDF's data encoding and variable majority, and variable dimensionalities). For the purpose of this document, however, these internal values will be considered control information.

²⁰ An exception to this would be the indexing statistics provided to an application by the CDF library for variables in a single-file CDF.

²¹ The ASCII NUL character (an integer value of 0x00).

Application data values are stored according to the data encoding of the CDF. A CDF's data encoding is stored in the CDF Descriptor Record (CDR) described in Section 2.2. Application data values are also stored as one of the supported CDF data types. Table 5.9 lists the supported data types and the corresponding internal values used to identify each data type.

The possible data encodings for a CDF correspond to the platforms on which the CDF software distribution is supported. Table 5.10 lists the currently supported data encodings along with the corresponding internal values used to identify each data encoding.

Table 5.11 shows how each of the supported data types are stored for a particular data encoding. Note that many of the data encodings are actually stored in the same way. Table 5.11 shows the equivalent data encodings.

| Data Type | Internal Value | Description |
|---------------------------|----------------|---|
| CDF_INT1 | 1 | 1-byte, signed integer. |
| CDF_INT2 | 2 | 2-byte, signed integer. |
| CDF_INT4 | 4 | 4-byte, signed integer. |
| CDF_INT8 | 8 | 8-byte, signed integer. |
| CDF_UINT1 | 11 | 1-byte, unsigned integer. |
| CDF_UINT2 | 12 | 2-byte, unsigned integer. |
| CDF_UINT4 | 14 | 4-byte, unsigned integer. |
| CDF_BYTE ²² | 41 | 1-byte, signed integer. |
| CDF_REAL4 | 21 | 4-byte, single-precision floating-point. |
| CDF_REAL8 | 22 | 8-byte, double-precision floating-point. |
| CDF_FLOAT ²³ | 44 | 4-byte, single-precision floating-point. |
| CDF_DOUBLE ²⁴ | 45 | 8-byte, double-precision floating-point. |
| CDF_EPOCH ²⁵ | 31 | 8-byte, double-precision floating-point. |
| CDF_EPOCH16 ²⁶ | 32 | 2 8-byte, double-precision floating-point. |
| CDF_TIME_TT2000 | 33 | 8-byte, signed integer. ²⁷ |
| CDF_CHAR | 51 | 1-byte, signed character (ASCII). ²⁸ |
| CDF_UCHAR | 52 | 1-byte, unsigned character (ASCII) |

Table 5.9: Supported Data Types

| Data Encoding | Internal Value | Description |
|---------------------|----------------|--|
| NETWORK_ENCODING | 1 | eXternal Data Representation |
| SUN_ENCODING | 2 | Sun representation |
| VAX_ENCODING | 3 | VAX representation |
| DECSTATION_ENCODING | 4 | DECstation representation |
| SGI_ENCODING | 5 | SGi representation |
| IBMP_C_ENCODING | 6 | Intel Windows, Mac OS Intel and Solaris Intel representation |
| IBMRS_ENCODING | 7 | IBM RS-6000 representation |
| PPC_ENCODING | 9 | Macintosh Power PC representation |

²² CDF_BYTE values are equivalent to CDF_INT1 values.

²³ CDF_FLOAT values are equivalent to CDF_REAL4 values.

²⁴ CDF_DOUBLE values are equivalent to CDF_REAL8 values.

²⁵ CDF_EPOCH values are equivalent to CDF_REAL8 values. CDF_EPOCH is used to store date/time values (as the number of milliseconds since 1-Jan-0000 00:00:00.000).

²⁶ CDF_EPOCH16 values use 2 CDF_REAL8 values. While it is similar to CDF_EPOCH, it can store much higher resolution in a fraction of a second, down to pico-seconds.

²⁷ CDF_TIME_TT2000 values, in 8-byte signed long, are nano-seconds from J2000 (2000-01-01T12:00:00.000000000) with leap seconds included.

²⁸ Both signed and unsigned character data types are provided for applications that may want to distinguish between the two. Note that attribute entries and variable values of this type are never NUL-terminated.

| | | |
|--------------------|----|--|
| HP_ENCODING | 11 | HP 9000 series representation |
| NeXT_ENCODING | 12 | NeXT representation |
| ALPHAOSF1_ENCODING | 13 | DEC Alpha/OSF1 representation |
| ALPHAVMSd_ENCODING | 14 | DEC Alpha/OpenVMS representation. Double-precision floating-point values in D_FLOAT encoding. |
| ALPHAVMSg_ENCODING | 15 | DEC Alpha/OpenVMS representation. Double-precision floating-point values in G_FLOAT encoding. |
| ALPHAVMSi_ENCODING | 16 | DEC Alpha/OpenVMS representation. Single/Double-precision floating-point values in IEEE 754 encoding. |

| Data | CDF_INT8 CDF_TIME_ TT2000 | CDF_BYTE CDF_INT1 CDF_UINT1 | CDF_INT2 CDF_UINT2 | CDF_INT4 CDF_UINT4 | CDF_REAL4 CDF_FLOAT | CDF_REAL8 CDF_DOUBLE CDF_EPOCH CDF_EPOCH16 | CDF_CHAR CDF_UCHAR |
|---|---|-----------------------------------|---|---|--|--|-----------------------|
| NETWORK_ENCODING SUN_ENCODING NeXT_ENCODING MAC_ENCODING SGi_ENCODING IBMRS_ENCODING | 8-byte integer, big- endian | 1-byte integer | 2-byte integer, big- endian | 4-byte integer, big- endian | IEEE 754 Single- precision floating-point, big-endian | IEEE 754 Double- precision floating-point, big-endian | ASCII character set |
| DECSTATION_ENCODING IBMPC_ENCODING ALPHAOSF1_ENCODING ALPHAVMSi_ENCODING | 8-byte integer, little- endian | 1-byte integer | 2-byte integer, little- endian | 4-byte integer, little- endian | IEEE 754 Single- precision floating-point, little-endian | IEEE 754 Double- precision floating-point, little-endian | ASCII character set |
| VAX_ENCODING ALPHAVMSd_ENCODING | 8-byte integer, little- endian | 1-byte integer | 2-byte integer, little- endian | 4-byte integer, little- endian | Digital's F_FLOAT Single- precision floating-point | Digital's D_FLOAT Double- precision floating-point | ASCII character set |
| ALPHAVMSg_ENCODING | 8-byte integer, little- endian | 1-byte integer | 2-byte integer, little- endian | 4-byte integer, little- endian | Digital's F_FLOAT Single- precision floating-point | Digital's G_FLOAT Double- precision floating-point | ASCII character set |

Error! No index entries found.

Table 5.11: Data Encodings vs. Data Types

Appendix A

A.1 Single-Precision Floating-Point

This appendix presents the exponent and mantissa values for a variety of single-precision floating-point values using Digital's F_FLOAT and the IEEE 754 encoding. The sign bit is not shown but when the sign bit is clear (0x0) the floating-point value is positive and when the sign bit is set (0x1) the value is negative. Section 5.1.4 illustrates how these exponent and mantissa values are arranged in a particular single-precision floating-point value.

| Value | Digital's F_FLOAT | | IEEE 754 | |
|------------------|-------------------|------------------------|----------|----------|
| | Exponent | Mantissa | Exponent | Mantissa |
| 0.0000000000e+00 | 0x00 | 0x000000 ²⁹ | 0x00 | 0x000000 |
| 0.0000000000e+00 | 0x00 | 0x000001 | | |
| 0.0000000000e+00 | 0x00 | 0x000002 | | |
| . | | | | |
| . | | | | |
| . | | | | |
| 0.0000000000e+00 | 0x00 | 0x7FFFFE | | |
| 0.0000000000e+00 | 0x00 | 0x7FFFFF | | |
| 1.4012984643e-45 | | | 0x00 | 0x000001 |
| 2.8025969286e-45 | | | 0x00 | 0x000002 |
| 4.2038953930e-45 | | | 0x00 | 0x000003 |
| 5.6051938573e-45 | | | 0x00 | 0x000004 |
| . | | | | |
| . | | | | |
| . | | | | |
| 2.9387302719e-39 | | | 0x00 | 0x1FFFFC |
| 2.9387316732e-39 | | | 0x00 | 0x1FFFFD |
| 2.9387330745e-39 | | | 0x00 | 0x1FFFFE |
| 2.9387344758e-39 | | | 0x00 | 0x1FFFFF |
| 2.9387358771e-39 | 0x01 | 0x000000 | 0x00 | 0x200000 |
| 2.9387362274e-39 | 0x01 | 0x000001 | | |

²⁹ If the sign bit is set (-0.0), a %SYSTEM-F-ROPRAnD fatal error (on VAXes running VMS/OpenVMS) or a %SYSTEM-F-HPARITH fatal error (on DEC Alphas running OpenVMS) will occur if the value is used.

| | | | | |
|------------------|------|----------|------|----------|
| 2.9387365777e-39 | 0x01 | 0x000002 | | |
| 2.9387369280e-39 | 0x01 | 0x000003 | | |
| 2.9387372784e-39 | 0x01 | 0x000004 | 0x00 | 0x200001 |
| 2.9387376287e-39 | 0x01 | 0x000005 | | |
| 2.9387379790e-39 | 0x01 | 0x000006 | | |
| 2.9387383293e-39 | 0x01 | 0x000007 | | |
| 2.9387386797e-39 | 0x01 | 0x000008 | 0x00 | 0x200002 |
| . | | | | |
| . | | | | |
| . | | | | |
| 5.8774689515e-39 | 0x01 | 0x7FFFF8 | 0x00 | 0x3FFFFE |
| 5.8774693018e-39 | 0x01 | 0x7FFFF9 | | |
| 5.8774696522e-39 | 0x01 | 0x7FFFFA | | |
| 5.8774700025e-39 | 0x01 | 0x7FFFFB | | |
| 5.8774703528e-39 | 0x01 | 0x7FFFFC | 0x00 | 0x3FFFFF |
| 5.8774707031e-39 | 0x01 | 0x7FFFFD | | |
| 5.8774710535e-39 | 0x01 | 0x7FFFFE | | |
| 5.8774714038e-39 | 0x01 | 0x7FFFFF | | |
| . | | | | |
| . | | | | |
| . | | | | |
| 5.8774717541e-39 | 0x02 | 0x000000 | 0x00 | 0x400000 |
| 5.8774724548e-39 | 0x02 | 0x000001 | | |
| 5.8774731554e-39 | 0x02 | 0x000002 | 0x00 | 0x400001 |
| 5.8774738561e-39 | 0x02 | 0x000003 | | |
| 5.8774745567e-39 | 0x02 | 0x000004 | 0x00 | 0x400002 |
| . | | | | |
| . | | | | |
| . | | | | |
| 1.1754939304e-38 | 0x02 | 0x7FFFFA | 0x00 | 0x7FFFFD |
| 1.1754940005e-38 | 0x02 | 0x7FFFFB | | |
| 1.1754940706e-38 | 0x02 | 0x7FFFFC | 0x00 | 0x7FFFFE |
| 1.1754941406e-38 | 0x02 | 0x7FFFFD | | |
| 1.1754942107e-38 | 0x02 | 0x7FFFFE | 0x00 | 0x7FFFFF |
| 1.1754942808e-38 | 0x02 | 0x7FFFFF | | |
| . | | | | |
| . | | | | |
| . | | | | |
| 1.1754943508e-38 | 0x03 | 0x000000 | 0x01 | 0x000000 |
| 1.1754944910e-38 | 0x03 | 0x000001 | 0x01 | 0x000001 |
| 1.1754946311e-38 | 0x03 | 0x000002 | 0x01 | 0x000002 |
| 1.1754947712e-38 | 0x03 | 0x000003 | 0x01 | 0x000003 |
| . | | | | |
| . | | | | |
| . | | | | |
| 1.7014114290e+38 | 0xFF | 0x7FFFFC | 0xFD | 0x7FFFFC |
| 1.7014115304e+38 | 0xFF | 0x7FFFFD | 0xFD | 0x7FFFFD |
| 1.7014116318e+38 | 0xFF | 0x7FFFFE | 0xFD | 0x7FFFFE |
| 1.7014117332e+38 | 0xFF | 0x7FFFFF | 0xFD | 0x7FFFFF |
| . | | | | |
| . | | | | |
| . | | | | |
| 1.7014118346e+38 | | | 0xFE | 0x000000 |
| 1.7014120374e+38 | | | 0xFE | 0x000001 |
| 1.7014122403e+38 | | | 0xFE | 0x000002 |
| 1.7014124431e+38 | | | 0xFE | 0x000003 |

| | | |
|------------------|------|------------------------|
| . | | |
| . | | |
| . | | |
| 3.4028228579e+38 | 0xFE | 0x7FFFFC |
| 3.4028230607e+38 | 0xFE | 0x7FFFFD |
| 3.4028232636e+38 | 0xFE | 0x7FFFFE |
| 3.4028234664e+38 | 0xFE | 0x7FFFFF |
| Infinity | 0xFF | 0x0000002 |
| NaN | 0xFF | 0x000001 ³⁰ |
| NaN | 0xFF | 0x000002 ³¹ |
| . | | |
| . | | |
| . | | |
| NaN | 0xFF | 0x7FFFFFF3 |
| NaN | 0xFF | 0x7FFFFFF3 |

Note that not all single-precision floating-point values can be represented in both encodings. Several ranges of floating-point values, as well as some individual values, are of interest...

0.0000000000e+00

When an F_FLOAT value has an exponent of 0x00, the floating-point value represented is 0.0000000000e+00 regardless of the value of the mantissa.

1.4012984643e-45 through 2.9387344758e-39

These values can only be represented with the IEEE 754 encoding. Their magnitudes are too small for the F_FLOAT encoding.

2.9387358771e-39 through 5.8774714038e-39

The F_FLOAT encoding has more precision in this range. Four times as many F_FLOAT values fall into this range as do IEEE 754 values.

5.8774717541e-39 through 1.1754942808e-38

The F_FLOAT encoding also has more precision in this range. Twice as many F_FLOAT values fall into this range as do IEEE 754 values.

1.1754943508e-38 through 1.7014117332e+38

The F_FLOAT and IEEE 754 encodings have equal precision through this range.

1.7014118346e+38 through 3.4028234664e+38

These values can only be represented with the IEEE 754 encoding. Their magnitudes are too large for the F_FLOAT encoding.

Infinity

This value exists only in the IEEE 754 encoding.

NaN

Not a number. These non-values exist only in the IEEE 754 encoding.

³⁰ -Infinity if the sign bit is set.

³¹ -NaN if the sign bit is set.

Appendix B

B.1 Double-Precision Floating-Point

This appendix presents the exponent and mantissa values for a variety of double-precision floating-point values using Digital's G_FLOAT, Digital's D_FLOAT, and the IEEE 754 encoding. The sign bit is not shown but when the sign bit is clear (0x0) the floating-point value is positive and when the sign bit is set (0x1) the value is negative. Section 5.1.4 illustrates how these exponent and mantissa values are arranged in a particular double-precision floating-point value.

| Value | Digital's G_FLOAT | | Digital's G_FLOAT | | IEEE 754 | |
|--------------------------|-------------------|--------------------------------|-------------------|----------------------------------|----------|--------------------|
| | Exponent | Mantissa | Exponent | Mantissa | Exponent | Mantissa |
| 0.0000000000000000e+000 | 0x000 | 0x00000000000000 ³² | 0x000 | 0x0000000000000000 | 0x000 | 0x0000000000000000 |
| 0.0000000000000000e+000 | 0x000 | 0x0000000000000001 | 0x000 | 0x0000000000000001 ³³ | | |
| 0.0000000000000000e+000 | 0x000 | 0x0000000000000002 | 0x000 | 0x0000000000000002 | | |
| . | | | | | | |
| . | | | | | | |
| 0.0000000000000000e+000 | 0x000 | 0xFFFFFFFFFFFFE | 0x000 | 0x7FFFFFFFFFFFFFFE | | |
| 0.0000000000000000e+000 | 0x000 | 0xFFFFFFFFFFFFFFF | 0x000 | 0x7FFFFFFFFFFFFFFF | | |
| 4.94065645841246544e-324 | | | | | 0x000 | 0x0000000000000001 |
| 9.88131291682493088e-324 | | | | | 0x000 | 0x0000000000000002 |
| . | | | | | | |
| . | | | | | | |
| 5.56268464626799358e-309 | | | | | 0x000 | 0x3FFFFFFFFFFFFFFE |
| 5.56268464626799852e-309 | | | | | 0x000 | 0x3FFFFFFFFFFFFFFF |
| 5.56268464626800346e-309 | 0x001 | 0x0000000000000000 | | | 0x000 | 0x4000000000000000 |
| 5.56268464626800469e-309 | 0x001 | 0x0000000000000001 | | | | |
| 5.56268464626800593e-309 | 0x001 | 0x0000000000000002 | | | | |
| 5.56268464626800716e-309 | 0x001 | 0x0000000000000003 | | | | |
| 5.56268464626800840e-309 | 0x001 | 0x0000000000000004 | | | 0x000 | 0x4000000000000001 |
| 5.56268464626800963e-309 | 0x001 | 0x0000000000000005 | | | | |
| 5.56268464626801087e-309 | 0x001 | 0x0000000000000006 | | | | |
| 5.56268464626801210e-309 | 0x001 | 0x0000000000000007 | | | | |
| 5.56268464626801334e-309 | 0x001 | 0x0000000000000008 | | | 0x000 | 0x4000000000000002 |

³² If the sign bit is set (-0.0), a %SYSTEM-F-ROPRAND fatal error (on VAXes running VMS/OpenVMS) or a %SYSTEM-F-HPARITH fatal error (on DEC Alphas running OpenVMS) will occur if the value is used.

³³ Even if the sign bit is clear, a %SYSTEM-F-HPARITH fatal error will occur if the value is used on a DEC Alpha running OpenVMS.

| | | | | | | |
|--------------------------|-------|----------------|-------|------------------|-------|----------------|
| 1.11253692925359970e-308 | 0x001 | 0xFFFFFFFFFFF8 | | | 0x000 | 0x7FFFFFFFFFEE |
| 1.11253692925359983e-308 | 0x001 | 0xFFFFFFFFFFF9 | | | | |
| 1.11253692925359995e-308 | 0x001 | 0xFFFFFFFFFFFA | | | | |
| 1.11253692925360007e-308 | 0x001 | 0xFFFFFFFFFFFB | | | | |
| 1.11253692925360020e-308 | 0x001 | 0xFFFFFFFFFFFC | | | 0x000 | 0x7FFFFFFFFFEE |
| 1.11253692925360032e-308 | 0x001 | 0xFFFFFFFFFFFD | | | | |
| 1.11253692925360044e-308 | 0x001 | 0xFFFFFFFFFFFE | | | | |
| 1.11253692925360057e-308 | 0x001 | 0xFFFFFFFFFFFF | | | | |
| 1.11253692925360069e-308 | 0x002 | 0x000000000000 | | | 0x000 | 0x800000000000 |
| 1.11253692925360094e-308 | 0x002 | 0x000000000001 | | | 0x000 | 0x800000000001 |
| 1.11253692925360119e-308 | 0x002 | 0x000000000002 | | | 0x000 | 0x800000000002 |
| 1.11253692925360143e-308 | 0x002 | 0x000000000003 | | | 0x000 | 0x800000000003 |
| 1.11253692925360168e-308 | 0x002 | 0x000000000004 | | | 0x000 | 0x800000000004 |
| 2.22507385850719990e-308 | 0x002 | 0xFFFFFFFFFFFA | | | 0x000 | 0xFFFFFFFFFFFD |
| 2.22507385850720015e-308 | 0x002 | 0xFFFFFFFFFFFB | | | 0x000 | 0xFFFFFFFFFFFE |
| 2.22507385850720039e-308 | 0x002 | 0xFFFFFFFFFFFC | | | 0x000 | 0xFFFFFFFFFFFE |
| 2.22507385850720064e-308 | 0x002 | 0xFFFFFFFFFFFD | | | 0x000 | 0xFFFFFFFFFFFE |
| 2.22507385850720089e-308 | 0x002 | 0xFFFFFFFFFFFE | | | 0x000 | 0xFFFFFFFFFFFE |
| 2.22507385850720114e-308 | 0x002 | 0xFFFFFFFFFFFF | | | | |
| 2.22507385850720138e-308 | 0x003 | 0x000000000000 | | | 0x001 | 0x000000000000 |
| 2.22507385850720188e-308 | 0x003 | 0x000000000001 | | | 0x001 | 0x000000000001 |
| 2.93873587705571812e-039 | 0x380 | 0xFFFFFFFFFFFE | | | 0x37E | 0xFFFFFFFFFFFE |
| 2.93873587705571844e-039 | 0x380 | 0xFFFFFFFFFFFF | | | 0x37E | 0xFFFFFFFFFFFF |
| 2.93873587705571877e-039 | 0x381 | 0x000000000000 | 0x001 | 0x000000000000 | 0x37F | 0x000000000000 |
| 2.93873587705571885e-039 | | | 0x001 | 0x00000000000001 | | |
| 2.93873587705571893e-039 | | | 0x001 | 0x00000000000002 | | |
| 2.93873587705571901e-039 | | | 0x001 | 0x00000000000003 | | |
| 2.93873587705571910e-039 | | | 0x001 | 0x00000000000004 | | |
| 2.93873587705571918e-039 | | | 0x001 | 0x00000000000005 | | |
| 2.93873587705571926e-039 | | | 0x001 | 0x00000000000006 | | |
| 2.93873587705571934e-039 | | | 0x001 | 0x00000000000007 | | |
| 2.93873587705571942e-039 | 0x381 | 0x000000000001 | 0x001 | 0x00000000000008 | 0x37F | 0x000000000001 |
| 2.93873587705571950e-039 | | | | 0x00000000000009 | | |
| 2.93873587705571959e-039 | | | | 0x0000000000000A | | |
| 2.93873587705571967e-039 | | | | 0x0000000000000B | | |
| 2.93873587705571975e-039 | | | | 0x0000000000000C | | |
| 2.93873587705571983e-039 | | | | 0x0000000000000D | | |
| 2.93873587705571991e-039 | | | | 0x0000000000000E | | |
| 2.93873587705571999e-039 | | | | 0x0000000000000F | | |
| 2.93873587705572007e-039 | 0x381 | 0x000000000002 | | 0x00000000000010 | 0x37F | 0x000000000002 |
| 2.93873587705572016e-039 | | | | 0x00000000000011 | | |
| 2.93873587705572024e-039 | | | | 0x00000000000012 | | |
| 2.93873587705572032e-039 | | | | 0x00000000000013 | | |
| 2.93873587705572040e-039 | | | | 0x00000000000014 | | |
| 5.87747175411143623e-039 | 0x381 | 0xFFFFFFFFFFFE | 0x001 | 0x7FFFFFFFFFFF0 | 0x37F | 0xFFFFFFFFFFFE |
| 5.87747175411143632e-039 | | | 0x001 | 0x7FFFFFFFFFFF1 | | |
| 5.87747175411143640e-039 | | | 0x001 | 0x7FFFFFFFFFFF2 | | |
| 5.87747175411143648e-039 | | | 0x001 | 0x7FFFFFFFFFFF3 | | |
| 5.87747175411143656e-039 | | | 0x001 | 0x7FFFFFFFFFFF4 | | |
| 5.87747175411143664e-039 | | | 0x001 | 0x7FFFFFFFFFFF5 | | |
| 5.87747175411143672e-039 | | | 0x001 | 0x7FFFFFFFFFFF6 | | |

| | | | | | | |
|--------------------------|-------|-----------------|-------|-----------------|-------|-------------------------------|
| 5.87747175411143681e-039 | | | 0x001 | 0x7FFFFFFFFFFF7 | | |
| 5.87747175411143689e-039 | 0x381 | 0xFFFFFFFFFFFFF | 0x001 | 0x7FFFFFFFFFFF8 | 0x37F | 0xFFFFFFFFFFFFF |
| 5.87747175411143697e-039 | | | 0x001 | 0x7FFFFFFFFFFF9 | | |
| 5.87747175411143705e-039 | | | 0x001 | 0x7FFFFFFFFFFFA | | |
| 5.87747175411143713e-039 | | | 0x001 | 0x7FFFFFFFFFFFB | | |
| 5.87747175411143721e-039 | | | 0x001 | 0x7FFFFFFFFFFFC | | |
| 5.87747175411143730e-039 | | | 0x001 | 0x7FFFFFFFFFFFD | | |
| 5.87747175411143738e-039 | | | 0x001 | 0x7FFFFFFFFFFFE | | |
| 5.87747175411143746e-039 | | | 0x001 | 0x7FFFFFFFFFFFF | | |
| . | | | | | | |
| . | | | | | | |
| 1.70141183460469182e+038 | | | 0x0FF | 0x7FFFFFFFFFFEB | | |
| 1.70141183460469185e+038 | | | 0x0FF | 0x7FFFFFFFFFFEC | | |
| 1.70141183460469187e+038 | | | 0x0FF | 0x7FFFFFFFFFFED | | |
| 1.70141183460469189e+038 | | | 0x0FF | 0x7FFFFFFFFFFEE | | |
| 1.70141183460469192e+038 | | | 0x0FF | 0x7FFFFFFFFFFF0 | | |
| 1.70141183460469194e+038 | 0x47F | 0xFFFFFFFFFFFFE | 0x0FF | 0x7FFFFFFFFFFF0 | 0x47D | 0xFFFFFFFFFFFFE |
| 1.70141183460469196e+038 | | | 0x0FF | 0x7FFFFFFFFFFF1 | | |
| 1.70141183460469199e+038 | | | 0x0FF | 0x7FFFFFFFFFFF2 | | |
| 1.70141183460469201e+038 | | | 0x0FF | 0x7FFFFFFFFFFF3 | | |
| 1.70141183460469203e+038 | | | 0x0FF | 0x7FFFFFFFFFFF4 | | |
| 1.70141183460469206e+038 | | | 0x0FF | 0x7FFFFFFFFFFF5 | | |
| 1.70141183460469208e+038 | | | 0x0FF | 0x7FFFFFFFFFFF6 | | |
| 1.70141183460469210e+038 | | | 0x0FF | 0x7FFFFFFFFFFF7 | | |
| 1.70141183460469213e+038 | 0x47F | 0xFFFFFFFFFFFFE | 0x0FF | 0x7FFFFFFFFFFF8 | 0x47D | 0xFFFFFFFFFFFFE |
| 1.70141183460469215e+038 | | | 0x0FF | 0x7FFFFFFFFFFF9 | | |
| 1.70141183460469218e+038 | | | 0x0FF | 0x7FFFFFFFFFFFA | | |
| | | | | ³⁴ | | |
| 1.70141183460469220e+038 | | | 0x0FF | 0x7FFFFFFFFFFFB | | |
| 1.70141183460469222e+038 | | | 0x0FF | 0x7FFFFFFFFFFFC | | |
| 1.70141183460469225e+038 | | | 0x0FF | 0x7FFFFFFFFFFFD | | |
| 1.70141183460469227e+038 | | | 0x0FF | 0x7FFFFFFFFFFFE | | |
| 1.70141183460469229e+038 | | | 0x0FF | 0x7FFFFFFFFFFFF | | |
| 1.70141183460469232e+038 | 0x480 | 0x0000000000000 | | | 0x47E | 0x0000000000000 |
| 1.70141183460469270e+038 | 0x480 | 0x0000000000001 | | | 0x47E | 0x0000000000001 |
| . | | | | | | |
| . | | | | | | |
| . | | | | | | |
| 8.98846567431157754e+307 | 0x7FF | 0xFFFFFFFFFFFFE | | | 0x7FD | 0xFFFFFFFFFFFFE |
| 8.98846567431157854e+307 | 0x7FF | 0xFFFFFFFFFFFFF | | | 0x7FD | 0xFFFFFFFFFFFFF |
| 8.98846567431157954e+307 | | | | | 0x7FE | 0x0000000000000 |
| 8.98846567431158153e+307 | | | | | 0x7FE | 0x0000000000001 |
| . | | | | | | |
| . | | | | | | |
| 1.79769313486231551e+308 | | | | | 0xF7E | 0xFFFFFFFFFFFFE |
| 1.79769313486231571e+308 | | | | | 0xF7E | 0xFFFFFFFFFFFFF |
| Infinity | | | | | 0xFFF | 0x0000000000000 ³⁵ |
| NaN | | | | | 0xFFF | 0x0000000000001 ³⁶ |
| NaN | | | | | 0xFFF | 0x0000000000002 |
| . | | | | | | |
| . | | | | | | |
| NaN | | | | | 0xFFF | 0xFFFFFFFFFFFFE |
| NaN | | | | | 0xFFF | 0xFFFFFFFFFFFFF |

³⁴ 3If the sign bit is set or clear, a %SYSTEM-F-HPARITH fatal error will occur if the value is used on a DEC Alpha running OpenVMS.

³⁵ -Infinity if the sign bit is set.

³⁶ -NaN if the sign bit is set.

Note that not all double-precision floating-point values can be represented in all encodings. Several ranges of floating-point values, as well as some individual values, are of interest...

0.0000000000e+00

When a G_FLOAT or D_FLOAT value has an exponent of 0x00, the floating-point value represented is 0.0000000000000000e+00 regardless of the value of the mantissa.

4.94065645841246544e-324 through 5.56268464626799852e-309

These values can only be represented with the IEEE 754 encoding. Their magnitudes are too small for the G_FLOAT and D_FLOAT encodings.

5.56268464626800346e-309 through 1.11253692925360057e-308

These values can only be represented with the G_FLOAT and IEEE 754 encodings. Their magnitudes are too small for the D_FLOAT encoding. In this range the G_FLOAT encoding has more precision than the IEEE 754 encoding. Four times as many G_FLOAT values fall into this range as do IEEE 754 values.

1.11253692925360069e-308 through 2.22507385850720114e-308

These values can only be represented with the G_FLOAT and IEEE 754 encodings. Their magnitudes are too small for the D_FLOAT encoding. In this range the G_FLOAT encoding has more precision than the IEEE 754 encoding. Twice as many G_FLOAT values fall into this range as do IEEE 754 values.

2.22507385850720138e-308 through 2.93873587705571844e-039

These values can only be represented with the G_FLOAT and IEEE 754 encodings. Their magnitudes are too small for the D_FLOAT encoding. In this range the G_FLOAT and IEEE 754 encodings have equal precision.

2.93873587705571877e-039 through 1.70141183460469229e+038

Through this range the D_FLOAT encoding has more precision. Eight times as many D_FLOAT values fall into this range as do G_FLOAT or IEEE 754 values. The G_FLOAT and IEEE 754 encodings have equal precision through this range.

1.70141183460469232e+038 through 8.98846567431157854e+307

These values can only be represented with the G_FLOAT and IEEE 754 encodings. Their magnitudes are too large for the D_FLOAT encoding. In this range the G_FLOAT and IEEE 754 encodings have equal precision.

8.98846567431157954e+307 through 1.79769313486231571e+308

These values can only be represented with the IEEE 754 encoding. Their magnitudes are too large for the G_FLOAT and D_FLOAT encodings.

Infinity

This value exists only in the IEEE 754 encoding.

NaN

Not a number. These non-values exist only in the IEEE 754 encoding.