



TIMED EMC



Thermosphere • Ionosphere • Mesosphere • Energetics and Dynamics

Electromagnetic Compatibility

George Seylar

Critical Design Review

2, 3, & 4 December 1997



TIMED EMC



Thermosphere • Ionosphere • Mesosphere • Energetics and Dynamics

Objective: Provide compatible operation of all spacecraft subsystems in the anticipated environments.

- **within the spacecraft (self-compatibility)**
- **during integration and test**
- **during transport (survival)**
- **with the launch environment**
 - **tracking RADARs**
 - **local airplanes & airport operations**
 - **communications**
 - **lightning, etc.**
- **with the launch vehicle**
- **in orbit (electrostatic charging, etc.)**



***TIMED* EMC**



Thermosphere • Ionosphere • Mesosphere • Energetics and Dynamics

EMC Control Plan

- **Subsystem and Instrument EMI design and test requirements are presented in the “TIMED EMC Control Plan and EMI Performance Requirements Specification”, 7363-9038.**
- **EMI testing is required on Instruments and subsystems per CES Table 2.6.2-1.**
- **Spacecraft self-compatibility tests will be performed at APL after completion of integration.**



TIMED **EMC**



Thermosphere • Ionosphere • Mesosphere • Energetics and Dynamics

Design Strategy #1

Avoid injecting signal or power currents into the spacecraft structure.

- **Use single point ground (SPG) for primary power circuits**
- **Limit common mode noise currents particularly at power converters**
- **Use signal return lines rather than structure**
- **Use of true differential line drivers / receivers for interface signals is encouraged (preferably 1553 serial bus)**

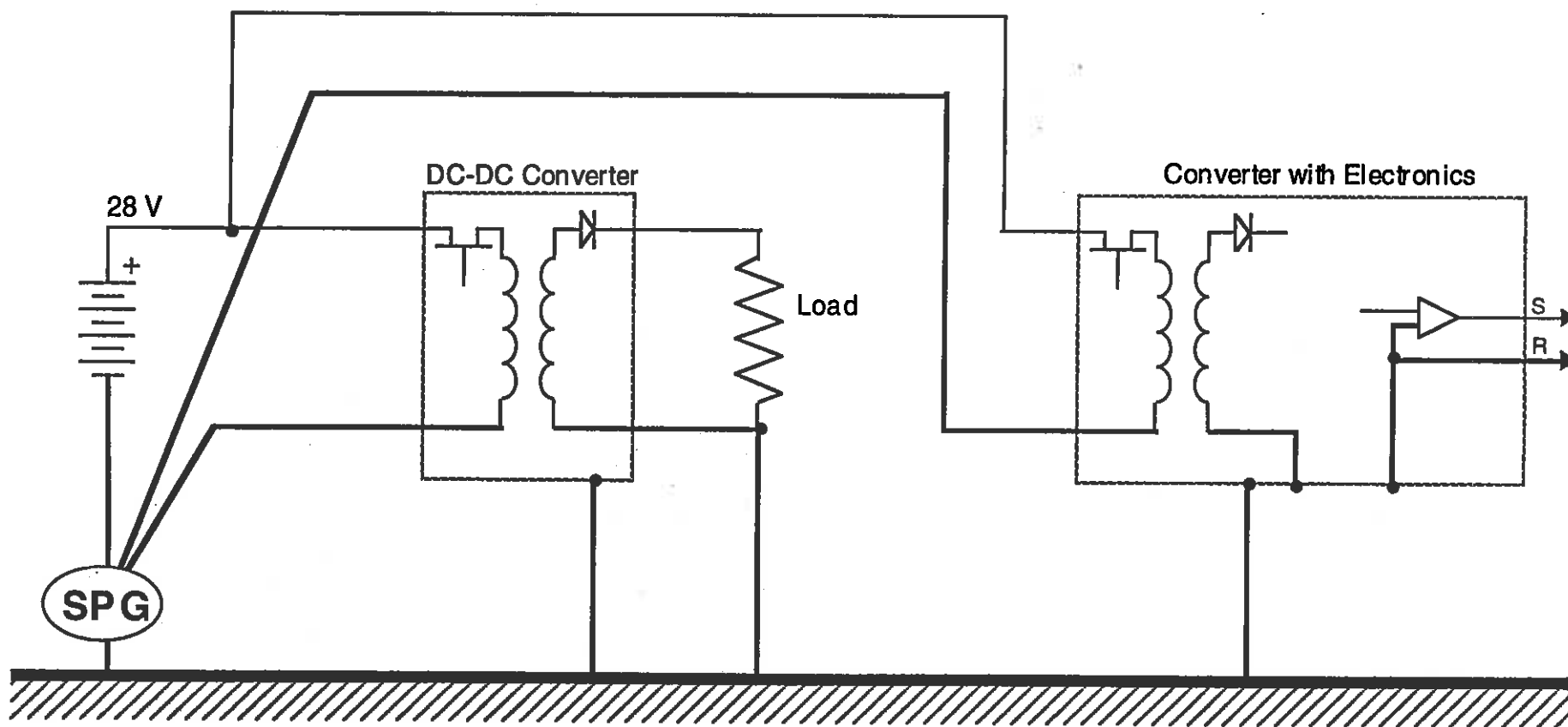


TIMED EMC



Thermosphere • Ionosphere • Mesosphere • Energetics and Dynamics

Basic power distribution & grounding



Spacecraft Structure Ground

GRS-05



TIMED EMC



Thermosphere • Ionosphere • Mesosphere • Energetics and Dynamics

Design Strategy #2

Limit power bus conducted emissions and susceptibility.

- **Limit time domain primary power bus current transients and pulses**
- **Limit frequency domain current emissions**
- **Test all primary power bus loads for conducted susceptibility**
- **Component EMI specification similar to MIL-STD-461B**
- **Use multipoint grounds (MPG) for signals and secondary power**
- **Suppress motor brush noise at the source**



TIMED EMC



Thermosphere • Ionosphere • Mesosphere • Energetics and Dynamics

Design Strategy #3

Control radiated emissions and susceptibility.

- **Use reasonably shielded enclosures for all electronics**
- **Shield 1553 bus lines and all other “critical” lines (shielding not required for primary power lines)**
- **Route signal and secondary power lines well away from primary power wiring (use separate power connector w/Gnd)**
- **Twist power wiring to minimize magnetic coupling**
- **Use shielded shipping containers (S/C and Instruments)**
- **Radiated specification similar to MIL-STD-461B**



TIMED EMC



Thermosphere • Ionosphere • Mesosphere • Energetics and Dynamics

Design Strategy #4

Protect against common impedance coupling, power faults, and radiated noise coupled signals such as lightning induced currents.

- **Hardware electrical bonding to be <2.5 milliohms**
- **Solid package-to-structure electrical bonds preferred rather than ground straps**
- **Position wiring harness close to structure**
- **Terminate cable outer shields externally to connector shells, not through connector pins**
- **Ground both ends of cable shields (rare exceptions)**



TIMED **EMC**



Thermosphere • Ionosphere • Mesosphere • Energetics and Dynamics

Design Strategy #5

Protect against ESD and spacecraft charging (on orbit).

- **Always use ESD protection materials and procedures**
- **Provide ESD protection at all PC board interfaces**
- **Discharge all cable conductors before connecting**
- **Design antenna elements to be at DC ground**
- **Ground all conductive layers of multi-layer insulation**
- **Use ground wires across all hinges (covers, solar panels, etc.)**
- **Ground spacecraft to test facility, shipping container, and launch vehicle**
- **Avoid use of dielectric materials on exposed spacecraft surfaces**
- **Conductive cover slides over solar cells and optics not required**



TIMED **EMC**



Thermosphere • Ionosphere • Mesosphere • Energetics and Dynamics

Design Strategy #6

Protect GSE interfaces.

- **Electrically isolate all GSE interfaces that may be connected during or after integration with the spacecraft**
- **Provide overcurrent and transient protection for external battery charging circuits**
- **Ground GSE to same ground reference as the spacecraft while maintaining the required green wire safety ground**
- **Provide EMI filters and transient protection on all GSE AC power input lines (e.g., Isobar)**



TIMED **EMC**



Thermosphere • Ionosphere • Mesosphere • Energetics and Dynamics

Spacecraft Self-Compatibility

Test Configurations to Consider

- **Pre-launch Configuration**
 - Solar panels folded
 - Grounded to vehicle
- **Coast Configuration (no test)**
 - Solar panels folded inside DPAF
- **Orbital Configuration (no test)**
 - Solar panels deployed



TIMED **EMC**



Thermosphere • Ionosphere • Mesosphere • Energetics and Dynamics

Pre-launch Test Configuration

- **Spacecraft mounted on shaker**
- **Solar panels attached and folded**
- **Extended set of 'Pad Functional Test'**
- **No RF radiation**
- **Communication through umbilical connector**
- **No other GSE connected**
- **Battery power**



TIMED **EMC**



Thermosphere • Ionosphere • Mesosphere • Energetics and Dynamics

Hybrid Test Configuration

- **Spacecraft mounted on test dolly**
- **Solar panels attached and folded**
- **Plugs out; no GSE connected; isolated**
- **RF up and down links radiated**
- **GPS RF link radiated**
- **Special functional test**
- **Battery power**



TIMED EMC



Thermosphere • Ionosphere • Mesosphere • Energetics and Dynamics

Orbital Configuration Test

[--No test planned--]

- **Spacecraft mounted on test dolly**
- **Solar panels attached and fully deployed**
- **Plugs out; no GSE connected; isolated**
- **RF up and down links radiated**
- **GPS RF link radiated**
- **Special functional test**
- **Battery power**



***TIMED* EMC**



Thermosphere • Ionosphere • Mesosphere • Energetics and Dynamics

Package Mounting / Grounding

- **Flat mount (metal-to-metal) direct to structure.**
- **Metal feet around Cotherm (insulator).**
- **Two copper straps around Cotherm.**
- **G-10 or titanium insulator plus undefined strap.**
- **Optical bench straps undefined.**

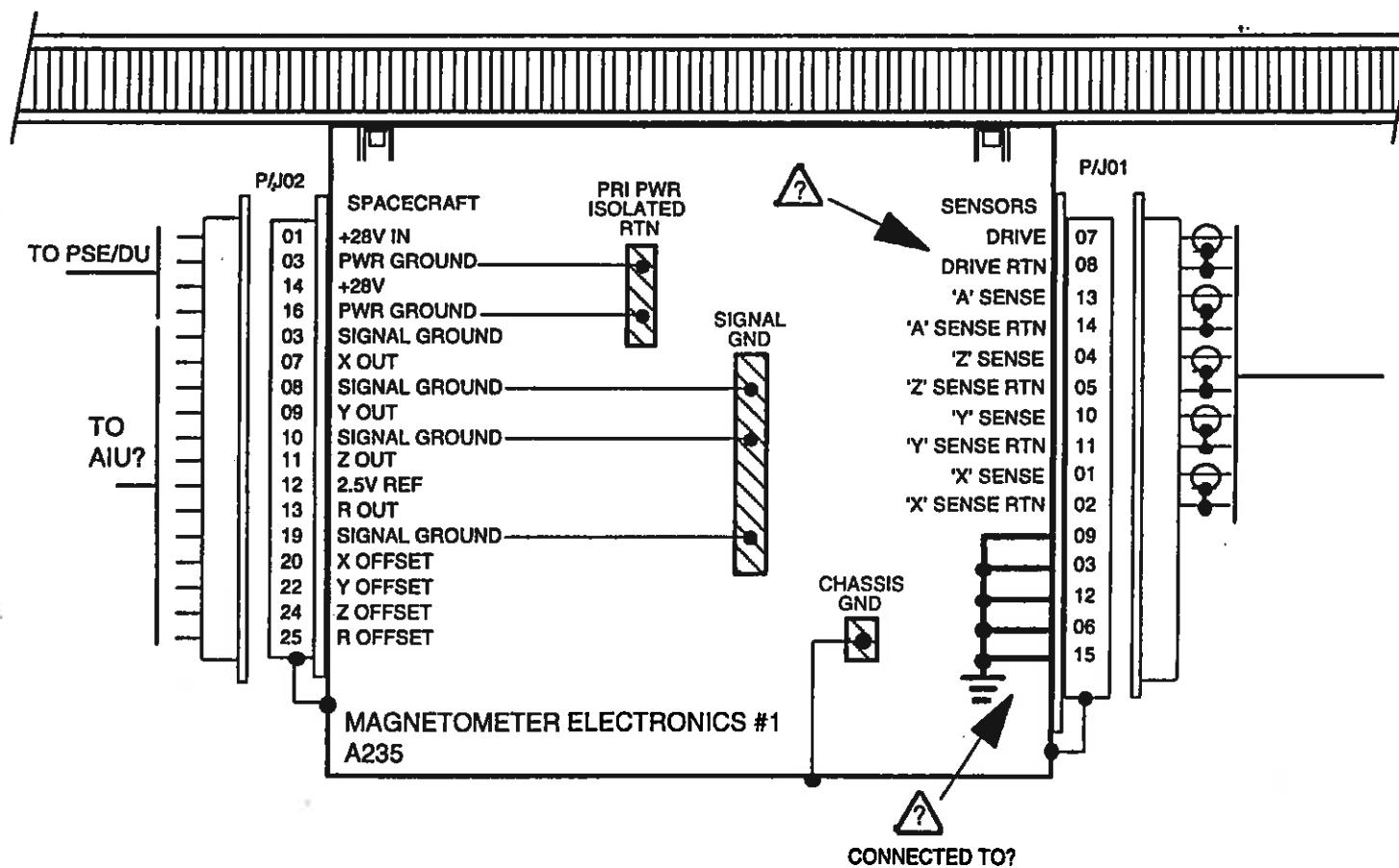


TIMED EMC



Thermosphere • Ionosphere • Mesosphere • Energetics and Dynamics

Flat Mount Direct to Structure



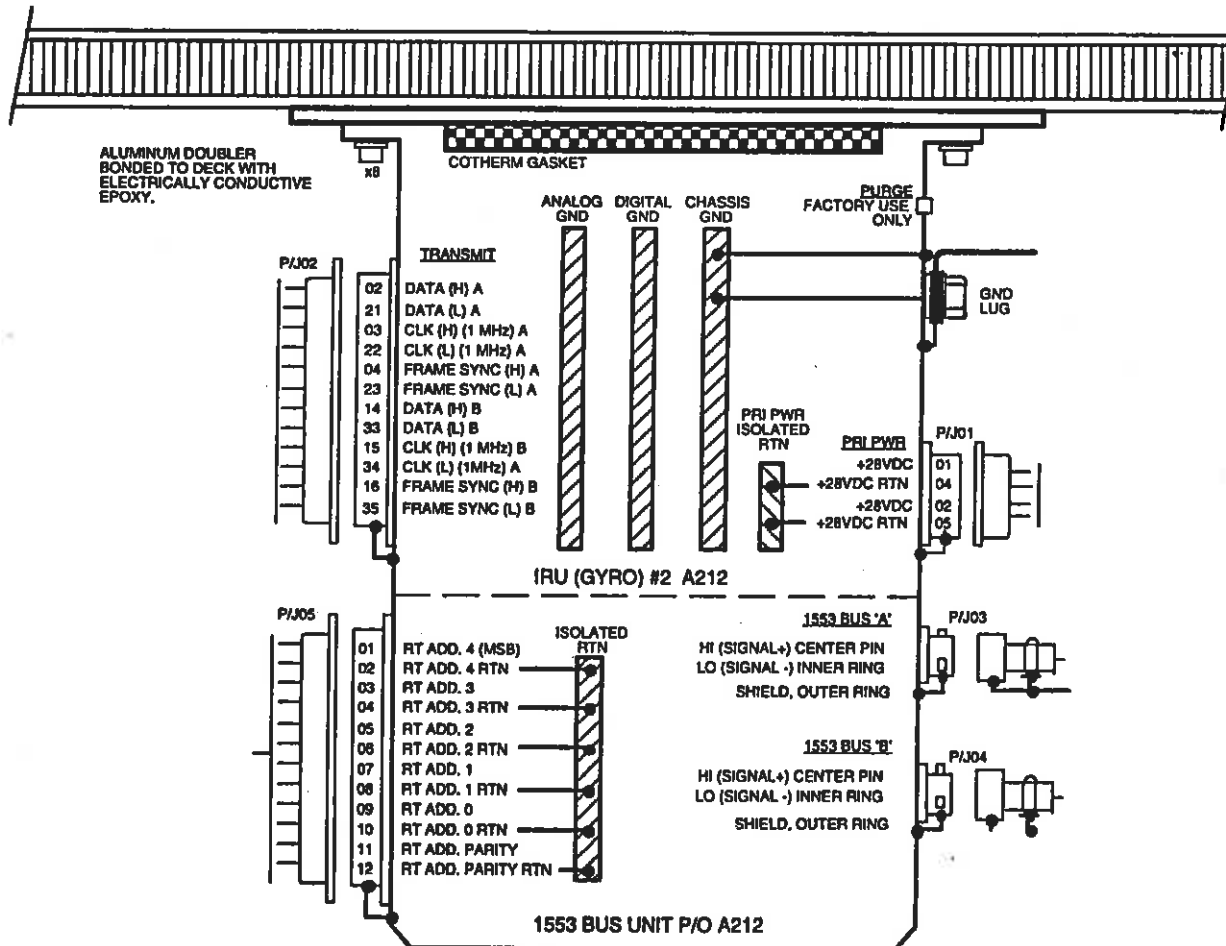


TIMED EMC



Thermosphere • Ionosphere • Mesosphere • Energetics and Dynamics

Metal Feet Around Cotherm



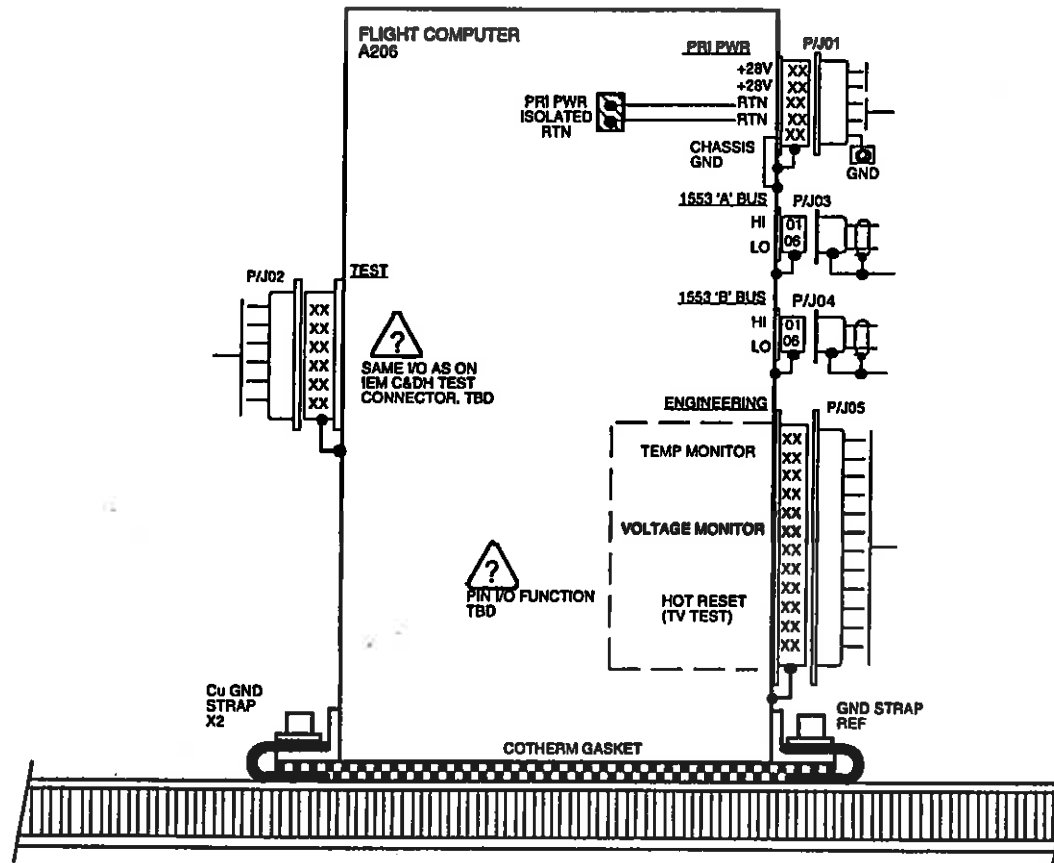


TIMED EMC



Thermosphere • Ionosphere • Mesosphere • Energetics and Dynamics

Copper Strap Around Cothem



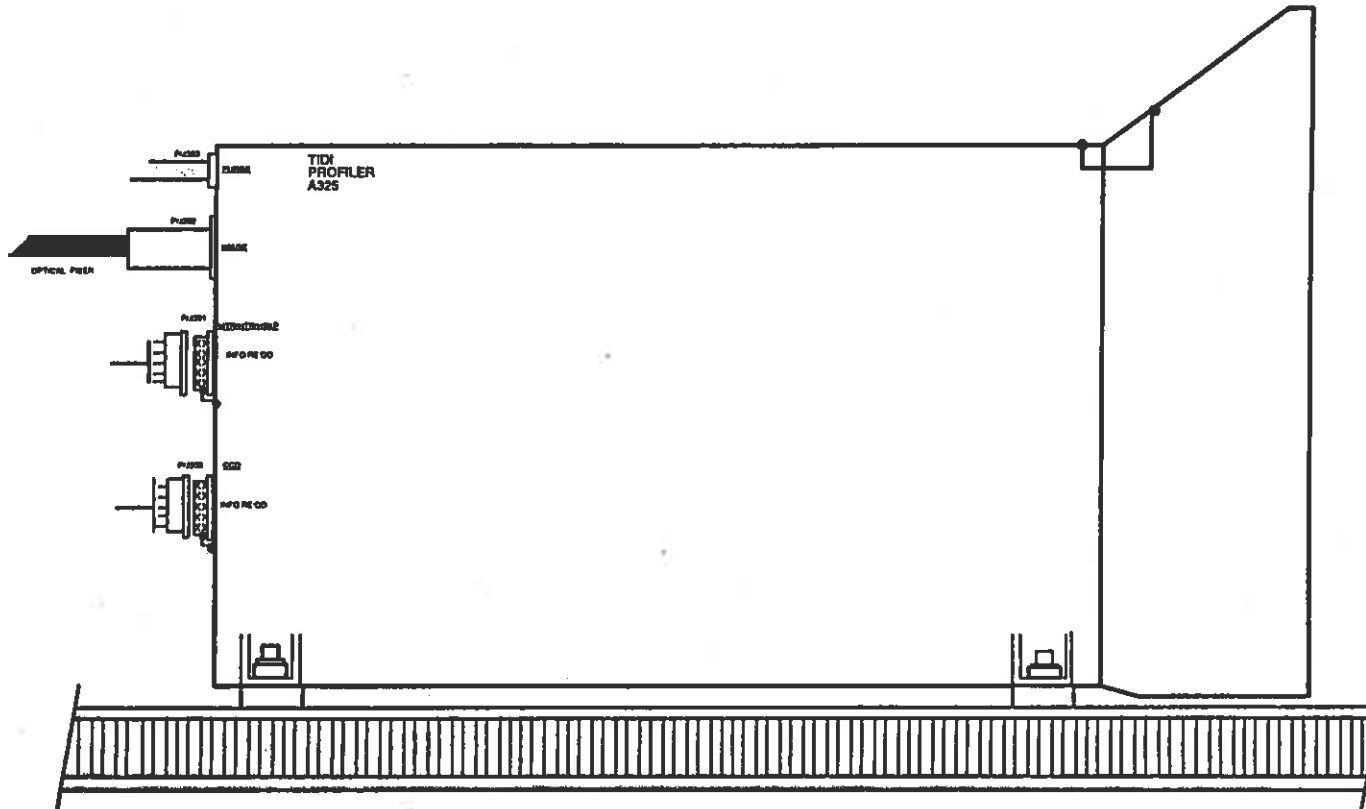


TIMED EMC



Thermosphere • Ionosphere • Mesosphere • Energetics and Dynamics

G-10 or Titanium Insulator & Strap





TIMED EMC



Thermosphere • Ionosphere • Mesosphere • Energetics and Dynamics

IEM Grounding Diagram

LYNN HANSON DRAWN BY		SER SECTION	10-23-87 DATE	THE JOHNS HOPKINS UNIVERSITY APPLIED PHYSICS LABORATORY <small>3400 HOPKINS ROAD LAUREL, MD 20723</small>			
EMC	G SEYLAR	THERMAL		GROUNDING DIAGRAM INTEGRATED ELECTRONICS MODULE IEM TIMED SPACECRAFT			
SYSTEM		MECH					
RELIABILITY		HARNES					
APPLICATION MINICAD7, V7.1, MACINTOSH		FSCM NO. 88898	SIZE J	DWG NO. 7363-8166	REV a		
SCALE		DO NOT SCALE PRINT		SHEET 1 OF 1			

NO.	TITLE	REF	ZONE
01	HOUSING	7363-2105	XX
02	FRONT COVER	7363-2105	XX
03	REAR COVER	7363-2104	XX
04	MOTHER BOARD	7363-2120	XX
05	FLEX CABLE	7363-2120	XX

NO.	TITLE	REF	ZONE
01	CMD AND TLM CKT CARD	A6	XX
02	DC/DC CONVERTER #1 CKT CARD	A1	XX
03	DC/DC CONVERTER #2 CKT CARD	A9	XX
04	DOWNLINK CKT CARD	A7	XX
05	GNS RECEIVER CKT CARD	A4	XX
06	GNS PROCESSOR CKT CARD	A5	XX
07	PROCESSOR, CMD AND DATA HANDLING CKT CARD	A2	XX
08	SOLID STATE RECORDER CKT CARD	A3	XX
09	UPLINK CKT CARD	A8	XX



TIMED EMC



Thermosphere • Ionosphere • Mesosphere • Energetics and Dynamics

Spacecraft Grounding Diagram

LYNN HANSON DRAWN BY	SER SECTION	10-23-87 DATE	THE JOHNS HOPKINS UNIVERSITY APPLIED PHYSICS LABORATORY <small>JOHNS HOPKINS ROAD LAUREL, MD, 21072</small>			
EMC G SEYLAR	THERMAL					
SYSTEM	MECH		GROUNDING DIAGRAM SOLAR ARRAY TIMED SPACECRAFT			
RELIABILITY	HARNES					
APPLICATION MINICAD7, V7.1, MACINTOSH	FSCM NO. 88898	SIZE J	DWG NO. 7363-8100	REV a		
SCALE		DO NOT SCALE PRINT		SHEET 1 OF 8		

NO.	TITLE	'A' REF	ZONE
01	ACTUATOR, +X (MOTOR DRIVE)	AXXX	XX
02	ACTUATOR, -X (MOTOR DRIVE)	AXXX	XX
03	CONTROL UNIT, +X	AXXX	XX
04	CONTROL UNIT, -X	AXXX	XX
05	FUSE/JUNCTION BOX #1	AXXX	XX
06	FUSE/JUNCTION BOX #2	AXXX	XX
07	SOLAR ARRAY, +X	AXXX	XX
08	SOLAR ARRAY, -X	AXXX	XX

Sheet 1 of 8



TIMED EMC



Thermosphere • Ionosphere • Mesosphere • Energetics and Dynamics

Spacecraft Grounding Diagram

LYNN HANSON SER 10-23-97		THE JOHNS HOPKINS UNIVERSITY	
DRAWN BY SECTION DATE		APPLIED PHYSICS LABORATORY	
EMC G SEYLAR THERMAL		JOHNS HOPKINS ROAD LAUREL, MD. 21723	
GROUNDING DIAGRAM			
OPTICAL BENCH, -Z DECK			
TIMED SPACECRAFT			
SYSTEM MECH	FSCM NO.	SIZE	DWG NO.
RELIABILITY HARNESS	88898	J	7363-8100
APPLICATION	SCALE		REV
MINCAD7, V7.1, MACINTOSH	DO NOT SCALE PRINT		a
		SHEET 2 OF 8	

NO.	TITLE	'A' REF	ZONE	NO.	TITLE	'A' REF	ZONE
01	ANTENNA, GPS	A150	XX	25	SEE INSTRUMENT	A400	XX
02	ANTENNA, GPS	A151	XX	26	TIDI ELECTRONICS DECK ASSEMBLY	A320	XX
03	ANTENNA, S-BAND	A145	XX	27	TIDI INTERFACE BR'KT	A320	XX
04	ANTENNA, S-BAND	A141	XX	28	TIDI TELESCOPE #1	A300	XX
05	C&DH 1553 BUS 'B'	BC02-A030	XX	29	TIDI TELESCOPE #2	A301	XX
06	C&DH 1553 BUS 'B'	BC05-A030	XX	30	TIDI TELESCOPE #3	A302	XX
07	DIPLEXER, S-BAND	A134	XX	31	TIDI TELESCOPE #4	A303	XX
08	DIPLEXER, S-BAND	A133	XX	32	TIDI PRIMARY PWR RTN DISTRIBUTION BLOCK	A330-D001	XX
09	G&C 1553 BUS 'B'	BC10-A030	XX	33	TIDI PROFILER	A325	XX
10	G&C 1553 BUS 'B'	BC11-A030	XX	34	TRANSFER SW, S-BAND	A130	XX
11	G&C 1553 BUS 'B'	BC12-A030	XX	35	TRANSFER SW, S-BAND	A132	XX
12	G&C 1553 BUS 'A'	BC07-A030	XX	36	SOLAR ARRAY +X ACTUATOR SEE SHEET 1	AXXX	---
13	G&C 1553 BUS 'A'	BC08-A030	XX	37	SOLAR ARRAY -X ACTUATOR SEE SHEET 1	AXXX	---
14	G&C 1553 BUS 'A'	BC09-A030	XX	38	SOLAR ARRAY CONTROL UNIT AXXX SEE SHEET 1	AXXX	---
15	IRU (GYRO) #1	A210	XX				
16	IRU 1553 BUS UNIT #1	A210	XX				
17	IRU (GYRO) #2	A212	XX				
18	IRU 1553 BUS UNIT #2	A212	XX				
19	PWR SPLITTER, S-BAND	A136	XX				
20	PWR SPLITTER, S-BAND	A137	XX				
21	RF INTERFACE, S-BAND	A010	XX				
22	RF INTERFACE, S-BAND	A011	XX				
23	RIU #6A/6B	A115/125	XX				
24	RIU #5A/5B	A115/125	XX				

Sheet 2 of 8



TIMED EMC



Thermosphere • Ionosphere • Mesosphere • Energetics and Dynamics

Spacecraft Grounding Diagram

LYNN HANSON SER 10-23-97 DRAWN BY SECTION DATE		THE JOHNS HOPKINS UNIVERSITY APPLIED PHYSICS LABORATORY <small>JOHNS HOPKINS ROAD LAUREL, MD, 20777</small>			
EMC	G SEYLAR	THERMAL			
SYSTEM		MECH			
RELIABILITY		HARNES			
APPLICATION MINICAD7, V7.1, MACINTOSH		FSCM NO. 88898	SIZE J	DWG NO. 7363-8100	REV a
SCALE		DO NOT SCALE PRINT		SHEET 3 OF 8	

NO.	TITLE	'A' REF	ZONE
01	PSE/DU	A150	XX
02	PSE/DU, RELAY CARDS	A150	SHEET 4

Sheets 3 & 4 of 8

LYNN HANSON SER 10-23-97 DRAWN BY SECTION DATE		THE JOHNS HOPKINS UNIVERSITY APPLIED PHYSICS LABORATORY <small>JOHNS HOPKINS ROAD LAUREL, MD, 20777</small>			
EMC	G SEYLAR	THERMAL			
SYSTEM		MECH			
RELIABILITY		HARNES			
APPLICATION MINICAD7, V7.1, MACINTOSH		FSCM NO. 88898	SIZE J	DWG NO. 7363-8100	REV a
SCALE		DO NOT SCALE PRINT		SHEET 4 OF 8	

NO.	TITLE	'A' REF	ZONE
01	PSE/DU, RELAY CARDS	A150	XX
02	PSE/DU	A150	SHEET 3



TIMED EMC



Thermosphere • Ionosphere • Mesosphere • Energetics and Dynamics

Spacecraft Grounding Diagram

LYNN HANSON DRAWN BY	SER SECTION	10-23-97 DATE	THE JOHNS HOPKINS UNIVERSITY APPLIED PHYSICS LABORATORY <small>JOHNS HOPKINS ROAD LAUREL, MD 21078</small>			
EMC	G SEYLAR	THERMAL	GROUNDING DIAGRAM +Y PANEL TIMED SPACECRAFT			
SYSTEM		MECH				
RELIABILITY		HARNES				
APPLICATION MINICAD7, V7.1, MACINTOSH	FSCM NO. 88898	SIZE J	OWG NO. 7363-8100	REV a	SCALE _____ DO NOT SCALE PRINT SHEET 5 OF 8	

NO.	TITLE	'A' REF	ZONE
01	C&DH1553 BUS 'A'	BC03-A030	XX
02	C&DH 1553 BUS 'B'	BC06-A030	XX
03	IEM #1	A101	XX
04	IEM #2	A102	XX
05	MAGNETOMETER ELECTRONICS #1	A235	XX
06	MAGNETOMETER ELECTRONICS #2	A237	XX
07	RIU #1A-RIU#1B	A110/120	XX
08	SABER	A500	XX
09	TORQUE ROD X AXIS	AXXX	XX

Sheet 5 of 8



TIMED EMC



Thermosphere • Ionosphere • Mesosphere • Energetics and Dynamics

Spacecraft Grounding Diagram

LYNN HANSON DRAWN BY	SER SECTION	10-23-87 DATE	THE JOHNS HOPKINS UNIVERSITY APPLIED PHYSICS LABORATORY 3414 HOPKINS ROAD LAUREL, MD. 20723			
EMC G SEYLAR	THERMAL	GROUNDING DIAGRAM +X PANEL TIMED SPACECRAFT				
SYSTEM	MECH					
RELIABILITY	HARNES					
APPLICATION MINICAD7, V7.1, MACINTOSH	FSCM NO. 88898					
		DO NOT SCALE PRINT		SHEET 6 OF 8		

NO.	TITLE	'A' REF	ZONE
01	AIU	A200	XX
02	ARMING (PYRO) PLUG	A035	XX
03	BATTERY, +X	AXX	XX
04	C&DH 1553 BUS 'A'	BC01-A030	XX
05	C&DH 1553 BUS 'B'	BC04-A030	XX
06	PPTCM 'SIDE 2'	A055	XX
07	TEST CONNECTOR PANEL	A026	XX
08	TORQUE ROD Y AXIS	AXX	XX

Sheets 6 & 7 of 8

LYNN HANSON DRAWN BY	SER SECTION	10-23-87 DATE	THE JOHNS HOPKINS UNIVERSITY APPLIED PHYSICS LABORATORY 3414 HOPKINS ROAD LAUREL, MD. 20723			
EMC G SEYLAR	THERMAL	GROUNDING DIAGRAM -X PANEL TIMED SPACECRAFT				
SYSTEM	MECH					
RELIABILITY	HARNES					
APPLICATION MINICAD7, V7.1, MACINTOSH	FSCM NO. 88898					
		DO NOT SCALE PRINT		SHEET 7 OF 8		

NO.	TITLE	'A' REF	ZONE
01	BATTERY, -X	AXXX	XX
02	FLIGHT COMPUTER #1	A205	XX
03	FLIGHT COMPUTER #2	A206	XX
04	GUVI ELECTRONICS CONTROL UNIT	A625	XX
05	PPTCM 'SIDE 1'	A054	XX
06	RIU #4	A113/123	XX
07	RIU #2	A111/121	XX
08	SUN SENSOR 1B'	AXXX	XX
09	SUN SENSOR '2B'	AXXX	XX
10	SUN SENSOR '2A'	AXXX	XX
11	SUN SENSOR '2A'	AXXX	XX
12	TORQUE ROD, Z AXIS	AXXX	XX



TIMED EMC



Thermosphere • Ionosphere • Mesosphere • Energetics and Dynamics

Spacecraft Grounding Diagram

LYNN HANSON DRAWN BY		SER SECTION	10-23-97 DATE	THE JOHNS HOPKINS UNIVERSITY APPLIED PHYSICS LABORATORY 3414B HOPKINS ROAD LAUREL, MD, 21074			
EMC G SEYLAR		THERMAL		GROUNDING DIAGRAM +Z DECK, PAYLOAD ADAPTER TIMED SPACECRAFT			
SYSTEM		MECH					
RELIABILITY		HARNESS					
APPLICATION MINICAD7, V7.1, MACINTOSH				FSCM NO. 88898	SIZE J	DWG NO. 7363-8100	REV a
SCALE				DO NOT SCALE PRINT		SHEET 8 OF 8	

Sheet 8 of 8

NO.	TITLE	'A' REF	ZONE
01	ANTENNA, BAND	A146	XX
02	ANTENNA, S-BAND	A145	XX
03	GUVI FPE #1	A610	XX
04	GUVI FPE #2	A612	XX
05	GUVI HVPS #1	A620	XX
06	GUVI HVPS #2	A622	XX
07	GUVI SIS ELECTRONICS	A605	XX
08	GUVI SIS OPTICAL HOUSING	A600	XX
09	REACTION WHEEL #1	A241	XX
10	REACTION WHEEL #2	A243	XX
11	REACTION WHEEL #3	A245	XX
12	REACTION WHEEL #4	A247	XX
13	RF INTERFACE	A009	XX
14	RF INTERFACE	A008	XX
15	RIU #3A - RIU #3B	A111/112	XX
16	SENSOR MAGNETOMETER #1	A235	XX
17	SENSOR MAGNETOMETER #2	A237	XX
18	SEPARATION SWITCH	AXXX	XX
19	SEPARATION SWITCH	AXXX	XX
20	UMBILICAL, PURGE	AXXX	XX
21	UMBILICAL CONNECTOR	A024-J1	XX
22	UMBILICAL CONNECTOR	A024-J2	XX