



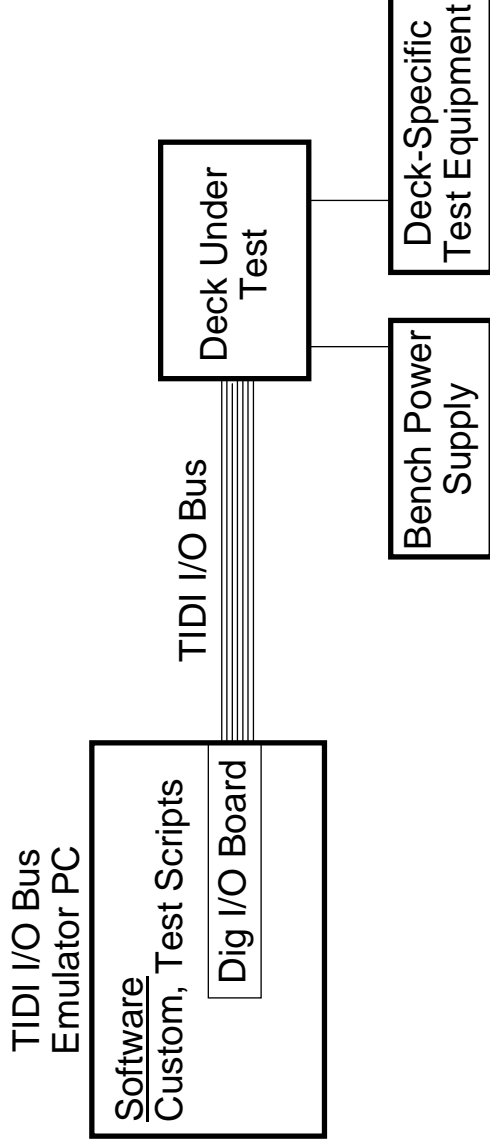
TIDI

Electronics Stack Test Systems

Stephen Musko
Space Physics Research Laboratory
(734) 936-3105
musko@umich.edu

Electronics Stack Test Systems Initial Deck Checkout System

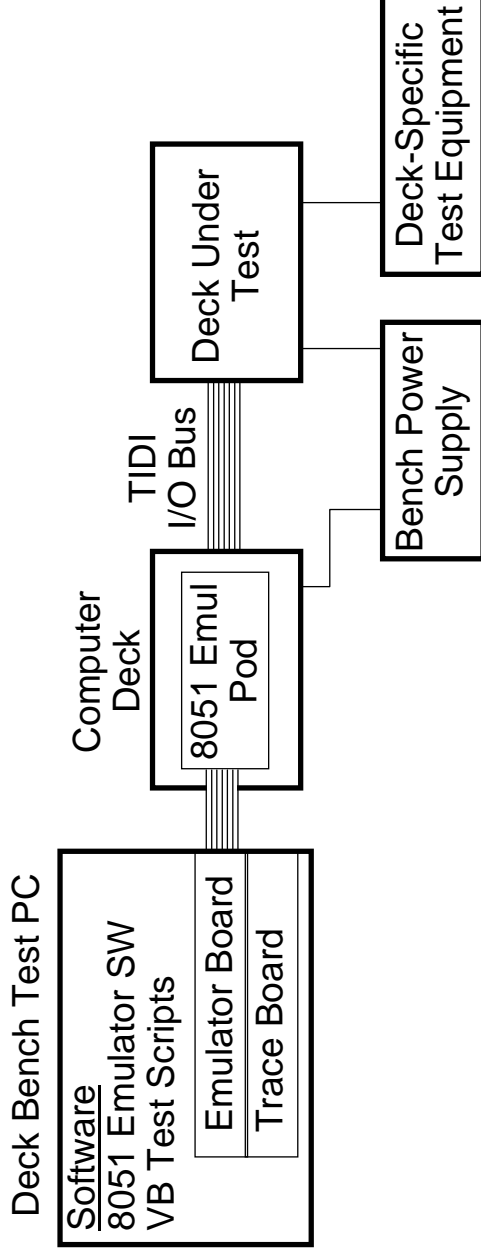
- Emulates TIDI I/O Bus at reduced speed
- Custom software executes single commands and test scripts to control TIDI I/O Bus



Electronics Stack Test Systems

Deck Bench Test System

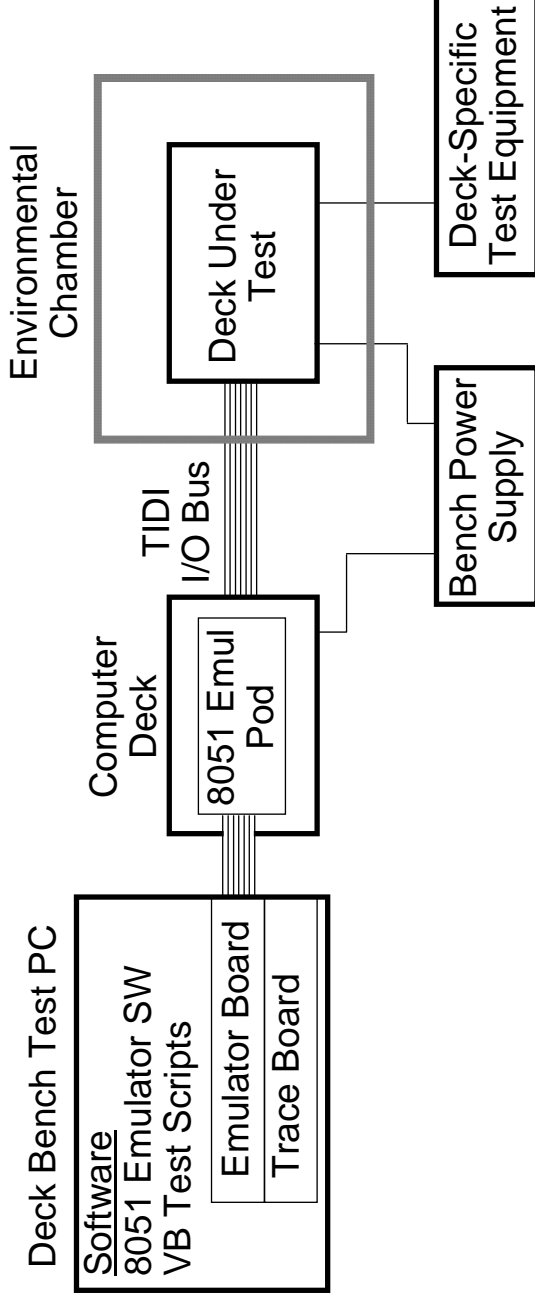
- Used for stand alone hardware testing
- Hardware engineer writes test scripts in the Visual Basic language
- 8051 CPU emulator software executes Visual Basic scripts



Electronics Stack Test Systems

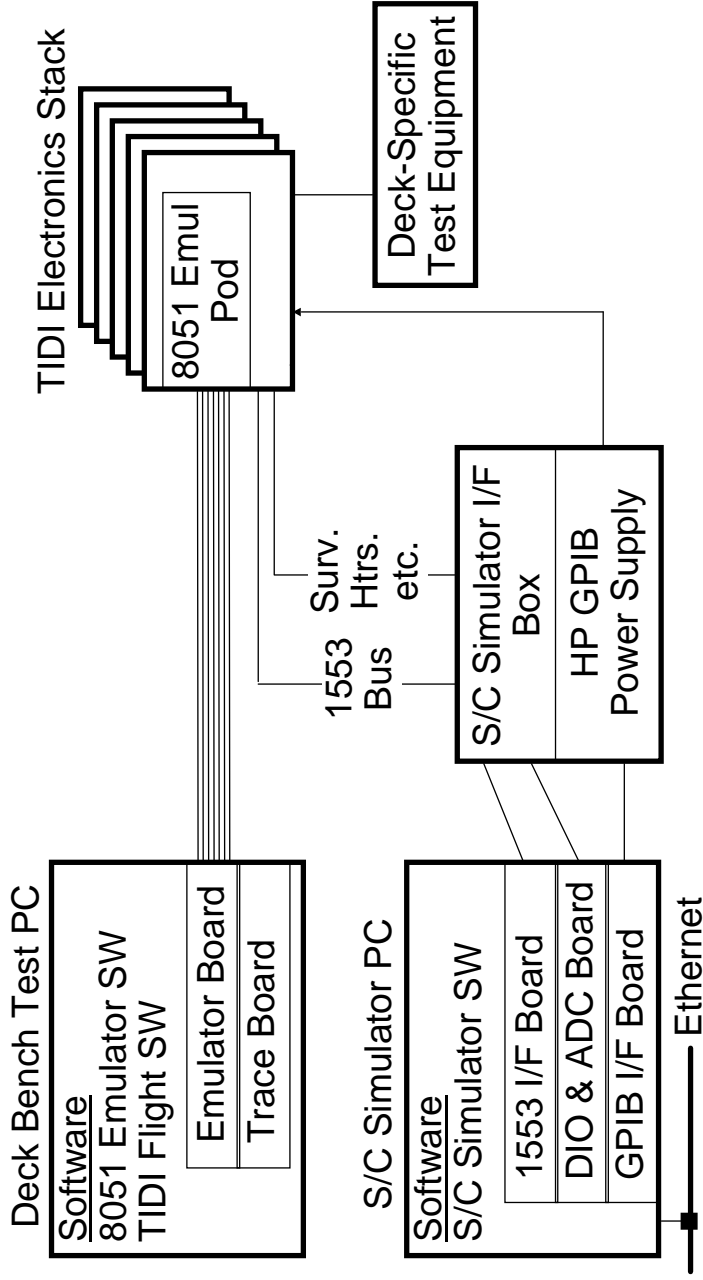
Deck Level Temp Testing

- Same scripts and test equipment as deck bench testing
- Test scripts are executed with the Deck Under Test in the environmental chamber



Electronics Stack Test System Stack Integration System

- **Used for**
 - **Electronic stack hardware integration**
 - **Hardware/Flight Software integration**
 - **Flight Software testing**





Electronics Stack Test Systems Stack Temp Testing System

