

Introduction

Scientists need to consider size, mass and cost when designing a satellite. Although more data is returned by larger satellites, it isn't simply a matter of doubling or tripling the dimensions of a satellite that lead to a good design. When you double the size of a design, the volume increases by 8 times and so does the mass and cost of the satellite. The IMAGE satellite is designed to be built for under \$30 million, and has a mass of 70 kilograms, but doubling its size would cause the mass to increase to 1/2 ton and its cost to rise to \$240 million!

Objective

The student will calculate the volume of the satellite. Based on the results, the student will determine patterns and relationships to see how change affects the mass and the cost of the instruments.

Procedure

- 1) Read the students the introduction to the IMAGE Dimension Activity, or discuss the key points with the students.
- 2) Allow students to complete questions 1, 2 and 3. Discuss student responses to these questions and the implications of increasing the size of the instruments on the satellite. Refer to the Introduction as necessary.
- 3) Discuss how the change in the dimensions affects the mass. Allow students time to complete activity 4. Discuss the results.
- 4) Discuss how the cost of the satellite is affected by increasing the dimensions and how it is proportional to the mass. Allow students to complete question 5. Discuss the results.

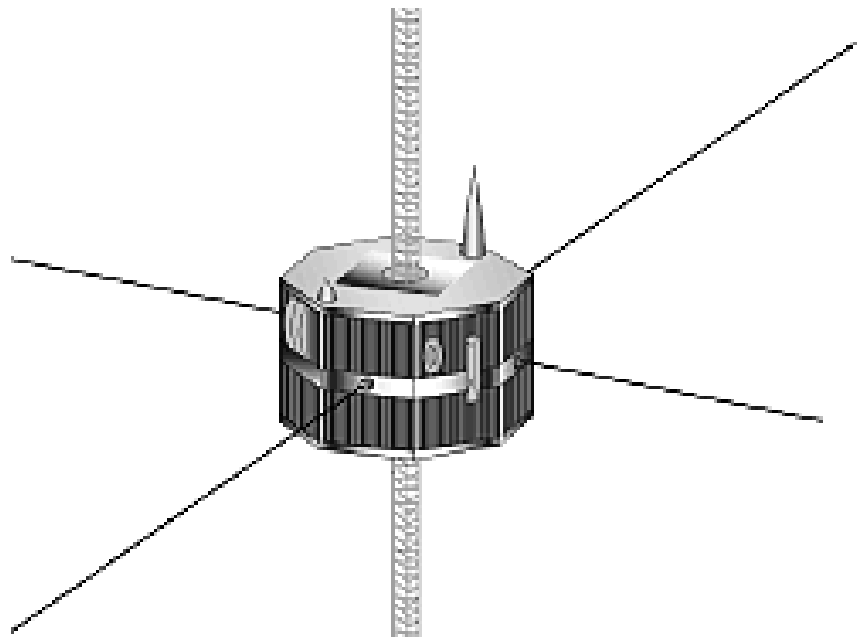
- 5) Have students complete question 6 and 7. Provide time for students to give possible responses. Discuss why a scientist may want a bigger satellite and the implications of scaling to the independent components.

Materials

- Introduction to the IMAGE Dimension Activit
- Teacher Answer Ke
- Student Pages

Conclusion

When designing spacecraft, it is important to know how the cost and capabilities of the satellite will scale as you change its dimensions.



Introduction to the IMAGE Dimension Activity

The IMAGE satellite must meet certain requirements. It must meet a two year mission lifetime, and must be launched on a Delta II rocket with a payload mass limit of 1000 kilograms. It must also cost less than \$50 million.

The scientists need to consider mass, cost, and volume when designing a satellite. There are numerous instruments that need to be scaled, and all of the factors mentioned above must be considered.

For instance, if a detector is chosen, the dimensions need to be investigated to determine the final instrument cost. As in the following activity, if a dimension is doubled, the mass increases by $2 \times 2 \times 2$ or a factor of 8. In turn, the cost increases in proportion to the mass, which in this case is also a factor of 8.

In addition, any change in the dimensions impacts on the other instruments in the satellite, the labor needed to assemble it, salaries, and the launch vehicle required for the extra mass and size. The IMAGE satellite will require a rocket to launch it. If the satellite's size is quadrupled, it would require the Space Shuttle to launch it. The difference in the launch cost alone is \$50 million for the rocket compared to \$700 million for the Space Shuttle.

The major constraint on the IMAGE project is cost. The IMAGE satellite must be built, launched and operated for 2 years at a total cost less than or equal to \$60 million. Nearly all of the cost of any mission is in the salaries of the scientists and engineers needed to manufacture the satellite and the rocket.

In response to the question of why a scientist would want a bigger satellite, it is purely based on the amount of information that is being sought. The IMAGE satellite is designed to provide 2-D images of various phenomena in space. An increase in the dimensions will cause an increase in the size due to the need to acquire more data. Doubling the sizes of an electronic camera, in turn, quadruples the amount of data it can capture and send down to the scientists on the ground.

However, the question of size is more involved than this. The instruments of the IMAGE satellite, which have been the major focus, are not the only things to consider in satellite design. In terms of scaling, when the size of the instruments double, it does not necessarily mean that the size of the satellite will double. Actually, the instruments are only a small part of the total spacecraft size compared to the other satellite systems and hardware. The components of the satellite can also be scaled independently. Doubling the size of one instrument may not necessarily double the size of the electrical power required to operate it, and so, double the size of the power supply needed to provide the electricity.

Teacher's Answer Page

The IMAGE satellite's construction involves a number of different instruments. These instruments are analyzed to determine the dimensions that will provide the most efficient satellite while minimizing the weight and cost. In order to help you understand the possible factors involved in the dimensions, mass and cost; complete the following activities.

1. Calculate the volume of the following instruments and spacecraft components. The dimensions are given in cubic centimeters in the following table:

Instrument	1x Volum	8x Volum	27x Volume	64x Volume
LENA	8100	64800	218700	518400
MENA	8100	64800	218700	518400
HENA	9000	72000	243000	576000
TAC/ADC	1620	12960	43740	103680
HV Electronics	2592	20736	69984	165888
Spectrometer	35712	285696	964224	2285568
WB Camera	5070	40560	136890	324480
Electronics	5400	38400	129600	307200
Sensors	2250	18000	60750	144000

2. When the dimensions of the satellite are doubled, by what factor is the volume increased
What factor is the increase when the dimensions are tripled and quadrupled

8, 27, 64

3. Is there any noticeable connection between two or more of these factors of increase
Doubling and quadrupling are multiples of each other, and the results of 8 and 64 are multiples as well.

4. The mass of the IMAGE satellite increases proportional to the volume. If the dimensions are doubled, the mass increases by the cube of the factor or $2 \times 2 \times 2 = 8$. The mass of the satellite is 261 kg. Determine the mass increase when the dimensions are doubled, tripled and quadrupled.

Doubled = **2088 kg** Tripled = **7047 kg** Quadrupled = **16704 kg**

5. The cost of the satellite also increases proportional to the mass. The cost for the original dimensions is \$28.4 million. What is the cost for each of the various increases

Doubled = **\$227.2 million** Tripled = **\$766.8 million** Quadrupled = **\$1.818 billion**

6. In your own words, please write the process involved in determining the volume, mass and cost of the IMAGE satellite. Why would a scientist want a 'bigger' satellite
Students response will vary. The bigger the satellite, the more information that is being sent to the scientists. Bigger does not necessarily mean better.

Name _____

Date _____

The IMAGE satellite's construction involves a number of different instruments. These instruments are analyzed to determine the dimensions that will provide the most efficient satellite while minimizing the weight and cost. In order to help you understand the possible factors involved in the dimensions, mass and cost; complete the following activities.

1. Calculate the volume of the following instruments and spacecraft components. The dimensions are given in centimeters in the following table:

Instrument	Dimension	Double	Triple	Quadruple
LENA	36x15x15	72x30x30	108x45x45	144x60x60
MENA	36x15x15	72x30x30	108x45x45	144x60x60
HENA	30x10x30	60x20x60	90x30x90	120x40x120
TAC/ADC	18x18x5	36x36x10	54x54x15	72x72x20
HV Electronics	18x18x8	36x36x16	54x54x24	72x72x32
Spectrometer	62x36x16	124x72x32	186x108x48	248x144x64
WB Camera	26x15x13	52x30x26	78x45x39	104x60x52
Electronics	15x20x18	30x40x32	45x60x48	60x80x64
Sensors	15x15x10	30x30x20	45x45x30	60x60x40

2. When the dimensions of the satellite are doubled, by what factor is the volume increased
What factor is the increase when the dimensions are tripled and quadrupled
3. Is there any noticeable connection between two or more of these factors of increase
4. The mass of the IMAGE satellite increases proportional to the volume. If the dimensions are doubled, the mass increases by the cube of the factor or $2 \times 2 \times 2 = 8$. The mass of the satellite is 261 kg. Determine the mass increase when the dimensions are doubled, tripled and quadrupled.

Doubled = Tripled = Quadrupled =

5. The cost of the satellite also increases proportional to the mass. The cost for the original dimensions is \$28.4 million. What is the cost for each of the various increases

Doubled = Tripled = Quadrupled =

6. In your own words, please write the process involved in determining the volume, mass and cost of the IMAGE satellite. Why would a scientist want a 'bigger' satellite