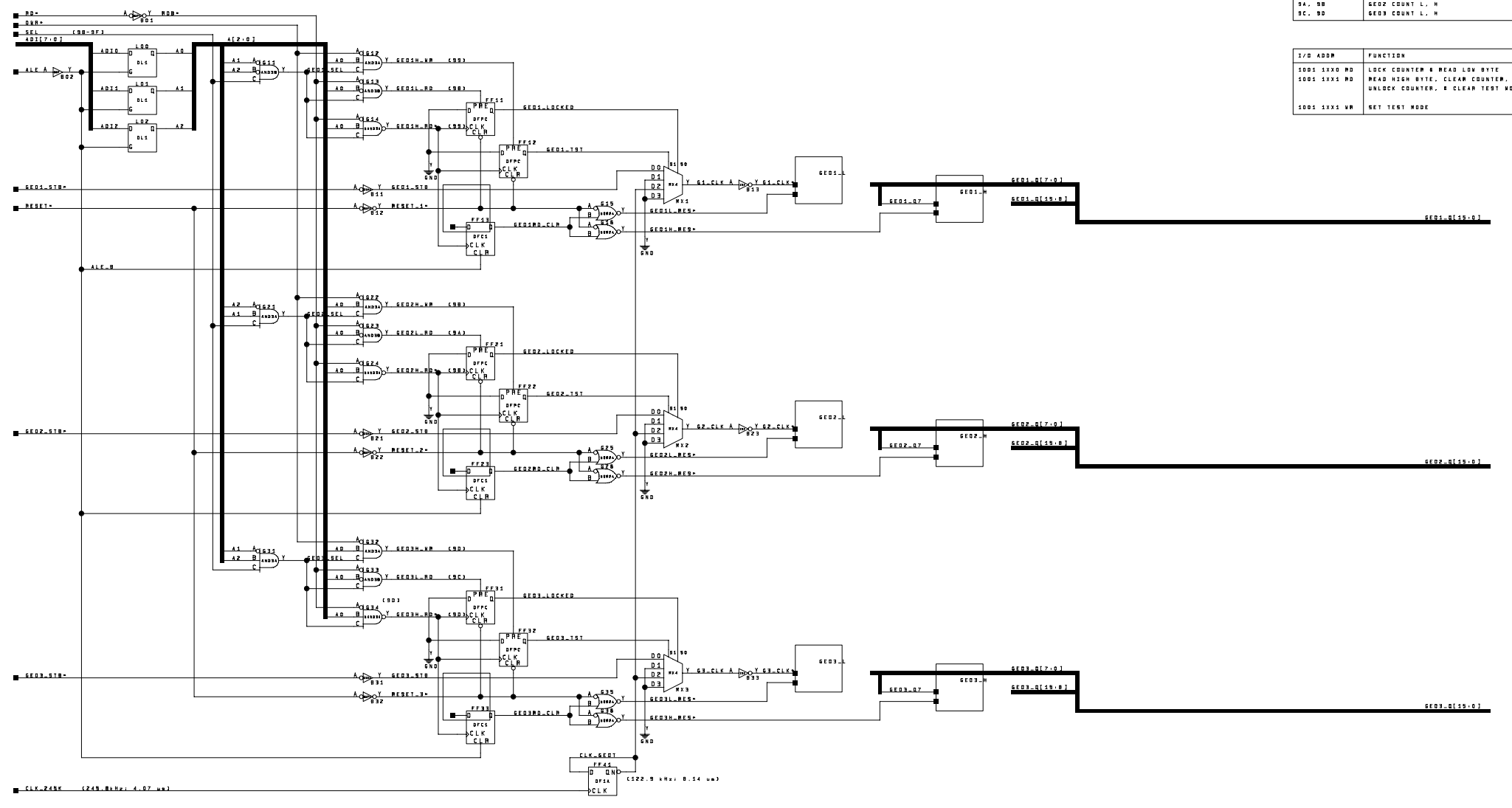


I/O ADDR	FUNCTION
98, 99	GE01 COUNT L, H
9A, 9B	GE02 COUNT L, H
9C, 9D	GE03 COUNT L, H

I/O ADDR	FUNCTION
1001 1X0 RD	LDCK COUNTER & READ LOW BYTE
1001 1X1 RD	READ HIGH BYTE, CLEAR COUNTER, UNLOCK COUNTER, & CLEAR TEST MODE
1001 1X1 WR	SET TEST MODE



C.A. Ingraham 1988-01-17  
 C.A. Ingraham 1993-01-04  
 C.A. Ingraham

Schematic  
 DPUPWR Act03 GEO\_CNT Block