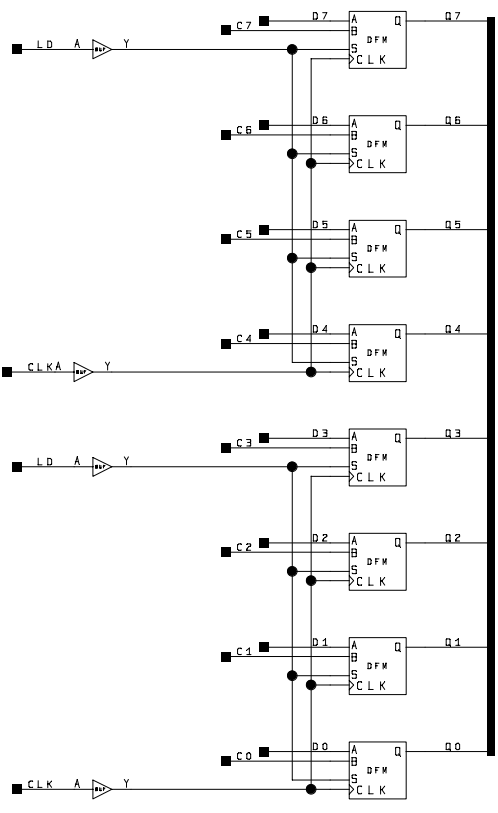
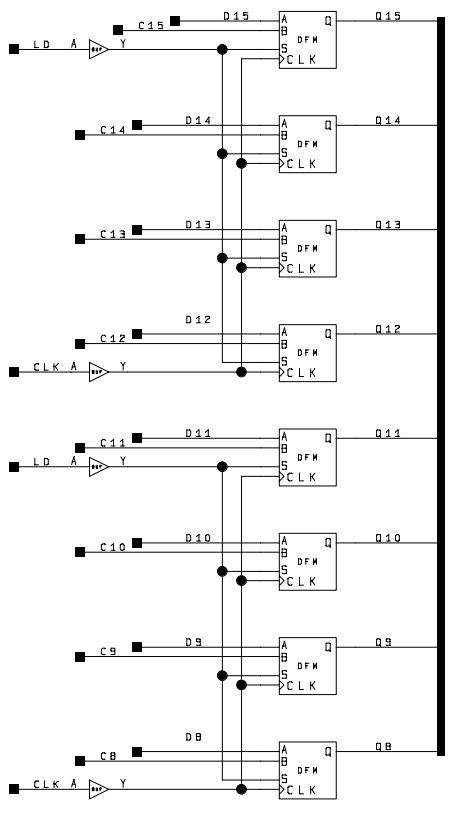


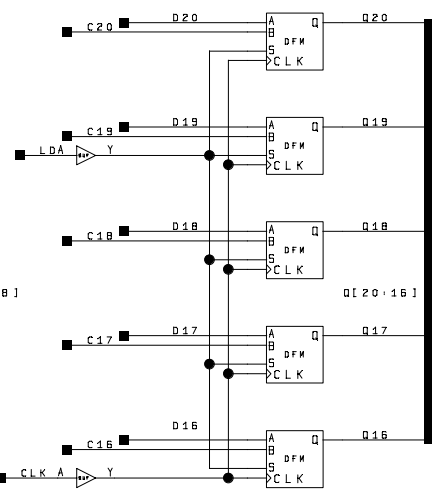
C[20:0]  
 D[20:0]  
 Q[20:0]



Q[7:0]



Q[15:8]



Q[20:16]

21 bit register with load