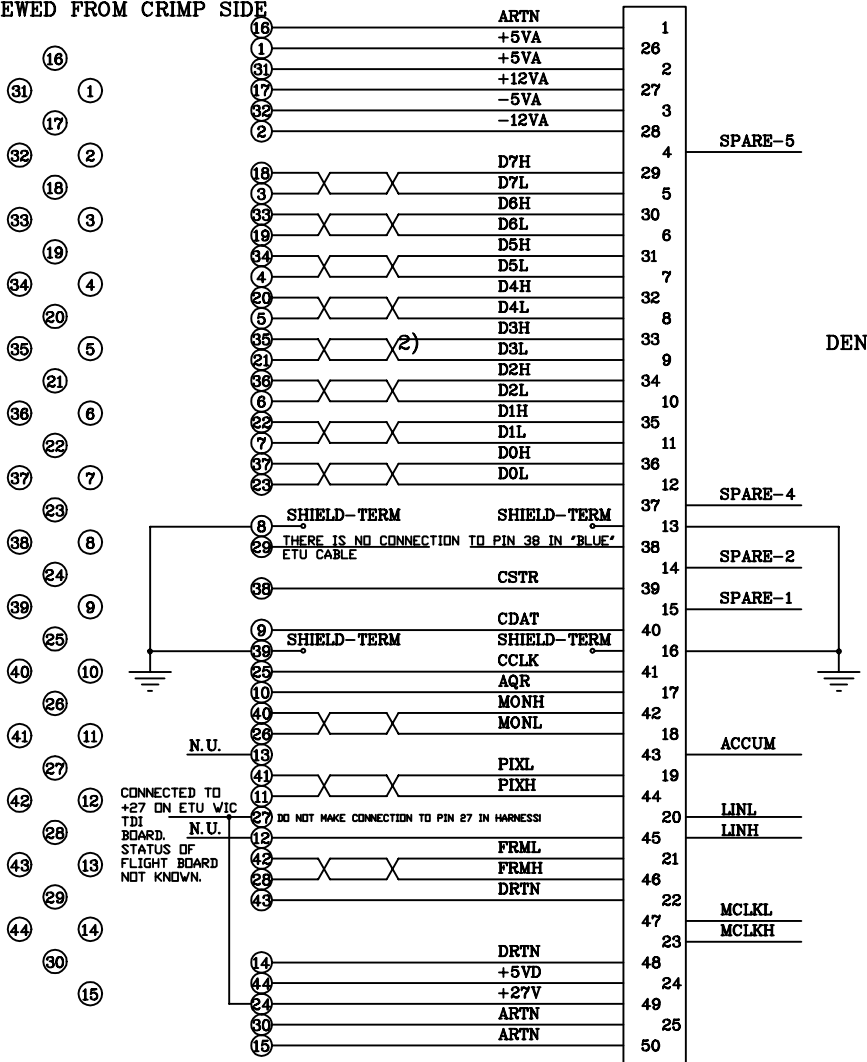


P6 (TDI)
HDD-22-44S
REFERENCE ONLY
VIEWED FROM CRIMP SIDE

HARNESS
(TBD)

P14 (FEC)
WIBV50PCSY
VIEWED FROM SOLDER TAIL SIDE



DENOTES TWISTED PAIR (1t/in MIN)

THIS DRAWING WAS MADE FROM A MARKED UP VENDOR DRAWING AFTER DEBUGGING A PROBLEM IN WHICH THE ETU VIC CAMERA SHORTED OUT THE POWER SYSTEM. IT REPRESENTS OUR BEST KNOWLEDGE AT THE REVISION DATE, BUT MAY STILL HAVE BUGS.

- NOTES:
1) ALL WIRES #24 AWG STRNADED P/N-TBD
3) MAXIMUM LENGTH 5 FEET.

REVIEWS (NAME/DATE)		TITLE: IMAGE FUV UNIVERSITY OF CALIFORNIA AT BERKELEY SPACE SCIENCES LABORATORY	
CHECKED	CURRENT RELEASE	INITIAL RELEASE	FEC TO WIC TDI HARNESS
SYS ENGR			
ORIGINAL FILE NAME:	DWG NO:	DATE:	REV:
DRAWN BY: H. HEETDERKS	8389-A4	26 FEB, 1999	A