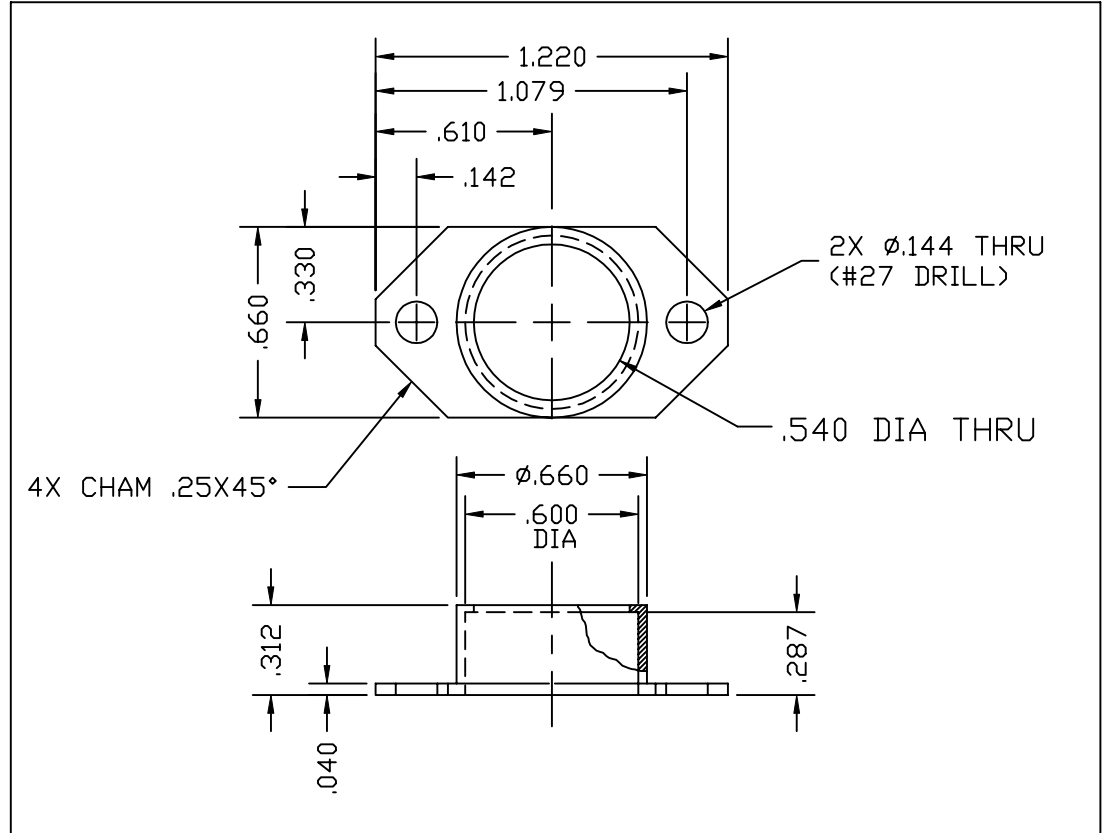


25.4 mm
1 inch

REVISIONS			
REV.	DESCRIPTION	DATE	APPROVED
A	BASELINE RELEASE	11/18/98	
B	MADE UNIT CAPTIVE	11/18/98	



1	A/R	ALUMINUM, 6061-T6	QQ-A-250/12
ITEM#	QTY	PART NUMBER	NOMENCLATURE
TOLERANCES (EXCEPT AS SPECIFIED)		DO NOT SCALE DRAWING ENGLISH DRAWING (UNITS: inches)	
OVER	TO	TOLERANCE	<i>Experimental Astrophysics Group</i> UNIVERSITY OF CALIFORNIA, BERKELEY, USA DWG TITLE THERMO-SWITCH MOUNT FUV SI
0	1.999	±0.004	
2	9.999	±0.02	
10	-	±0.04	INTERPRET PER ANSI Y14.5-1982 WELDING SYMBOLS PER ANSI/AWS A2.4-79
ANGLES		±1°	APPROVALS
SURFACE FINISH		1.6	DATE
SURFACE TREATMENT		GOLD ALODINE PER MIL-C-5541, CLASS 3	DRAWN K. KROMER 11/18/98
MASS		CHECKED	ISSUED
SIZE	PROGRAM	DWG. NO.	REV
A	IMAGE	8382-A4	A
SCALE 2:1		SHEET 1 OF 1	