

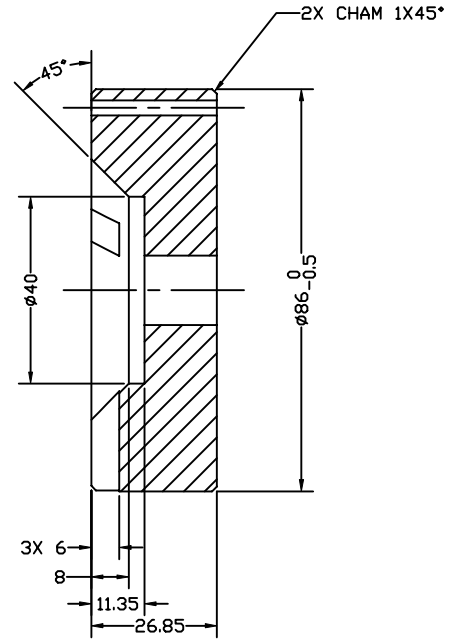
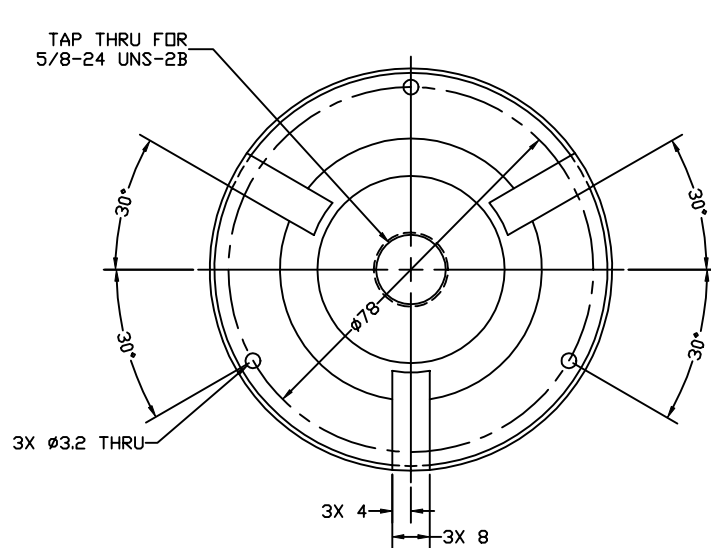
4

3

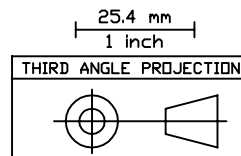
2

1

REVISIONS			
REV.	DESCRIPTION	DATE	APPROVED
A	BASELINE RELEASE	10/16/98	



1	A/R	TITANIUM, 6Al-4V		
ITEM#	QTY	PART NUMBER	NOMENCLATURE	MATERIAL SPECIFICATION
TOLERANCES (EXCEPT AS SPECIFIED)		DO NOT SCALE DRAWING METRIC DRAWING (UNITS: mm)		
OVER	TO	TOLERANCE	<i>Space Sciences Laboratory</i> UNIVERSITY OF CALIFORNIA, BERKELEY, USA DWG TITLE <b>FLEX-OPTIC MOUNT</b> <b>WIC TELESCOPE TEST</b>	
0	49.99	±0.1		
50	249.9	±0.5	INTERPRET PER ANSI Y14.5-1994 WELDING SYMBOLS PER ANSI/AWS A2.4-79	
250		±1	APPROVALS	DATE
ANGLES		±1°	DRAWN	K. KROMER
SURFACE FINISH		1.6	CHECKED	
SURFACE TREATMENT		NONE	ISSUED	
MASS			SIZE	B
THIRD ANGLE PROJECTION			PROGRAM	IMAGE
			DWG. NO.	8377-A4
			REV	A
			SCALE	FULL
			SHEET	1 OF 1



4

3

2

1