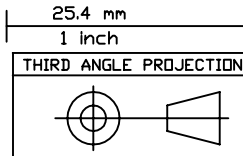
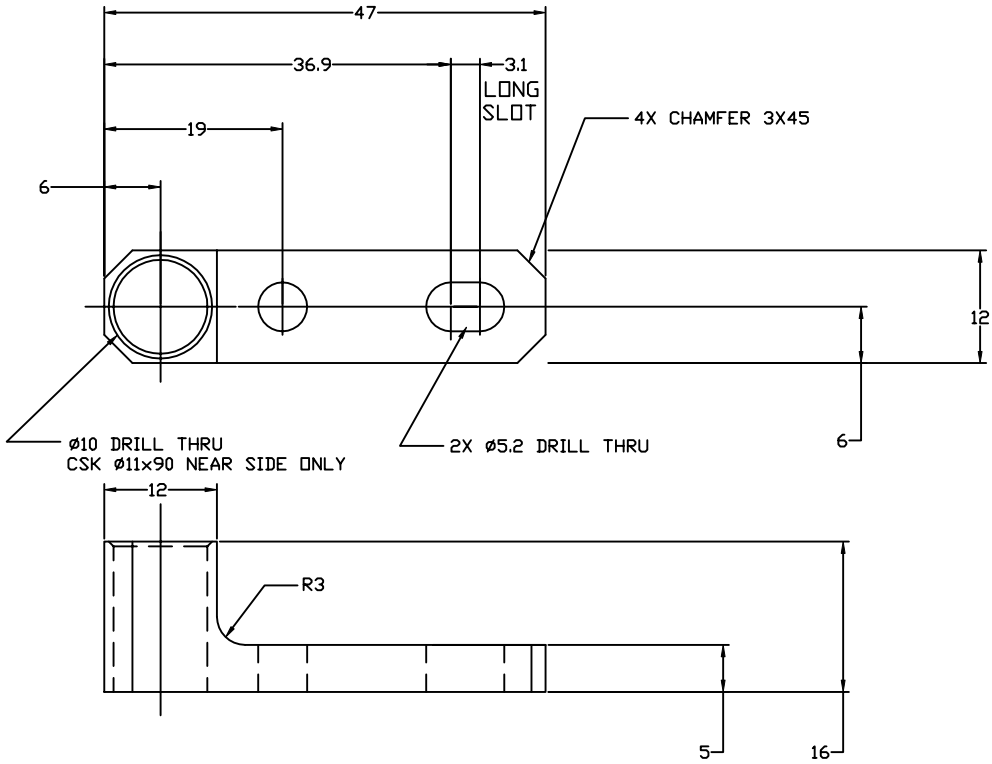


REVISIONS			
REV.	DESCRIPTION	DATE	APPROVED
A	INITIAL RELEASE	08SEP98	



1	A/R	COPPER, C10100	QQ-C-502
ITEM#	QTY	PART NUMBER	NOMENCLATURE
TOLERANCES (EXCEPT AS SPECIFIED)		DO NOT SCALE DRAWING	
OVER	TD	METRIC DRAWING	
0	49.99	(UNITS: mm)	
50	249.9	INTERPRET PER ANSI Y14.5-1994	
250	-	WELDING SYMBOLS PER ANSI/ASME A2.4-79	
ANGLES	-	DWG TITLE	
SURFACE FINISH 1.6		FUV SI DETECTOR	
SURFACE TREATMENT		THERMAL STRAP DECKPLATE LUG	
MASS		APPROVALS	DATE
THIRD ANGLE PROJECTION		DRAWN J. L. TOM	08SEP98
1 inch		CHECKED	
25.4 mm		ISSUED	
THIRD ANGLE PROJECTION		SIZE B	PROGRAM IMAGE
1 inch		DWG. NO.	8372-A4
25.4 mm		SCALE	
THIRD ANGLE PROJECTION		SHEET 1 OF 1	

A