

REV	DESCRIPTION	BY	DATE
A	INITIAL UCB RELEASE OF CIRCUIT MODIFIED FROM SWRI DWG. NO. 26401	HDH	11JUL98

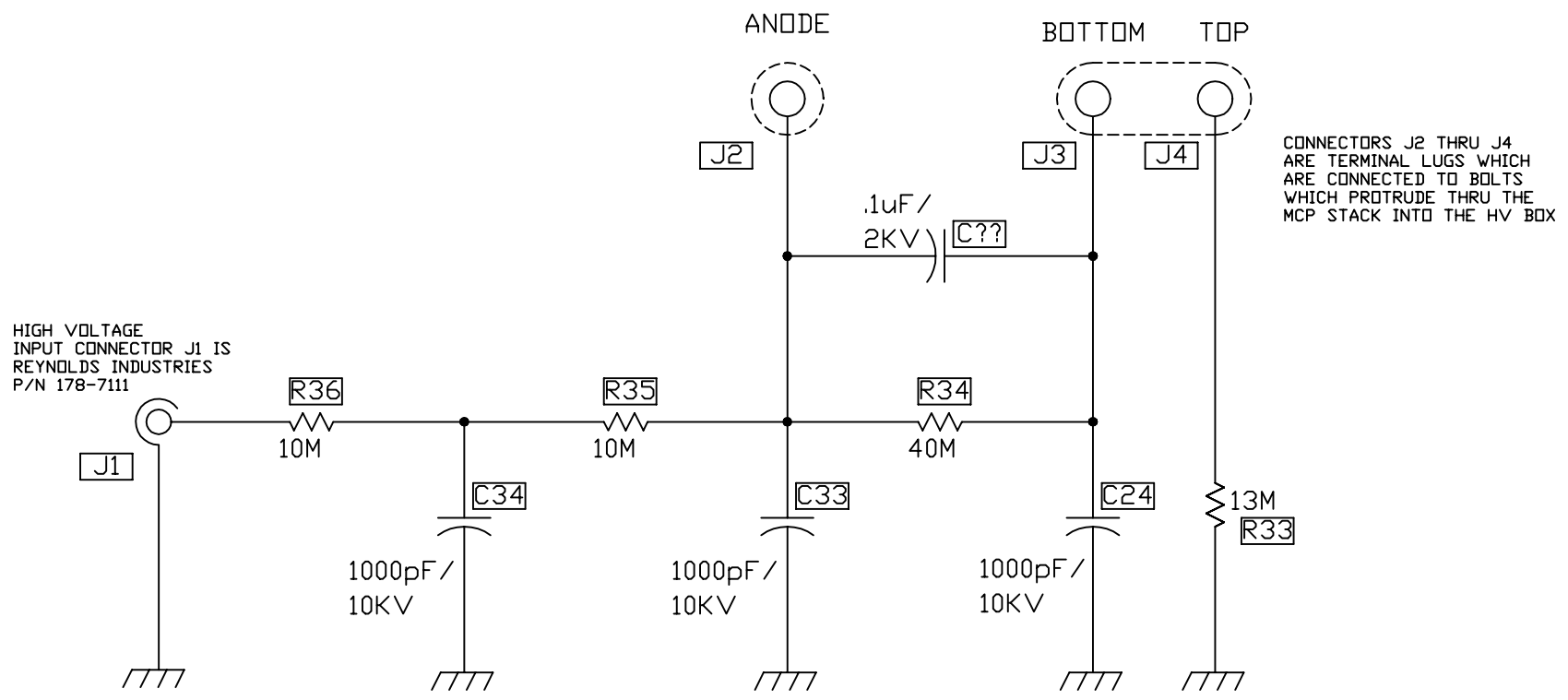


IMAGE MENA		UNIVERSITY OF CALIFORNIA AT BERKELEY	
SPACE SCIENCES LABORATORY		TITLE:	
DETECTOR HIGH VOLTAGE FILTER BOX SCHEMATIC			
FILE NAME:		DWG NO:	8356-A4
DRAWN BY:	H. HEETDERKS	DATE:	11 JULY, 1998
		REV:	A