

REV	DESCRIPTION	BY	DATE
A	INITIAL RELEASE	HDH	11JUN98
B	ADDED VENT HOLE IN LOWER LEFT CORNER	HDH	31JUL98

NOTES:

- 1) TOLERANCES +/- .003 EXCEPT FIT IN 8322 BOX AS NOTED.
- 2) BREAK ALL EDGES, THEN ALLODYNE 600.
- 3) MATERIAL IS ALUMINUM 6061-T6. CERTS REQUIRED ON MATERIAL

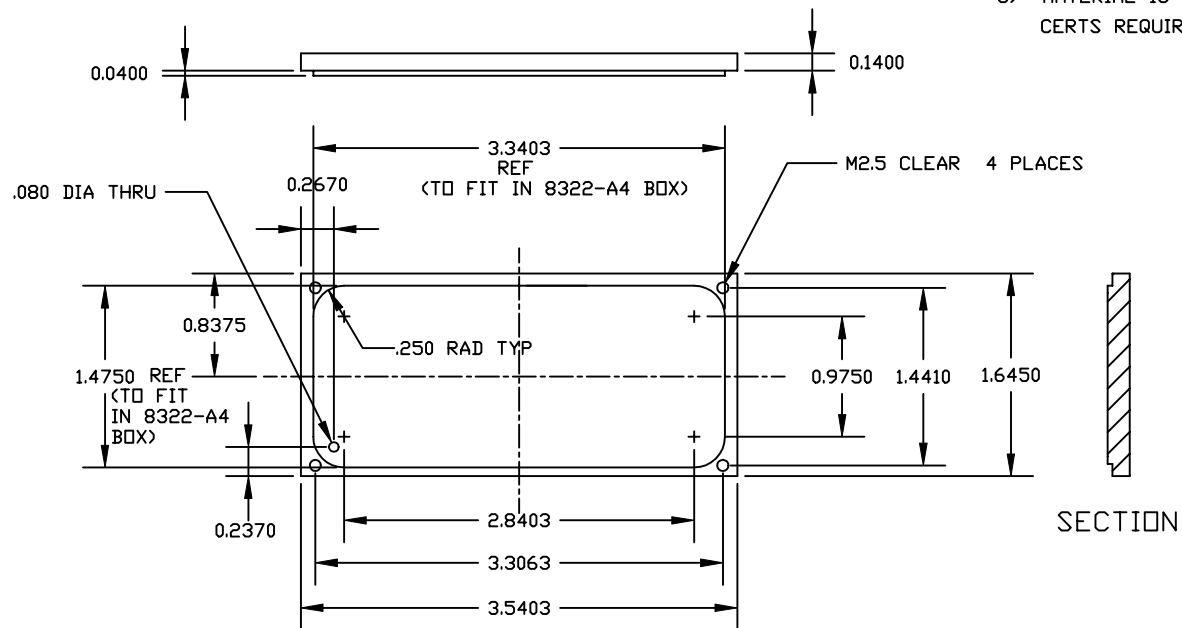


IMAGE FUV UNIVERSITY OF CALIFORNIA AT BERKELEY
 SPACE SCIENCES LABORATORY

REVIEWS (NAME/DATE)	
CURRENT RELEASE	INITIAL RELEASE

TITLE: MENA CHAMP THICK COVER

CHECKED		ORIGINAL FILE NAME:		DWG NO:	8346-A4	REV	B
SYS ENGR		DRAWN BY:	H. HEETDERKS	DATE:	11 JUNE, 1998		