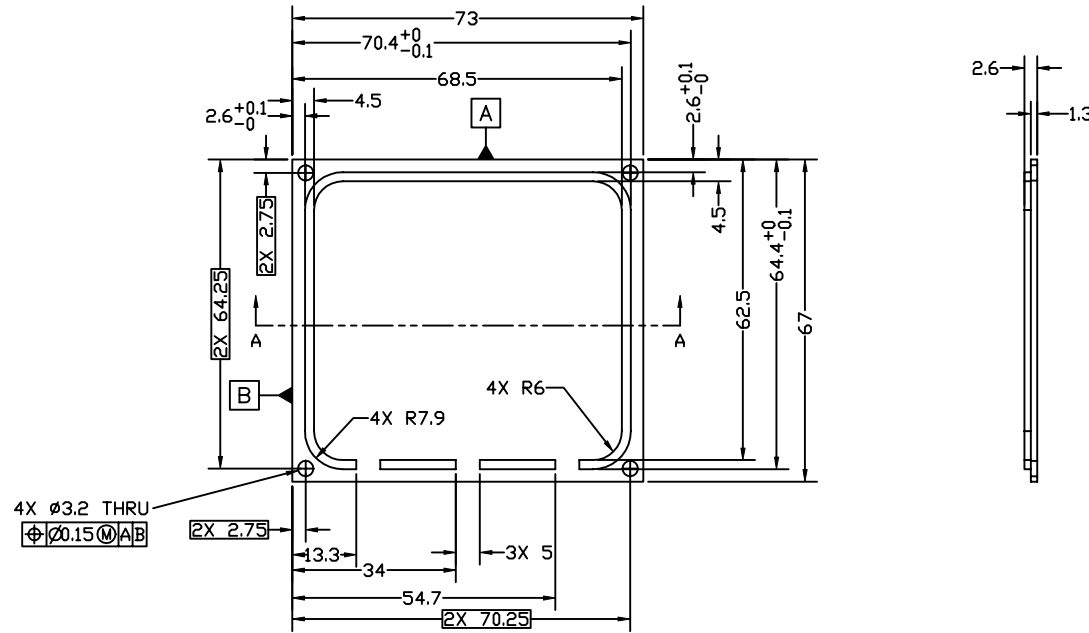
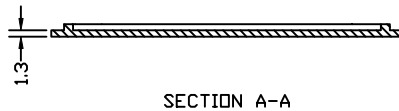


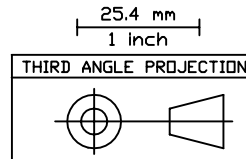
REVISIONS			
REV.	DESCRIPTION	DATE	APPROVED
B	CHANGED HEIGHT TO 67	5/18/98	



- NOTES, UNLESS SPECIFIED OTHERWISE:
1. REMOVE BURRS & BREAK SHARP EDGES, R0.15 MAX
  2. IDENTIFY PART BY BAGGING AND TAGGING
  3. MATERIAL CERTS REQUIRED



SECTION A-A



1	A/R	ALUMINUM ALLOY, 6061-T6	QQ-A-250/11
ITEM#	QTY	PART NUMBER	NOMENCLATURE
TOLERANCES (EXCEPT AS SPECIFIED)		DO NOT SCALE DRAWING	
OVER	TO	METRIC DRAWING	
0	49.99	(UNITS: mm)	
50	249.9	INTERPRET PER ANSI Y14.5-1994	
250	-	WELDING SYMBOLS PER ANSI/AWS A2.4-79	
ANGLES		DWG TITLE	
-		COVER, HV BOX	
SURFACE FINISH 1.6 ✓		MENA DETECTOR BACKPLATE	
SURFACE TREATMENT		APPROVALS	DATE
GOLD ALDINE 600 PER		DRAWN K. KROMER	5/7/98
MIL-C-5541, CLASS 3		CHECKED	
MASS		ISSUED	
19.7g		SIZE B	PROGRAM IMAGE
		DWG. NO.	8326-A5
		SCALE FULL	SHEET 1 OF 1