

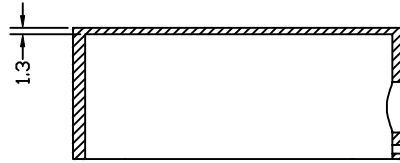
4

3

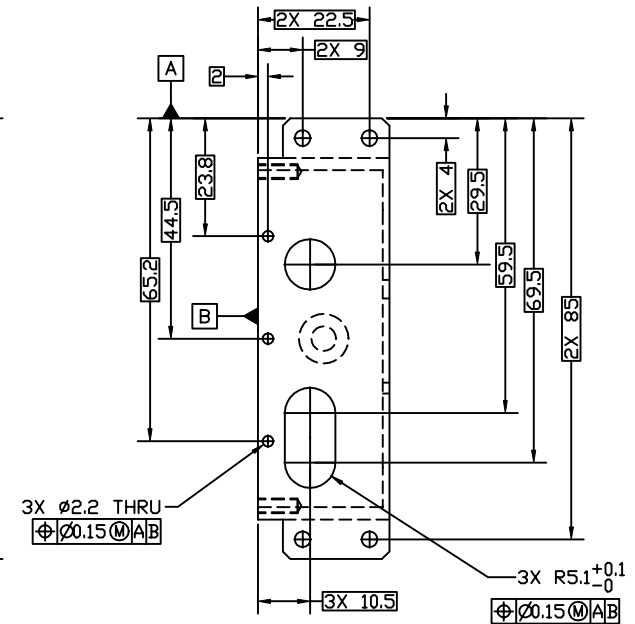
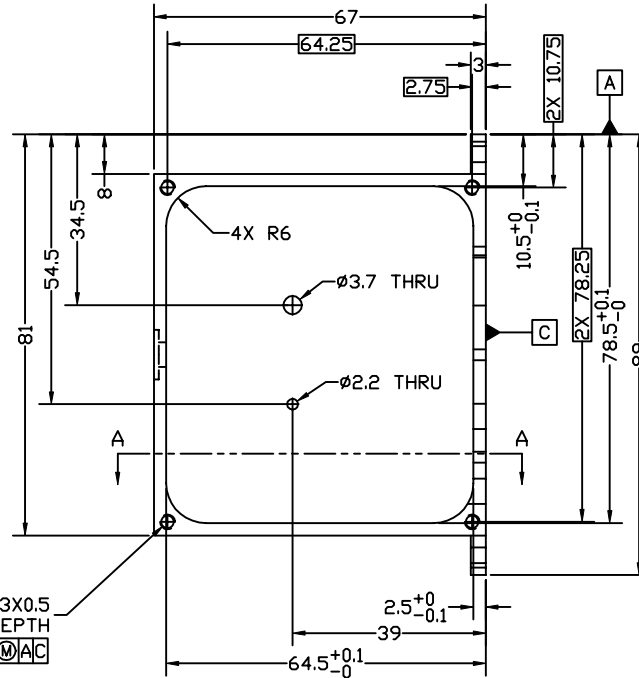
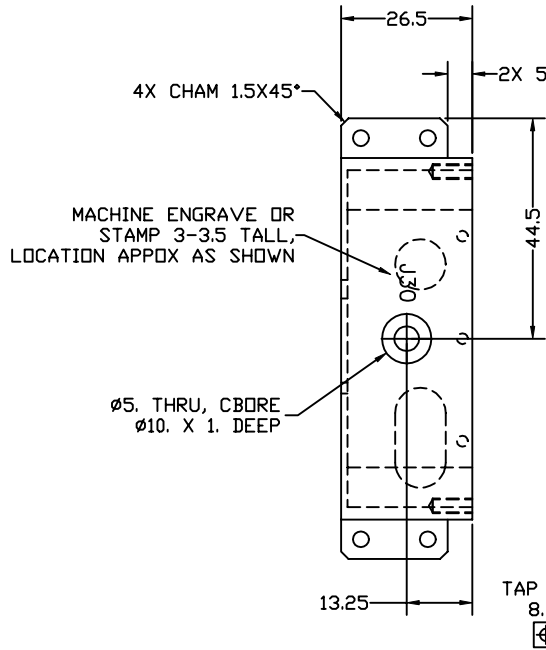
2

1

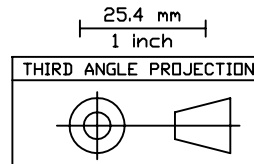
REVISIONS			
REV.	DESCRIPTION	DATE	APPROVED
C	CHANGED Ø1.8 HOLE TO Ø2.2, ADDED J30 STAMP, Ø2.2 AND Ø3.7 HOLES, CHANGED 3X R5.25 TO R5.1	6/17/98	



SECTION A-A



- NOTES, UNLESS SPECIFIED OTHERWISE:
 1. REMOVE BURRS & BREAK SHARP EDGES, R0.15 MAX
 2. IDENTIFY PART BY BAGGING AND TAGGING
 3. MATERIAL CERTS REQUIRED



1	A/R	ALUMINUM ALLOY, 6061-T6	QQ-A-250/11
ITEM#	QTY	PART NUMBER	NOMENCLATURE
TOLERANCES (EXCEPT AS SPECIFIED)		DO NOT SCALE DRAWING	
OVER	TO	METRIC DRAWING	
0	49.99	(UNITS: mm)	
50	249.9	INTERPRET PER ANSI Y14.5-1994	
250	-	WELDING SYMBOLS PER ANS/AWS A2.4-79	
ANGLES		APPROVALS	DATE
-			5/7/98
SURFACE FINISH		DRAWN	K. KROMER
1.6		CHECKED	
SURFACE TREATMENT		ISSUED	
GOLD ALDINE PER MIL-C-5541, CLASS 3		DWG TITLE	
MASS 67.1		Space Sciences Laboratory	
		UNIVERSITY OF CALIFORNIA, BERKELEY, USA	
		HV BOX	
		MENA DETECTOR BACKPLATE	
SIZE	PROGRAM	DWG. NO.	REV
B	IMAGE	8325-A5	C
SCALE	FULL	SHEET	1 OF 1

4

3

2

1