

REV	DESCRIPTION	BY	DATE
A	INITIAL RELEASE	HDH	29APR98
B	ADDED NOTE FOR HOLES IN COVER	HDH	5MAY98
C	CHANGED TITLE	HDH	11JUN98
D	ADDED VENT HOLE IN LOWER LEFT CORNER	HDH	31JUL98

NOTES:

- 1) TOLERANCES +/- .003 EXCEPT FIT IN 8322 BOX AS NOTED.
- 2) BREAK ALL EDGES, THEN ALLODYNE 600.
- 3) MATERIAL IS ALUMINUM 6061-T6. CERTS REQUIRED ON MATERIAL

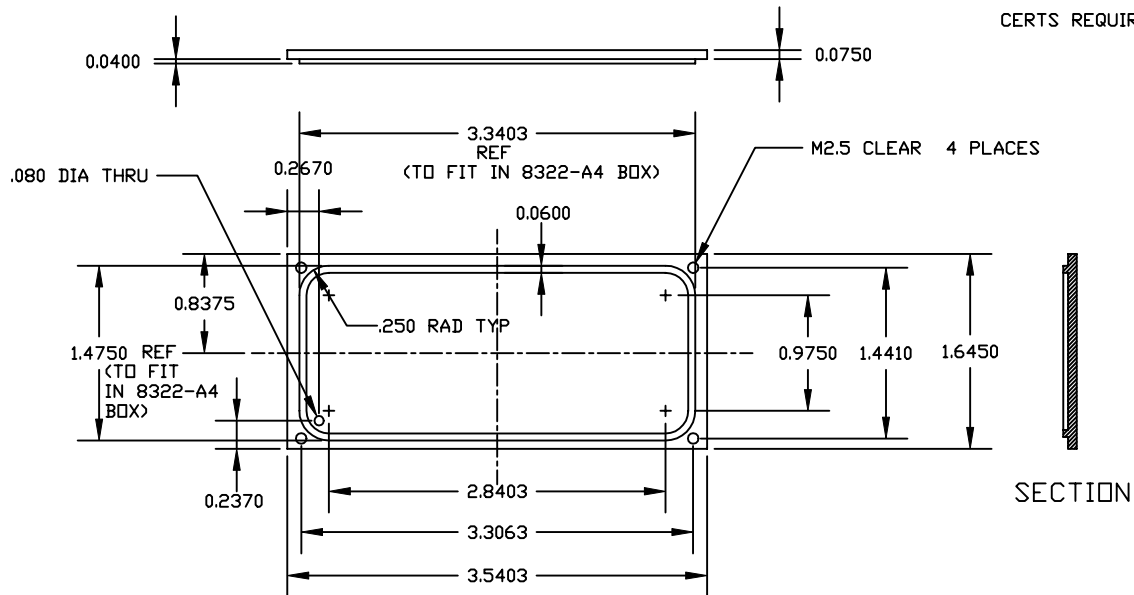


IMAGE FUV UNIVERSITY OF CALIFORNIA AT BERKELEY
SPACE SCIENCES LABORATORY

TITLE: MENA CHAMP THIN COVER

CHECKED	REVIEWS (NAME/DATE)		ORIGINAL FILE NAME: Champ_Box.dwg	DWG NO: 8323-A4	REV: D
	CURRENT RELEASE	INITIAL RELEASE			
SYS ENGR			DRAWN BY: H. HEETDERKS	DATE: 29 APRIL, 1998	