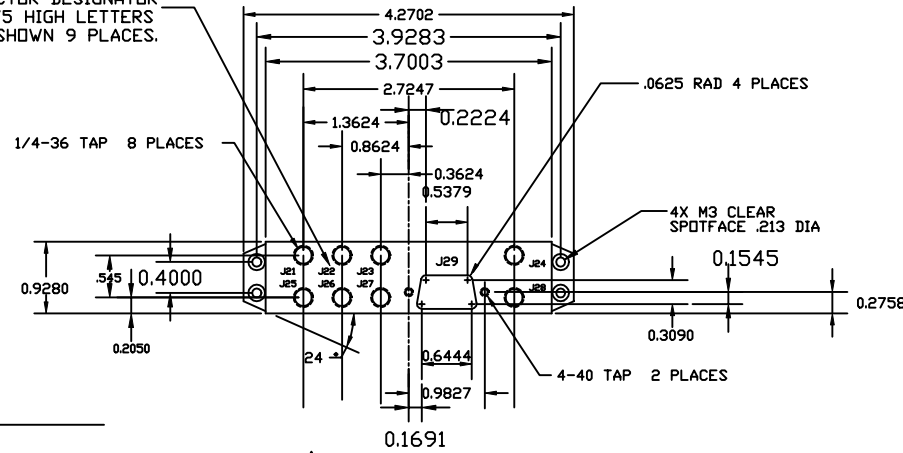


REV	DESCRIPTION	BY	DATE
A	INITIAL RELEASE	HDH	29APR98
B	CHANGE TO FRONT MOUNT SMA's	HDH	12MAY98
C	CHANGE WALL THICKNESS TO .180"; ADD CONNECTOR REF. DESIGNATORS.	HDH	11JUN98

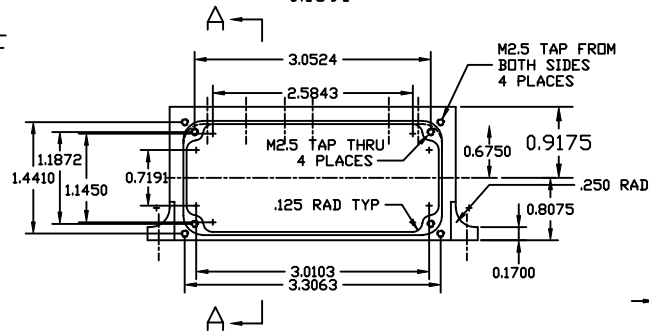
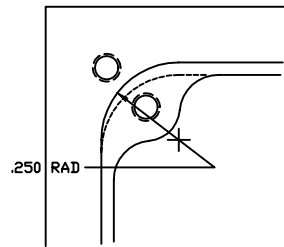
STAMP CONNECTOR DESIGNATOR WITH .075 HIGH LETTERS AS SHOWN 9 PLACES.



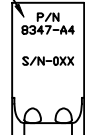
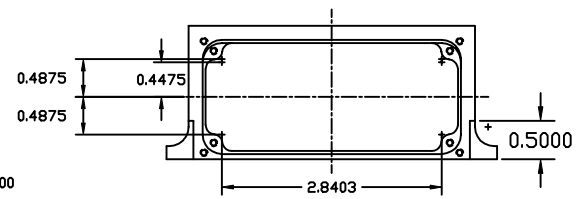
- NOTES:
- 1) TOLERANCE ON HOLE LOCATIONS AND EDGES IS +/- .003
 - 2) BREAK ALL EDGES, THEN ALDODYNE 600.
 - 3) MATERIAL IS ALUMINUM 6061-T6. CERTS REQUIRED ON MATERIAL

STAMP PART NUMBER AND SERIAL NUMBER USING .1" LETTERS IN APPROX POSITION SHOWN.

START WITH S/N ----



SECTION A-A



REVIEWS (NAME/DATE)		TITLE		UNIVERSITY OF CALIFORNIA AT BERKELEY	
CURRENT RELEASE	INITIAL RELEASE	FILE NAME	DATE	SPACE SCIENCES LABORATORY	
CHECKED		ORIGINAL		DRAWN	
SYS ENGR		FILE NAME: Champ_Box.dwg	DATE: 29 APRIL, 1998	BY: H. HEETDERKS	
				DWG NO.	REV
				8322-A4	C