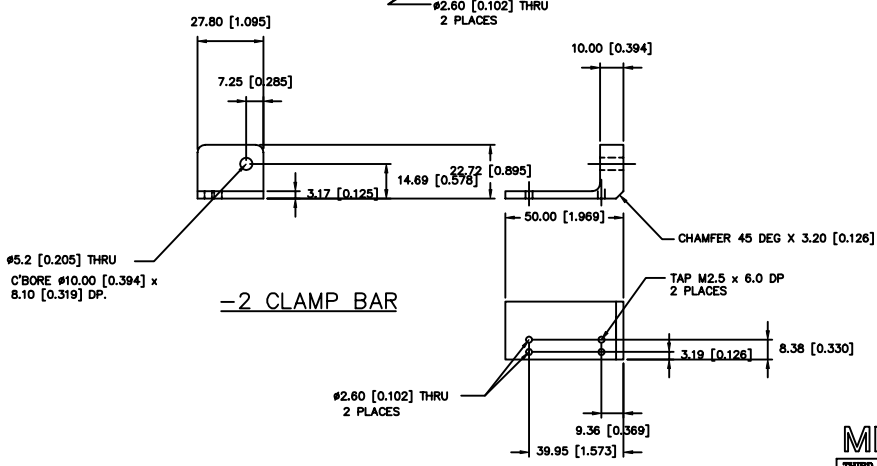
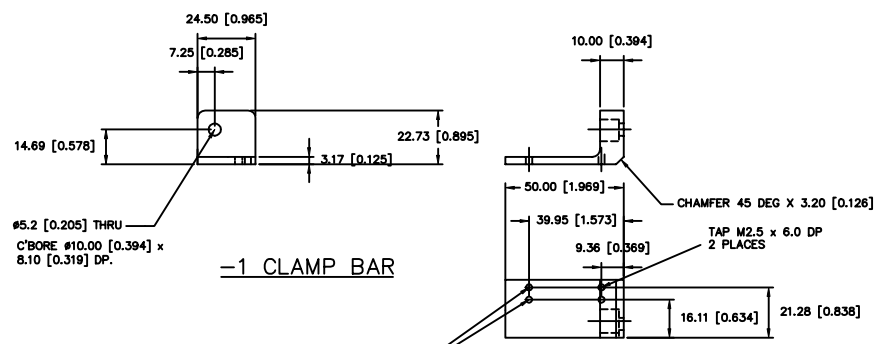


REVISIONS				
ZONE	REV.	DESCRIPTION	DATE	APPROVED
B		MOVED HOLES AND ADDED TAPPED HOLES	14MAY98	J.L.TOM



- NOTES (UNLESS OTHERWISE SPECIFIED):
1. INTERPRET DRAWING PER ANSI Y14.5M-1994.
 2. SURFACE TREATMENT: ALODINE 600 (GOLD) PER MIL-C-5541, CLASS 3
 3. REMOVE BURRS & BREAK SHARP EDGES.

METRIC

ITEM No.		PART OR IDENTIFYING No.		6061-T6 ALUM. ALLOY		Q0-A-250/11	
QUANTITY		DESCRIPTION		PARTS LIST		SPECIFICATION	
THIRD ANGLE PROJECTION				CONTRACT No.			
DRAWN BY				APPROVALS			
CHECKED BY				DATE			
TREATMENT				DRAWN BY			
FINISH				CHECKED BY			
ISSUED BY				ISSUED DATE			
REVISIONS				SCALE			
MATERIAL				WEIGHT			
APPLICATION				ACQUANT No.			

SPACE SCIENCES LABORATORY
UNIVERSITY OF CALIFORNIA - BERKELEY

TITLE: REAR FLANGE CLAMP BARS WIC EMI SHIELD

SIZE: NO. 8321-A4 REV. B