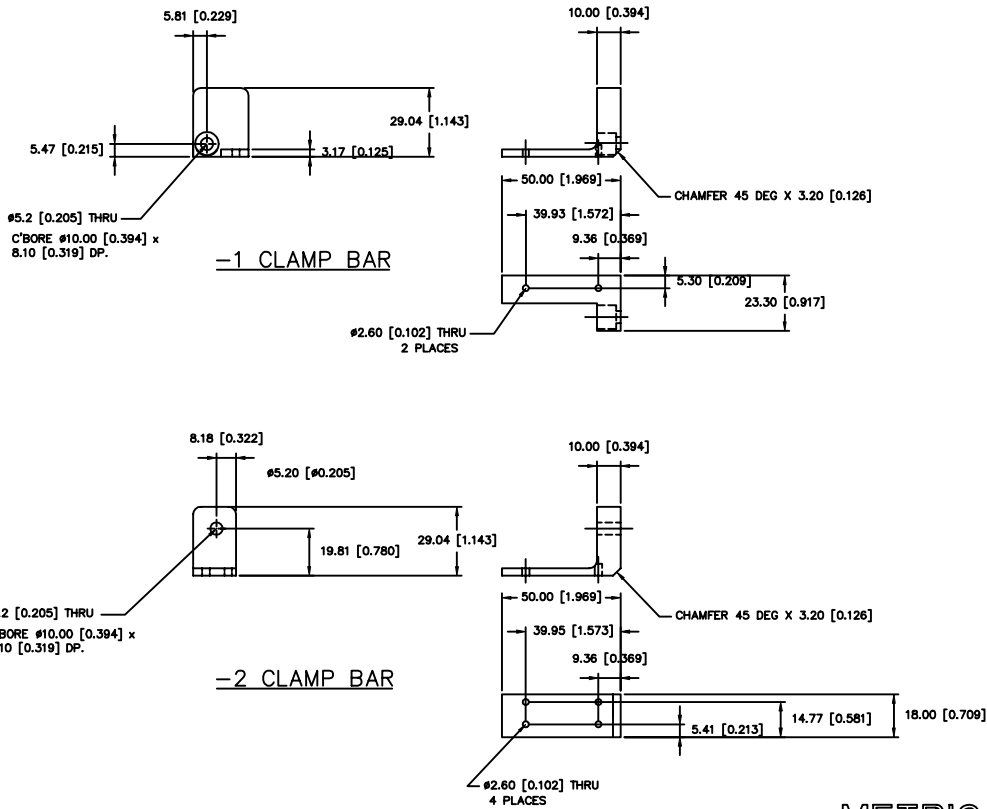


REVISIONS				
ZONE	REV.	DESCRIPTION	DATE	APPROVED



- NOTES (UNLESS OTHERWISE SPECIFIED):
- INTERPRET DRAWING PER ANSI Y14.5M-1994.
  - SURFACE TREATMENT:  
ALODINE 600 (GOLD) PER MIL-C-5541, CLASS 3
  - REMOVE BURRS & BREAK SHARP EDGES.

**METRIC**

ITEM No.	QTY	UNIT	DESCRIPTION	6061-T6 ALUM. ALLOY	QQ-A-250/11
PARTS LIST				UNIVERSITY OF CALIFORNIA - BERKELEY	
CONTRACT No.				SPACE SCIENCES LABORATORY	
TREATMENT				FRONT FLANGE CLAMP BARS	
FINISH				WIC EMI SHIELD	
APPROVALS				DATE	REV.
J. L. TOM				14APR88	A
ACCOUNT No.				SIZE	8320-A4
SHEET				SCALE	