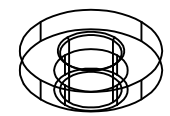
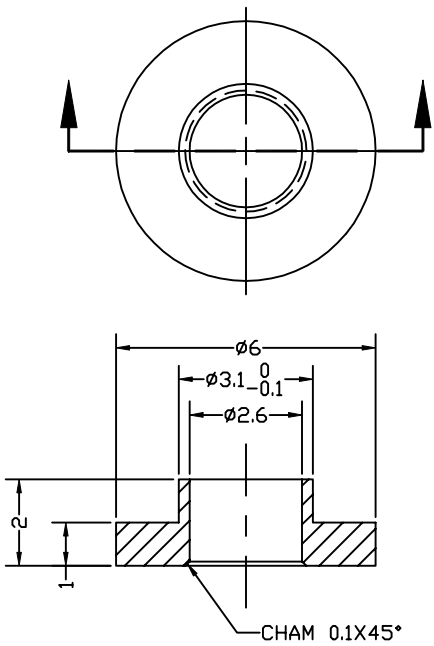


25.4 mm
1 inch

REVISIONS			
REV.	DESCRIPTION	DATE	APPROVED
A	BASELINE RELEASE	4/10/98	



- NOTES, UNLESS SPECIFIED OTHERWISE:
1. REMOVE BURRS & BREAK SHARP EDGES, R0.15 MAX
 2. IDENTIFY PART BY BAGGING AND TAGGING
 3. MATERIAL CERTS REQUIRED

1	A/R		ACETAL (DELFIN)	L-P-392A																		
ITEM#	QTY	PART NUMBER	NOMENCLATURE	MATERIAL SPECIFICATION																		
<table border="1"> <thead> <tr> <th colspan="3">TOLERANCES (EXCEPT AS SPECIFIED)</th> </tr> <tr> <th>OVER</th> <th>TO</th> <th>TOLERANCE</th> </tr> </thead> <tbody> <tr> <td>0</td> <td>49.99</td> <td>±0.1</td> </tr> <tr> <td>50</td> <td>249.9</td> <td>±0.5</td> </tr> <tr> <td>250</td> <td>-</td> <td>±1</td> </tr> <tr> <td colspan="2">ANGLES</td> <td>±1°</td> </tr> </tbody> </table>			TOLERANCES (EXCEPT AS SPECIFIED)			OVER	TO	TOLERANCE	0	49.99	±0.1	50	249.9	±0.5	250	-	±1	ANGLES		±1°	DO NOT SCALE DRAWING METRIC DRAWING (UNITS: mm) INTERPRET PER ANSI Y14.5-1994 WELDING SYMBOLS PER ANSI/ANS A24-79	
TOLERANCES (EXCEPT AS SPECIFIED)																						
OVER	TO	TOLERANCE																				
0	49.99	±0.1																				
50	249.9	±0.5																				
250	-	±1																				
ANGLES		±1°																				
SURFACE FINISH 1.6 ✓			DWG TITLE INSULATING WASHER FUV WIC PREAMP COVER																			
SURFACE TREATMENT NONE			APPROVALS	DATE																		
MASS			DRAWN K. KROMER	4/10/98																		
			CHECKED																			
			ISSUED																			
			SIZE A	PROGRAM IMAGE																		
			DWG. NO. 8315-A4	REV A																		
			SCALE 8:1	SHEET 1 OF 1																		