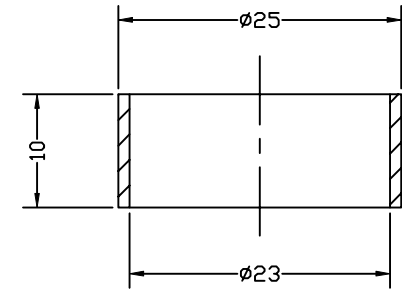
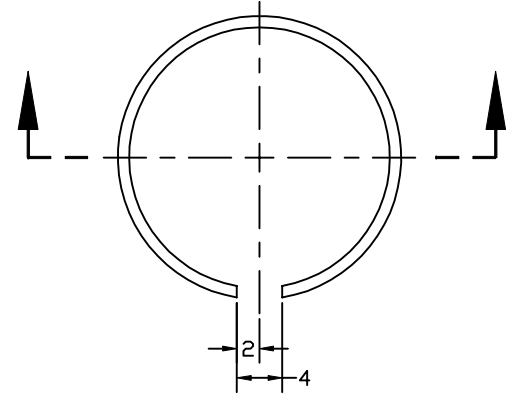


25.4 mm
1 inch

REVISIONS			
REV.	DESCRIPTION	DATE	APPROVED
A	BASELINE RELEASE	4/6/98	



- NOTES, UNLESS SPECIFIED OTHERWISE:
1. REMOVE BURRS & BREAK SHARP EDGES, R0.15 MAX
 2. IDENTIFY PART BY BAGGING AND TAGGING
 3. MATERIAL CERTS REQUIRED

1	A/R		PEEK, BLACK	
ITEM#	QTY	PART NUMBER	NOMENCLATURE	MATERIAL SPECIFICATION
TOLERANCES (EXCEPT AS SPECIFIED)			DO NOT SCALE DRAWING METRIC DRAWING (UNITS: mm)	<i>Space Sciences Laboratory</i> UNIVERSITY OF CALIFORNIA, BERKELEY, USA
OVER	TO	TOLERANCE		
0	49.99	±0.1	INTERPRET PER ANSI Y14.5-1994 WELDING SYMBOLS PER ANSI/ANS A24-79	DWG TITLE BOND SLEEVE FUV WIC TAPER TO OPTIC
50	249.9	±0.5		
250	-	±1	APPROVALS	DATE
ANGLES				
SURFACE FINISH			1.6	
SURFACE TREATMENT				
NONE			DRAWN K. KROMER	4/6/98
MASS			CHECKED	
			ISSUED	
SIZE		PROGRAM	DWG. NO.	REV
A		IMAGE	8299-A4	A
SCALE			2:1	SHEET 1 OF 1