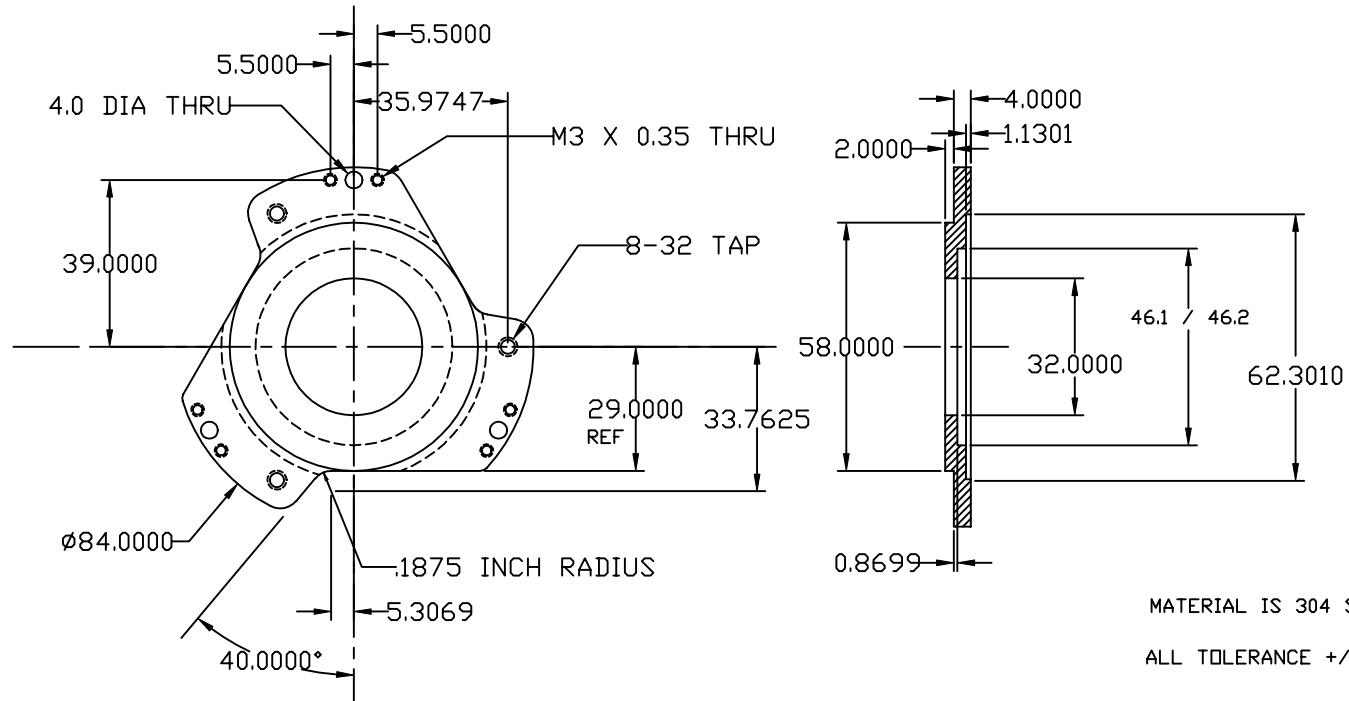


REV	DESCRIPTION	BY	DATE
A	INITIAL DESIGN	HDH	23MAR98



PART IS SYMMETRIC UNDER
A 120 DEGREE ROTATION

MATERIAL IS 304 STAINLESS

ALL TOLERANCE +/- .2

IMAGE FUV		UNIVERSITY OF CALIFORNIA AT BERKELEY	
TITLE:		SPACE SCIENCES LABORATORY	
WIC F/O DETECTOR ADAPTER PLATE			
DRAWN BY:	H. HEETDERKS	DATE:	23MAR98
FILE NAME:	SHEET 1 OF 1	DWG NO.:	8292-A4
		REV:	A