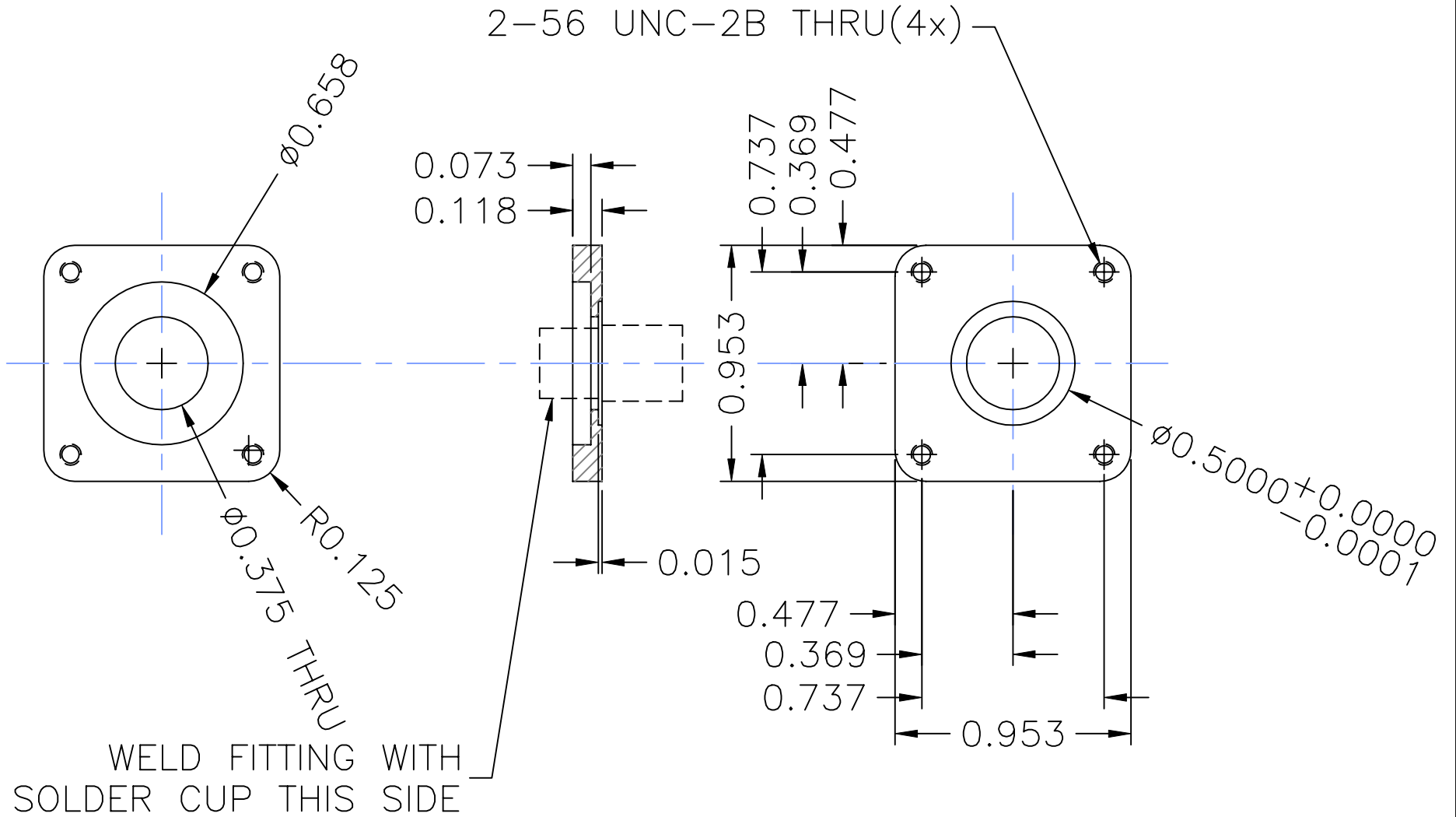
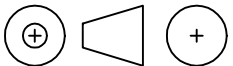


REVISION	DESCRIPTION	DATE
----------	-------------	------



U.S. STD. THIRD ANGLE PROJECTION



UNLESS OTHERWISE SPECIFIED
DIMENSIONS ARE IN INCHES
BILATERAL TOLERANCES ARE:
.XX = .02° ANGLES SURFACES
.XXX = .005' 0.5°

MATERIAL	304 SS	DRAWN	P. TURIN	CONTRACT /BUDGET NR	IMAGE GEO	TITLE	GEO HV FLANGE	SHEET	1/1	SPACE SCIENCES LABORATORIES UNIVERSITY OF CALIFORNIA, BERKELEY BERKELEY, CA 94720 (415) 642-7297
FINISH	AS MACHINED	DATE	3/10/98	SCALE - DO NOT SCALE -	N/A	DRAWING NR.	8283-A4	REVISION	B	