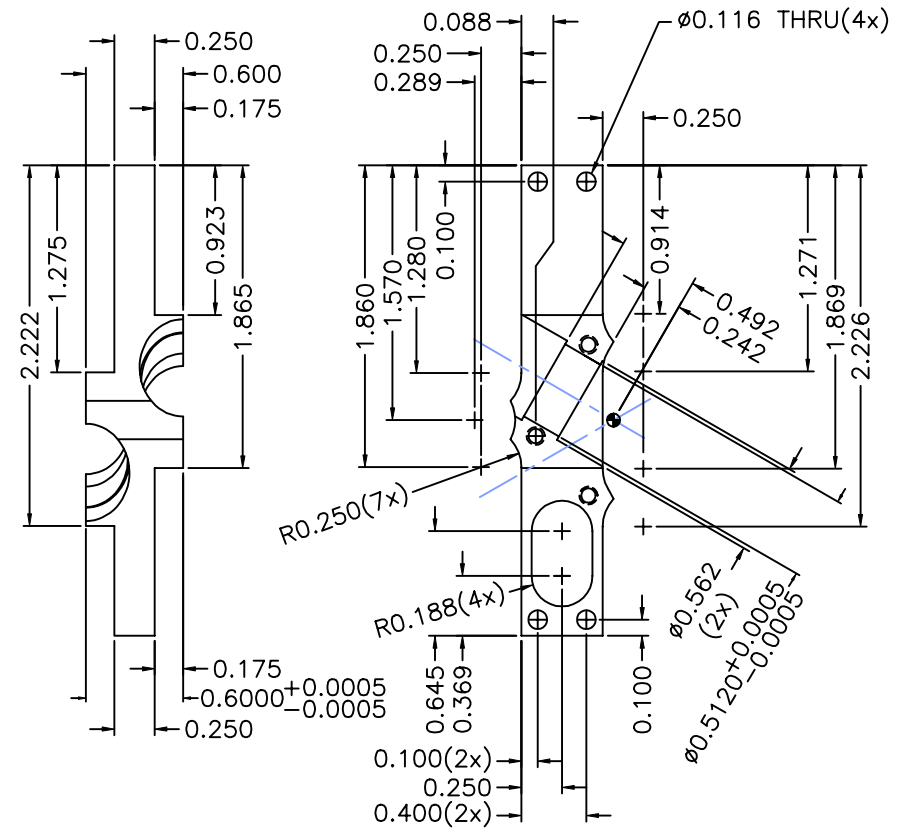
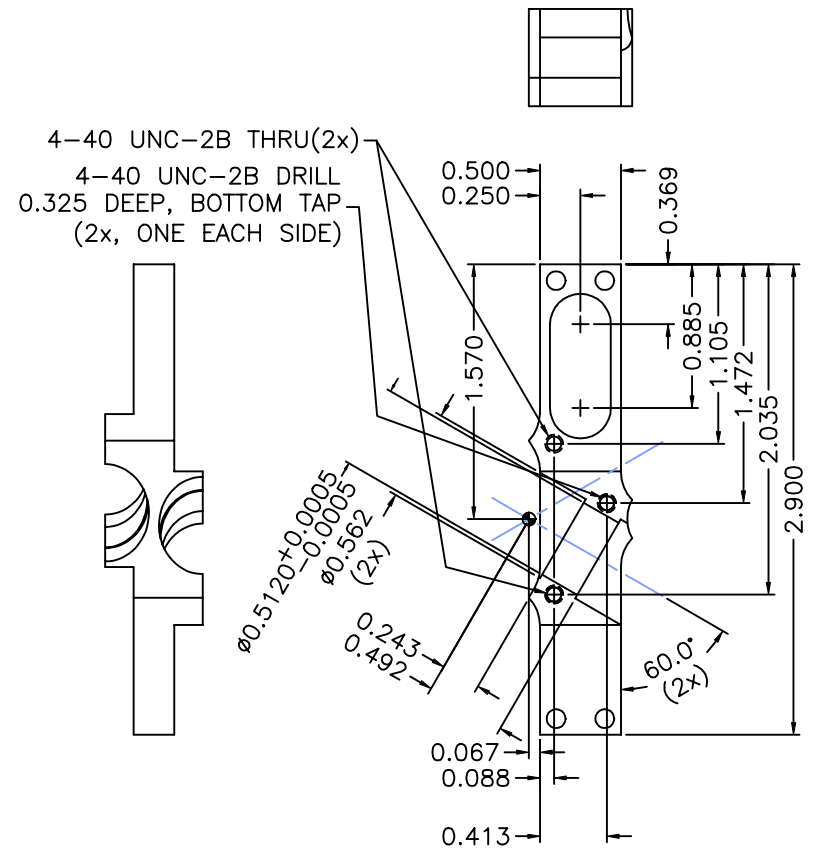
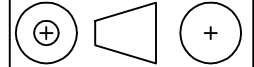


REVISION	DESCRIPTION	DATE
----------	-------------	------



U.S. STD. THIRD ANGLE PROJECTION



UNLESS OTHERWISE SPECIFIED DIMENSIONS ARE IN INCHES BILATERAL TOLERANCES ARE: .XX = .02° ANGLES SURFACES .XXX = .005° 0.5°	MATERIAL	6061-T6 ALUMINUM	DRAWN	P. TURIN	CONTRACT /BUDGET NR	IMAGE GEO	TITLE	GEO TUBE MOUNT	SHEET	1/1	<b>SPACE SCIENCES LABORATORIES</b> UNIVERSITY OF CALIFORNIA, BERKELEY BERKELEY, CA 94720 (415) 642-7297
	FINISH	BEAD BLAST, BLACK ANODIZE TYPE II CLASS 2	DATE	2/10/98	SCALE - DO NOT SCALE -	N/A	DRAWING NR.	8271-A4	REVISION	C	