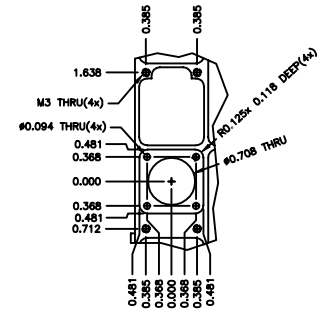
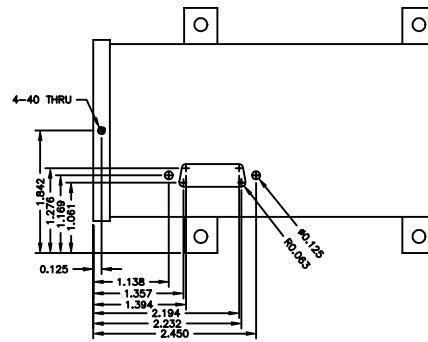
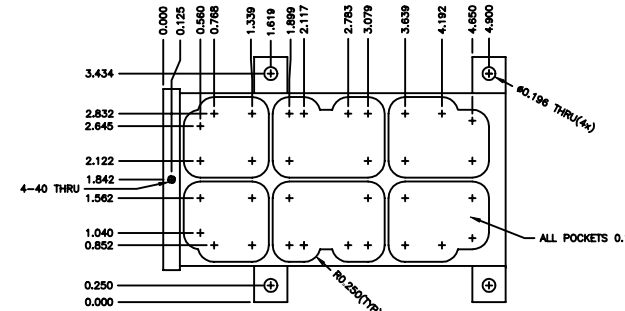
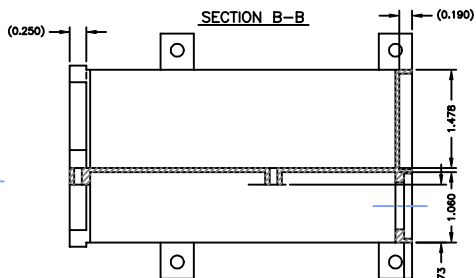
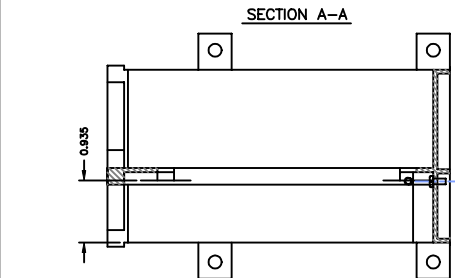
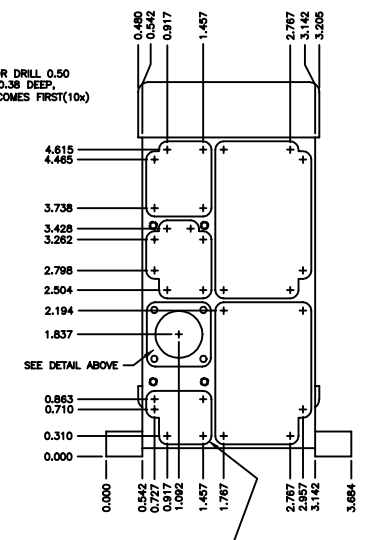
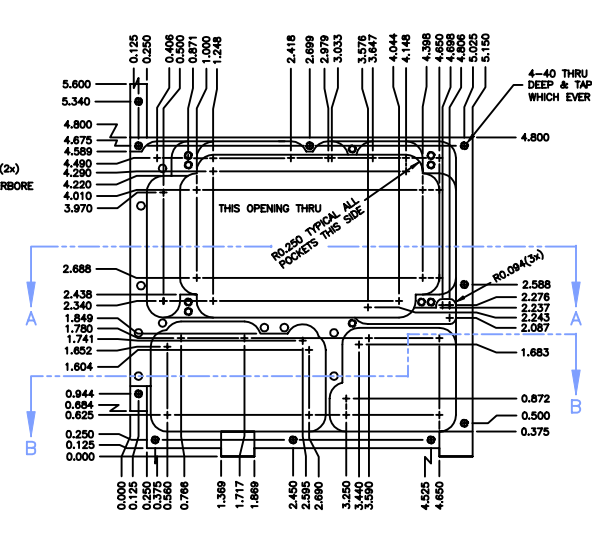
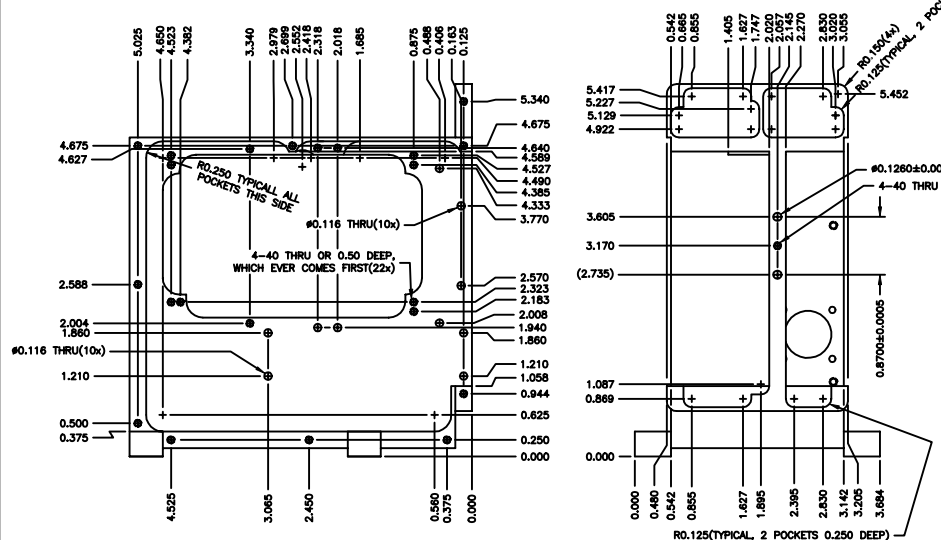


| REVISIONS | | | | |
|-----------|------|-------------|------|----------|
| ZONE | REV. | DESCRIPTION | DATE | APPROVED |
| | | | | |



BOLT PATTERN DETAIL



| | | | | | |
|--|------------------------|------------------|---|---------------------|----------|
| UNLESS OTHERWISE SPECIFIED DIMENSIONS ARE IN INCHES TOLERANCES ARE: FRACTIONS DECIMALS ANGLES ± .005 ± .010 ± 0.1° MACHINING FINISH DO NOT SCALE DRAWING INTERPRET PER ANSI Y14.5M (1982) | CONTRACT IMAGE GEO | | SPACE SCIENCES LABORATORY UNIVERSITY OF CALIFORNIA- BERKELEY | | |
| | APPROVALS P. TURIN | DATE 2/9/98 | GEO HOUSING | | |
| | ENGR P. TURIN | FILE NAME XXX | SIZE C | DWG. NO. 8262-A4 | REV E |
| MATERIAL 6061-T6 ALUMINUM | FINISH GOLD ALODINE | SCALE 1:1.5 | SHEET 1 OF 1 | | |