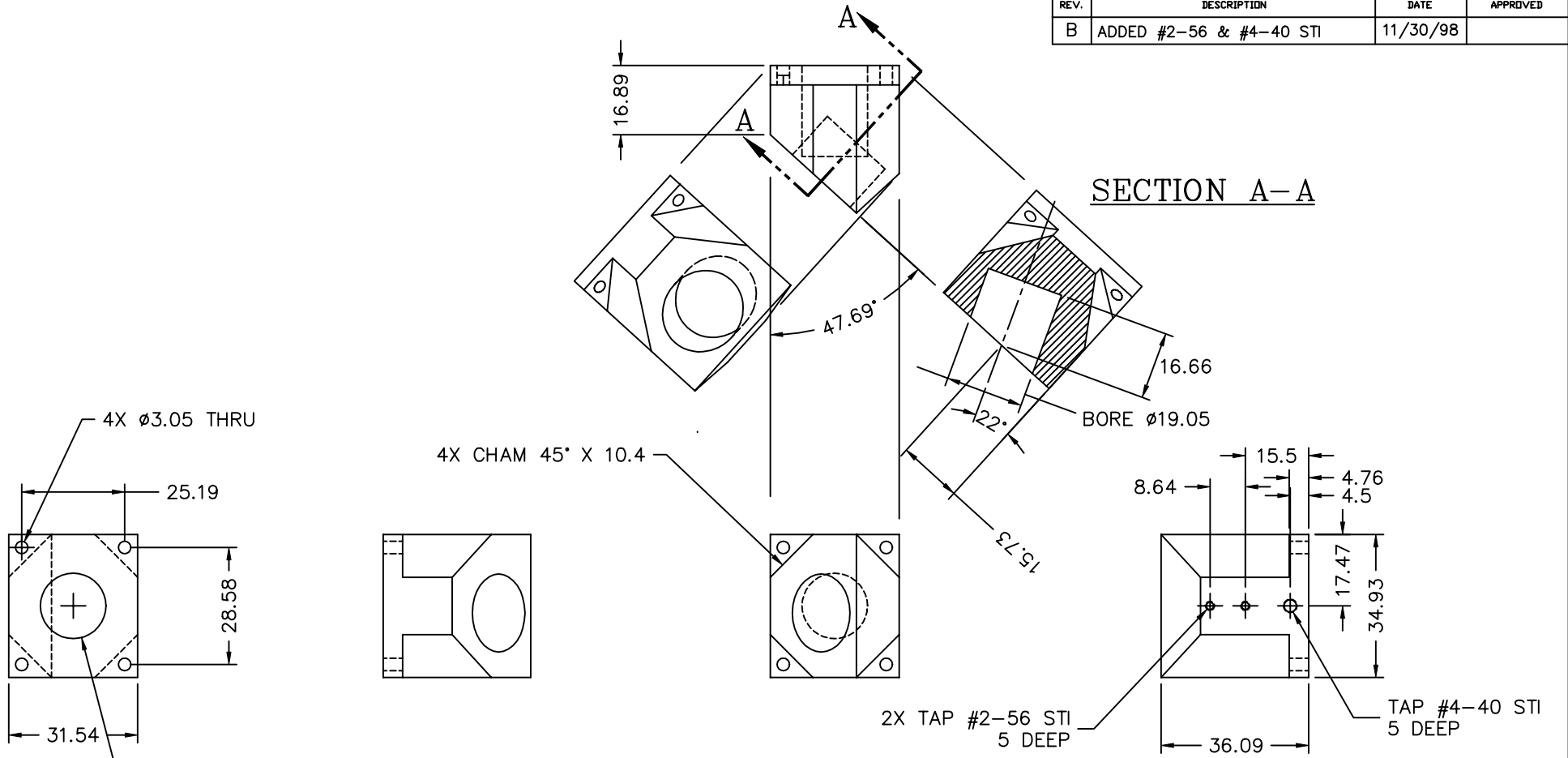


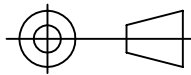
REVISIONS			
REV.	DESCRIPTION	DATE	APPROVED
B	ADDED #2-56 & #4-40 STI	11/30/98	



BORE  
Ø16 X 22.2 DEEP

METRIC

THIRD ANGLE PROJECTION



1		BLACK DELRIN	
ITEM No.	QTY REQD	PART OR IDENTIFYING No.	NOMENCLATURE OR DESCRIPTION
			MATERIAL SPECIFICATION
TOLERANCES (EXCEPT AS SPECIFIED)		CONTRACT No.	
DIM	TO	TOLERANCE	
0	49.99	±0.1	
50	249.9	±0.1	
250	-	±0.1	
ANGLES		±2°	
DO NOT SCALE DRAWING			
TREATMENT		APPROVALS	DATE
FINISH		DRAWN R.CHUNG	00JUN94
NEXT FINAL		CHECKED	
QTY REQD PER ASSY		ISSUED	
NEXT ASSY USED ON		ACCOUNT No.	
APPLICATION		SIZE B	MO No.
SIMILAR TO		ISSUED	DWG. NO. 8258-A4
WEIGHT		SCALE FULL	REV B
		SPACE SCIENCES LABORATORY	
		UNIVERSITY OF CALIFORNIA - BERKELEY	
		LOWER GRID CLAMP BLOCK	
		SI DET PURGE	
		SHEET 1 of 1	