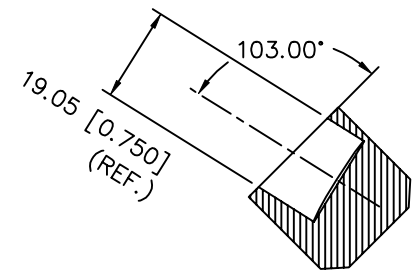
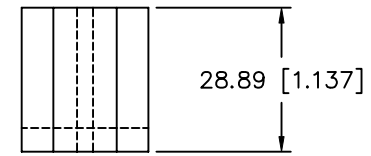
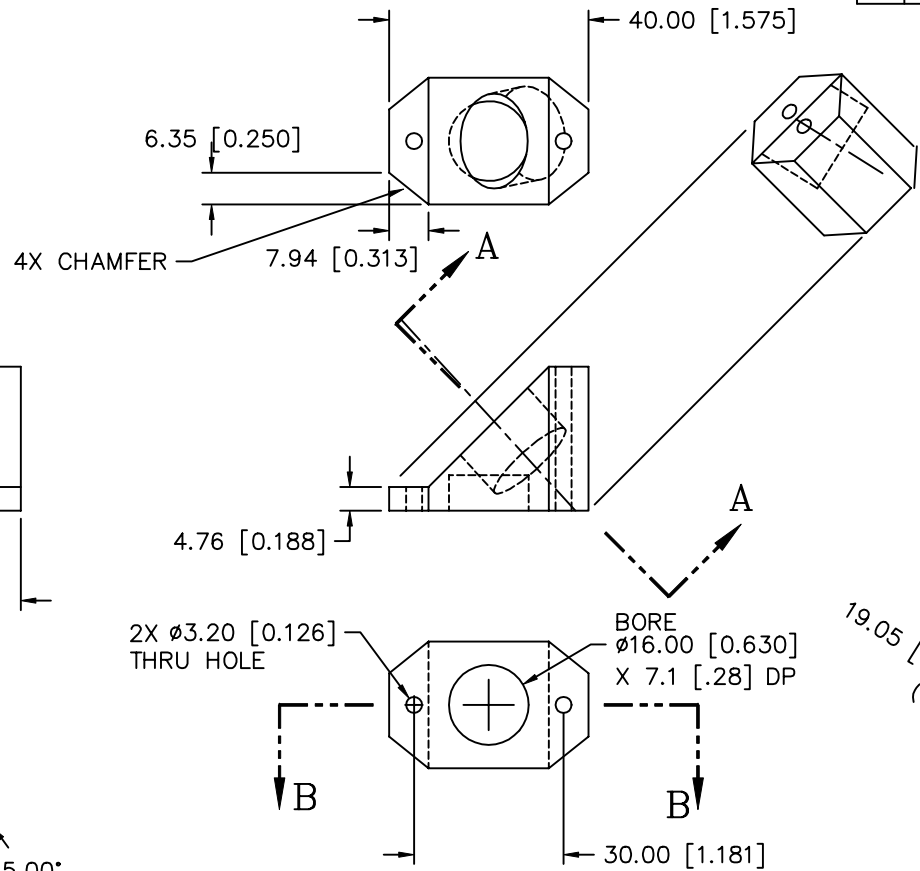
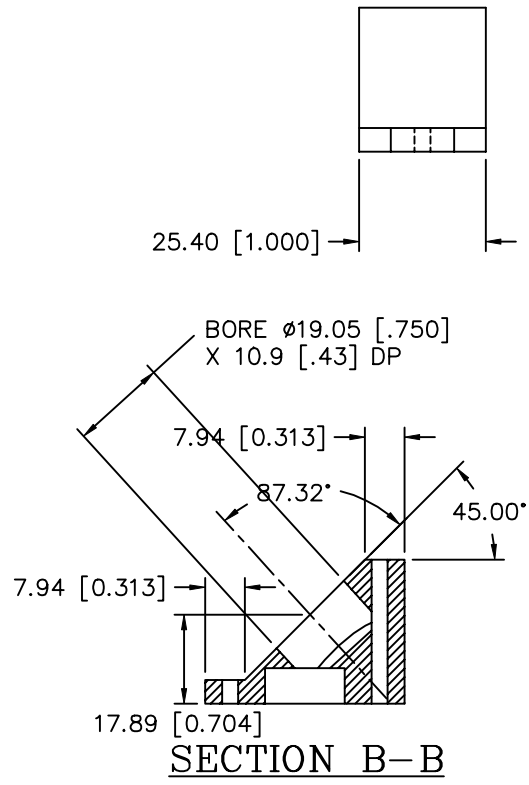


REVISIONS			
REV.	DESCRIPTION	DATE	APPROVED



SECTION A-A



METRIC

THIRD ANGLE PROJECTION	
NEXT QTY REQ PER ASSY	FINAL QTY REQ PER ASSY
NEXT ASSY APPLICATION	USED ON APPLICATION

1	BLACK DELRIN		
ITEM No.	QTY REQD	PART OR IDENTIFYING No.	NOMENCLATURE OR DESCRIPTION
			MATERIAL SPECIFICATION
TOLERANCES (EXCEPT AS SPECIFIED)		CONTRACT No.	
OVER	TO	PARTS LIST	
0	49.99	SPACE SCIENCES LABORATORY	
50	249.9	UNIVERSITY OF CALIFORNIA - BERKELEY	
250	-	APPROVALS	
ANGLES		DATE	
DO NOT SCALE DRAWING		DRAWN R.CHUNG 14FEB98	
TREATMENT		CHECKED	
FINISH		ISSUED	
SIMILAR TO		ACCOUNT No.	
WEIGHT		SCALE	
		DWG. No. 8257-A2	
		REV	
		SHEET 1 of 1	