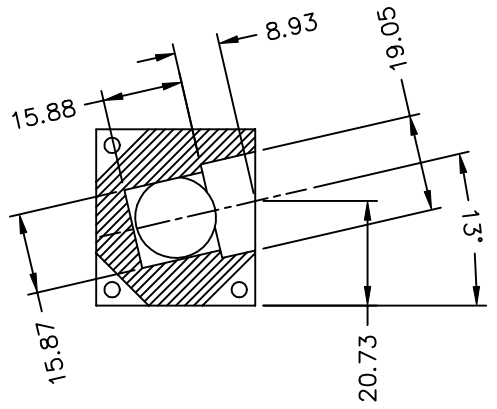
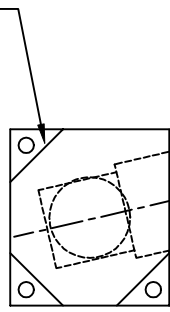
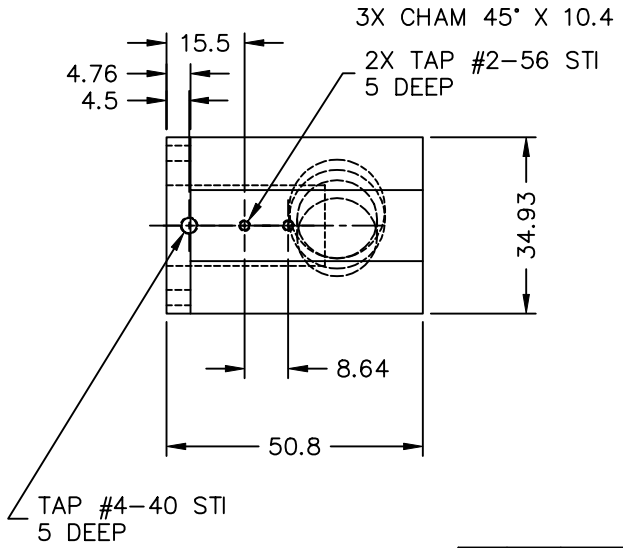
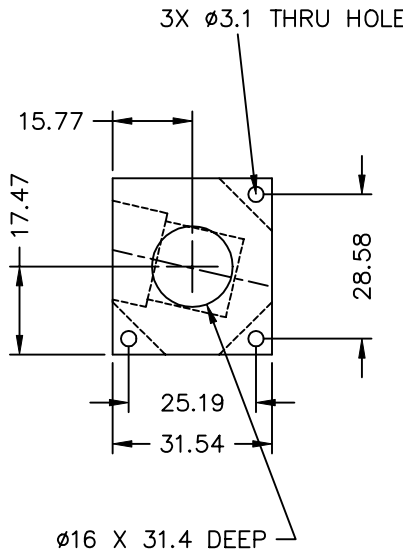
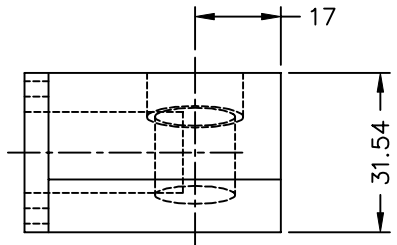


REVISIONS			
REV.	DESCRIPTION	DATE	APPROVED
B	ADDED #2-56 & #4-40 STI	11/30/98	



METRIC

THIRD ANGLE PROJECTION			
QTY REQD PER ASSY	FINAL	NEXT ASSY	USED ON APPLICATION

1	BLACK DELRIN	
ITEM No.	QTY REQD	PART OR IDENTIFYING No.
NOMENCLATURE OR DESCRIPTION		MATERIAL SPECIFICATION
PARTS LIST		
TOLERANCES (EXCEPT AS SPECIFIED)		CONTRACT No.
DIVER	TO	TOLERANCE
0	49.99	$\pm 0.1$
50	249.9	$\pm 0.1$
250	-	$\pm 0.1$
ANGLES		$\pm 2^\circ$
DO NOT SCALE DRAWING		
TREATMENT		APPROVALS
FINISH		DATE
SIMILAR TO		DRAWN K. KROMER
WEIGHT		CHECKED
		ISSUED
		ACCOUNT No.
SCALE FULL		DATE 11FEB98
SIZE B		DWG. NO. 8254-A4
REV B		SHEET 1 of 1

SPACE SCIENCES LABORATORY  
UNIVERSITY OF CALIFORNIA - BERKELEY  
UPPER GRID CLAMP BLOCK  
SI DETECTOR PURGE