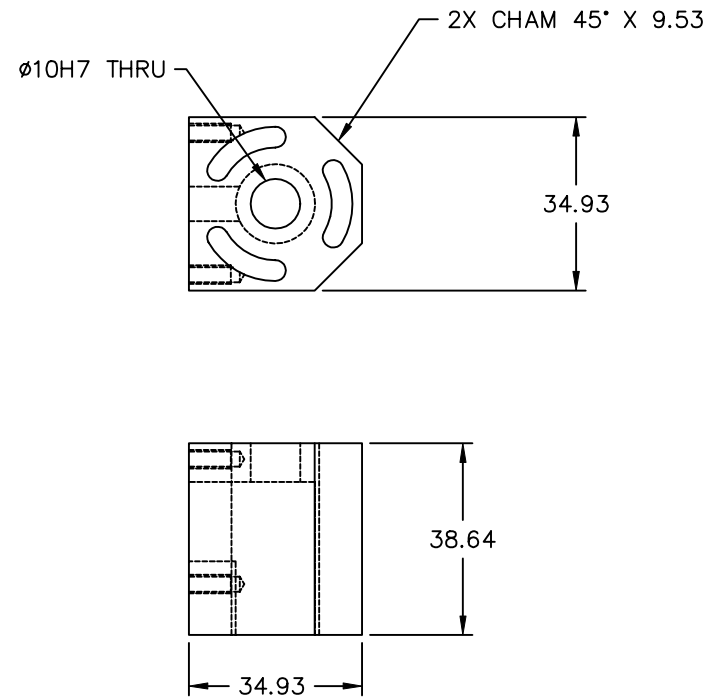
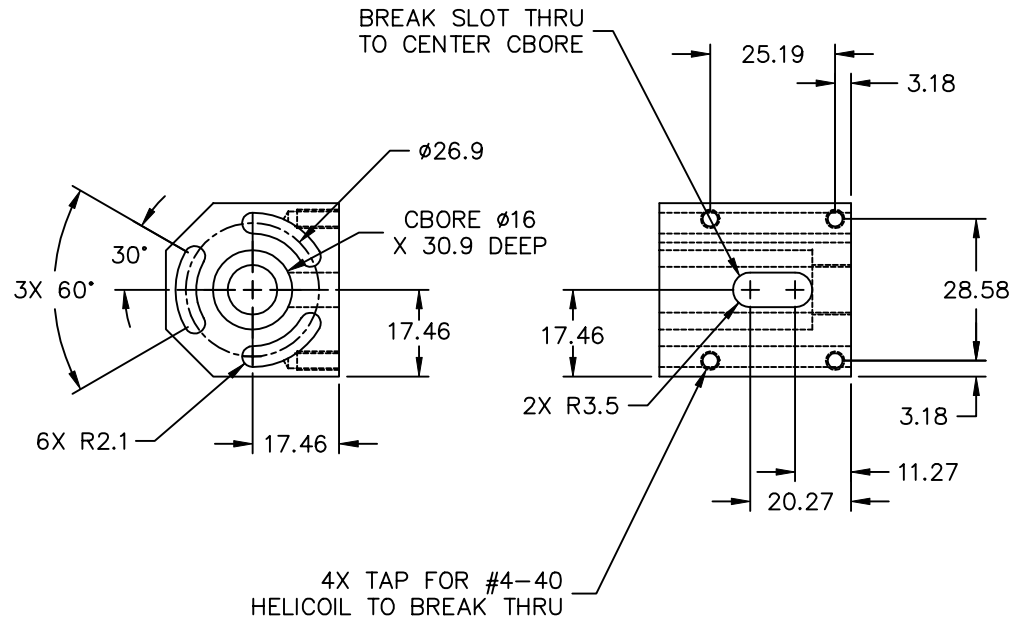
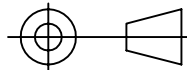


REVISIONS			
REV.	DESCRIPTION	DATE	APPROVED
B	ADDED 1 CURVED SLOT AND CHANGED SLOT ORIENTATION, DELETED 1X #4-40 HELICOIL HOLE, CHANGED 1X Ø16 CBORE TO 7 WIDE SLOT	9/16/98	



METRIC

THIRD ANGLE PROJECTION



NEXT	FINAL	NEXT ASSY	USED ON
QTY REQD	QTY REQD	QTY REQD	QTY REQD
PER ASSY	PER ASSY	PER ASSY	PER ASSY

2	BLACK DELRIN			
ITEM No.	QTY REQD	PART OR IDENTIFYING No.	NOMENCLATURE OR DESCRIPTION	MATERIAL SPECIFICATION
PARTS LIST				
TOLERANCES (EXCEPT AS SPECIFIED)		CONTRACT No.		
OVER	TO	TOLERANCE	SPACE SCIENCES LABORATORY	
0	49.99	±0.1	UNIVERSITY OF CALIFORNIA - BERKELEY	
50	249.9	±0.1	CONFLAT BLOCK	
250	-	±0.1	SI DETECTOR PURGE	
ANGLES		APPROVALS		
DO NOT SCALE DRAWING		DATE		
TREATMENT		DRAWN R.CHUNG 10FEB98		
FINISH		CHECKED		
SIMILAR TO		ISSUED		
WEIGHT		ACCDUNT No.		
		SIZE B		REV B
		MD No.		DWG. NO. 8253-A4
		SCALE FULL		SHEET 1 of 1