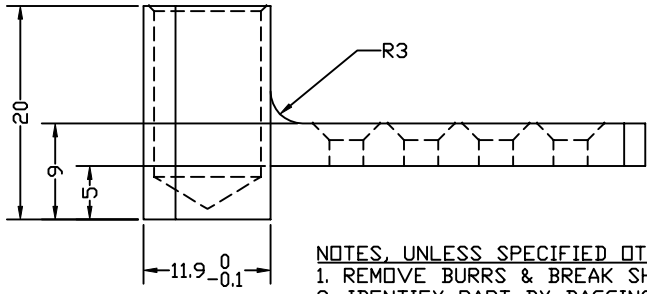
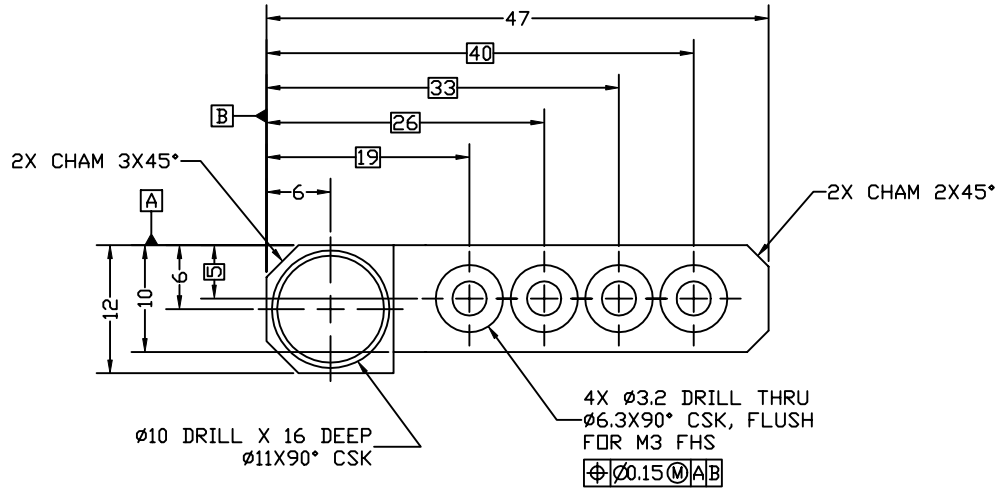


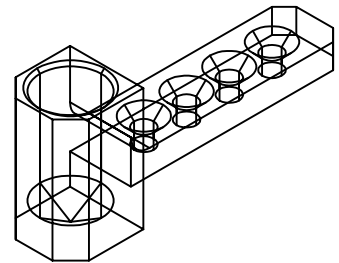


25.4 mm
1 Inch

REVISIONS			
REV.	DESCRIPTION	DATE	APPROVED
A	BASELINE RELEASE	2/2/98	



- NOTES, UNLESS SPECIFIED OTHERWISE:
1. REMOVE BURRS & BREAK SHARP EDGES, R0.15 MAX
 2. IDENTIFY PART BY BAGGING AND TAGGING
 3. MATERIAL CERTS REQUIRED



1	A/R		COPPER, C10100	QQ-C-502
ITEM#	QTY	PART NUMBER	NOMENCLATURE	MATERIAL SPECIFICATION
TOLERANCES (EXCEPT AS SPECIFIED)		DO NOT SCALE DRAWING METRIC DRAWING (UNITS: MM)		
DIVER	TD	TOLERANCE	UNIVERSITY OF CALIFORNIA, BERKELEY, USA	
0	49.99	±0.1	DWG TITLE DETECTOR THERMAL LUG FUV SI DETECTOR	
50	249.9	±0.5		
250	-	±1	INTERPRET PER ANSI Y14.5-1994 WELDING SYMBOLS PER ANSI/AWS A24-79	
SURFACE FINISH 1.6		APPROVALS	DATE	SIZE
SURFACE TREATMENT NONE		DRAWN K. KROMER	2/2/98	PROGRAM IMAGE
MASS 22.8g		CHECKED		DWG. NO. 8251-A4
		ISSUED		REV A
			SCALE 2:1	SHEET 1 OF 1

