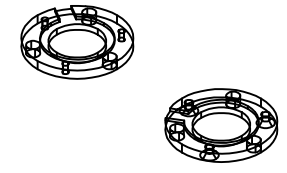
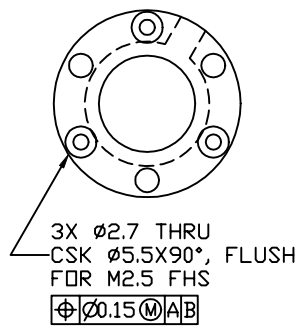
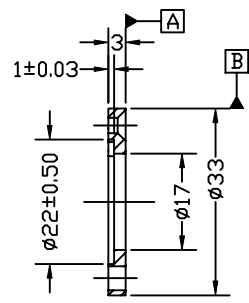
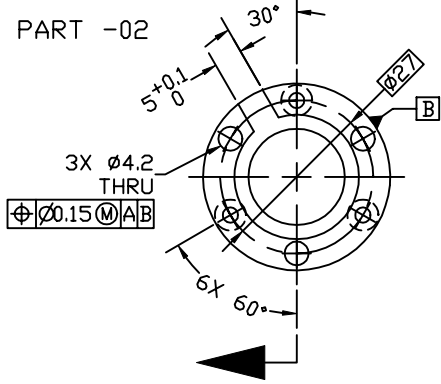
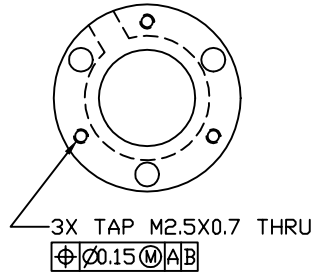
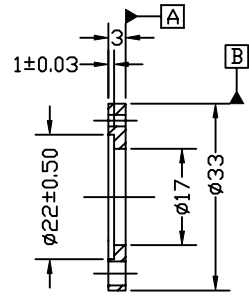
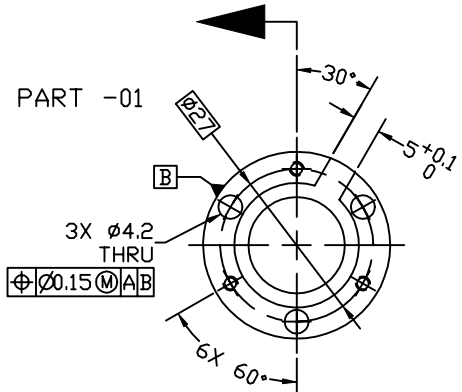


25.4 mm
1 inch

REVISIONS			
REV.	DESCRIPTION	DATE	APPROVED
A	BASELINE RELEASE	1/14/98	



- NOTES, UNLESS SPECIFIED OTHERWISE:
 1. REMOVE BURRS & BREAK SHARP EDGES, R0.15 MAX
 2. IDENTIFY PART BY BAGGING AND TAGGING
 3. MATERIAL CERTS REQUIRED

1	A/R		PEEK	MIL-P-46183 TYPE 1
ITEM#	QTY	PART NUMBER	NOMENCLATURE	MATERIAL SPECIFICATION
TOLERANCES (EXCEPT AS SPECIFIED)		DO NOT SCALE DRAWING		
OVER	TO	METRIC DRAWING		
0	49.99	(UNITS: mm)		
50	249.9	INTERPRET PER ANSI Y14.5-1994		
250	-	WELDING SYMBOLS PER ANSI/ANS A2.4-79		
ANGLES		DWG TITLE		
1.6		HOUSING, BIAS GRID		
SURFACE FINISH		FUV WIC PUMP PORT		
1.6		UNIVERSITY OF CALIFORNIA, BERKELEY, USA		
SURFACE TREATMENT		APPROVALS		
NONE		DATE		
NONE		DRAWN K. KROMER 1/14/98		
MASS		CHECKED		
		ISSUED		
		SIZE	PROGRAM	DWG. NO.
		A	IMAGE	8242-A4
				REV
				A
		SCALE	SHEET 1 OF 1	
		FULL		