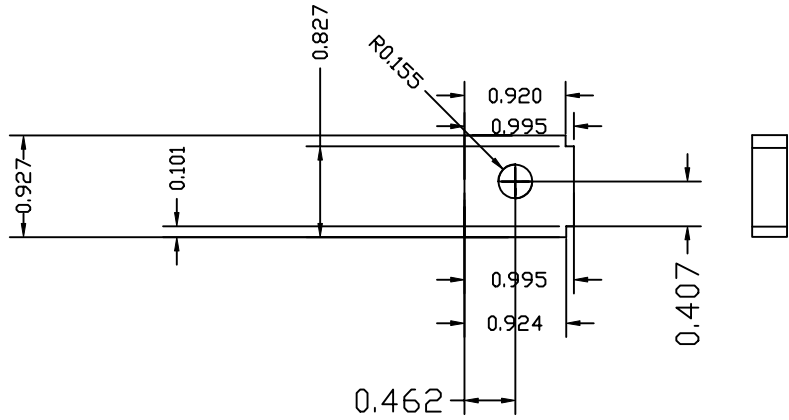


REVISIONS			
REV.	DESCRIPTION	DATE	APPROVED
A	BASELINE RELEASE	12/10/97	



1	A/R		MOLD RELEASE FREE	G10 EPOXY, .030"												
ITEM#	QTY	PART NUMBER	NOMENCLATURE	MATERIAL SPECIFICATION												
TOLERANCES (EXCEPT AS SPECIFIED) <table border="1"> <thead> <tr> <th>OVER</th> <th>TO</th> <th>TOLERANCE</th> </tr> </thead> <tbody> <tr> <td>0</td> <td>49.99</td> <td>±0.1</td> </tr> <tr> <td>50</td> <td>249.9</td> <td>±0.5</td> </tr> <tr> <td>250</td> <td>-</td> <td>±1</td> </tr> </tbody> </table> ANGLES ±1°			OVER	TO	TOLERANCE	0	49.99	±0.1	50	249.9	±0.5	250	-	±1	DO NOT SCALE DRAWING METRIC DRAWING (UNITS: mm) INTERPRET PER ANSI Y14.5-1994 WELDING SYMBOLS PER ANSI/AWS A24-79	
OVER	TO	TOLERANCE														
0	49.99	±0.1														
50	249.9	±0.5														
250	-	±1														
SURFACE FINISH			Space Sciences Laboratory UNIVERSITY OF CALIFORNIA, BERKELEY, USA													
SURFACE TREATMENT NONE			DWG TITLE RESISTOR SUPPORT BOARD HVPS													
MASS			APPROVALS DRAWN P. BERG CHECKED ISSUED	DATE 12/10/97												
			SIZE A	PROGRAM IMAGE												
			DWG. NO. 8237-A4-A	REV A												
			SCALE	SHEET 1 OF 1												