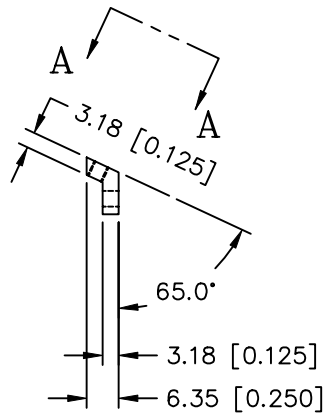
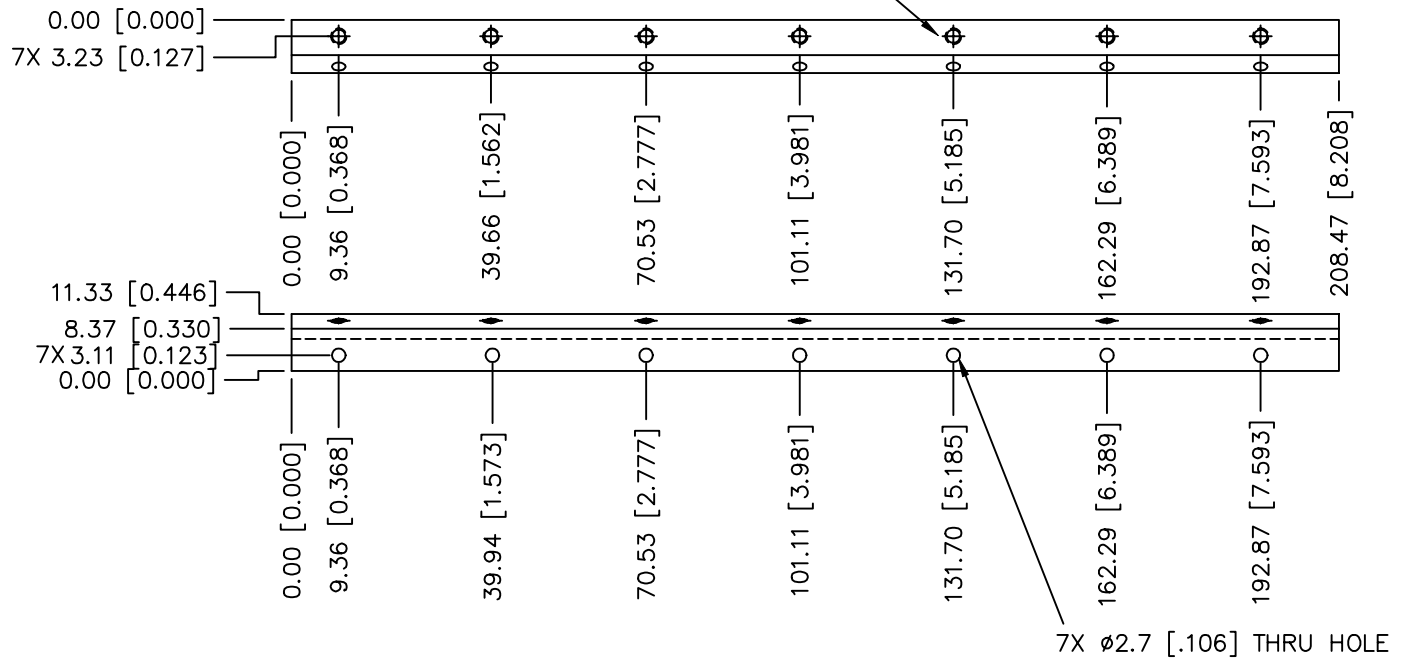


REVISIONS			
REV.	DESCRIPTION	DATE	APPROVED

7X TAP M2.5 HELICOIL THRU

VIEW A-A

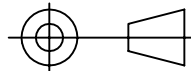


NOTES (UNLESS OTHERWISE SPECIFIED):

1. INTERPRET DRAWING PER ANSI Y14.5M-1994.
2. -01 SHOWN, -02 OPPOSITE
3. REMOVE BURRS & BREAK SHARP EDGES.

METRIC

THIRD ANGLE PROJECTION



QTY REQD PER ASSY	FINAL	NEXT ASSY	USED ON

1	-01	6061-T651 ALUM. ALLOY	
1	-02	6061-T651 ALUM. ALLOY	
ITEM No.	QTY REQD	PART OR IDENTIFYING No.	MATERIAL SPECIFICATION
PARTS LIST			
TOLERANCES (EXCEPT AS SPECIFIED)		CONTRACT No.	
OVER	TO	TOLERANCE	
0	49.99	±0.1	
50	249.9	±0.1	
250	-	±1*	
ANGLES			
DO NOT SCALE DRAWING			
TREATMENT		APPROVALS	
FINISH		DATE	
SIMILAR TO		DRAWN R.CHUNG 03MAR98	
WEIGHT		CHECKED	
		ISSUED	
		ACCOUNT No.	
		SCALE	
		SHEET	

SPACE SCIENCES LABORATORY
 UNIVERSITY OF CALIFORNIA - BERKELEY
GASKET MOUNT STRAP 2
WIC EMI SHIELD
 SIZE B MD No. DWG. NO. 8221-A2 REV