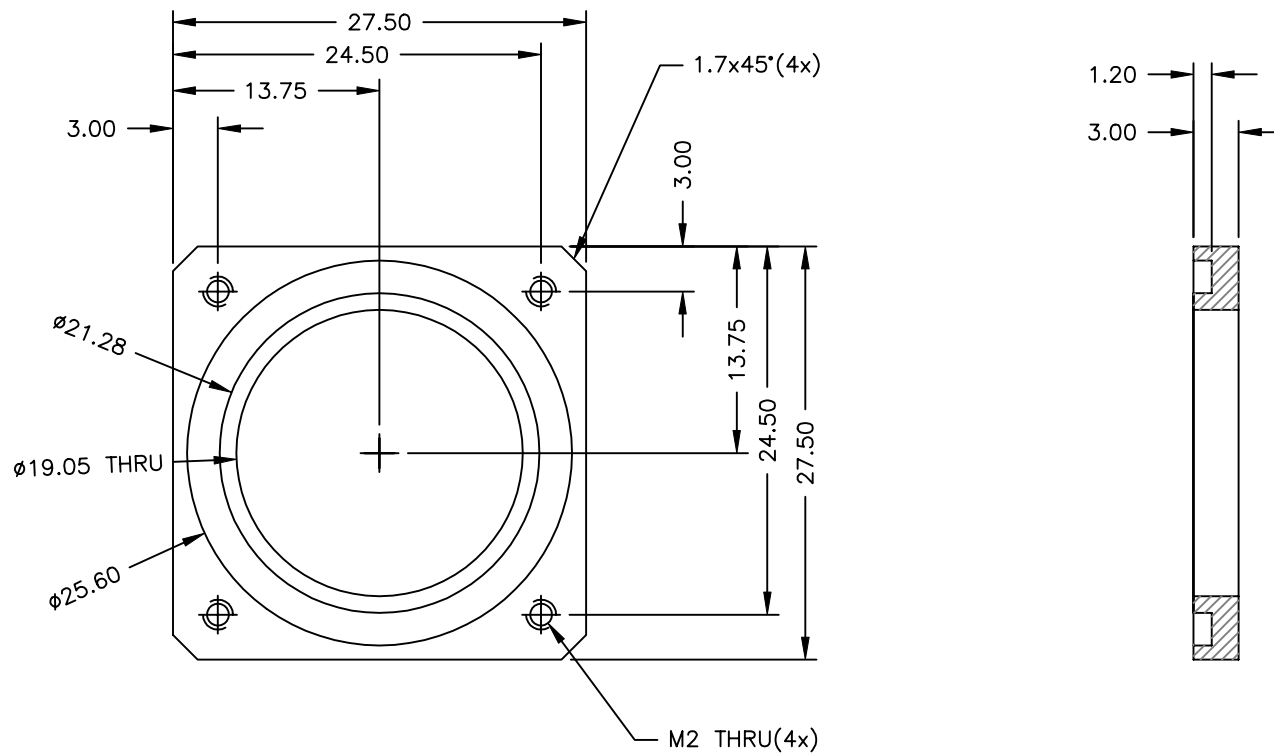
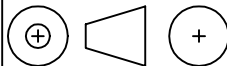


REVISION	DESCRIPTION	DATE
----------	-------------	------



U.S. STD. THIRD ANGLE PROJECTION



ALL DIMENSIONS IN mm

UNLESS OTHERWISE SPECIFIED DIMENSIONS ARE IN MILLIMETERS BILATERAL TOLERANCES ARE: .XX = .1 mm ANGLES SURFACES .XXX = .05 mm 0.5° 32	MATERIAL	6061-T6 ALUMINUM	DRAWN	P. TURIN	CONTRACT /BUDGET NR	SY-90	TITLE	IMAGE VENT COVER	SHEET	SPACE SCIENCES LABORATORIES
	FINISH	GOLD ALODINE	DATE	6/20/07	SCALE - DO NOT SCALE -	1:1	DRAWING NR.	8210-A4	REVISION	B