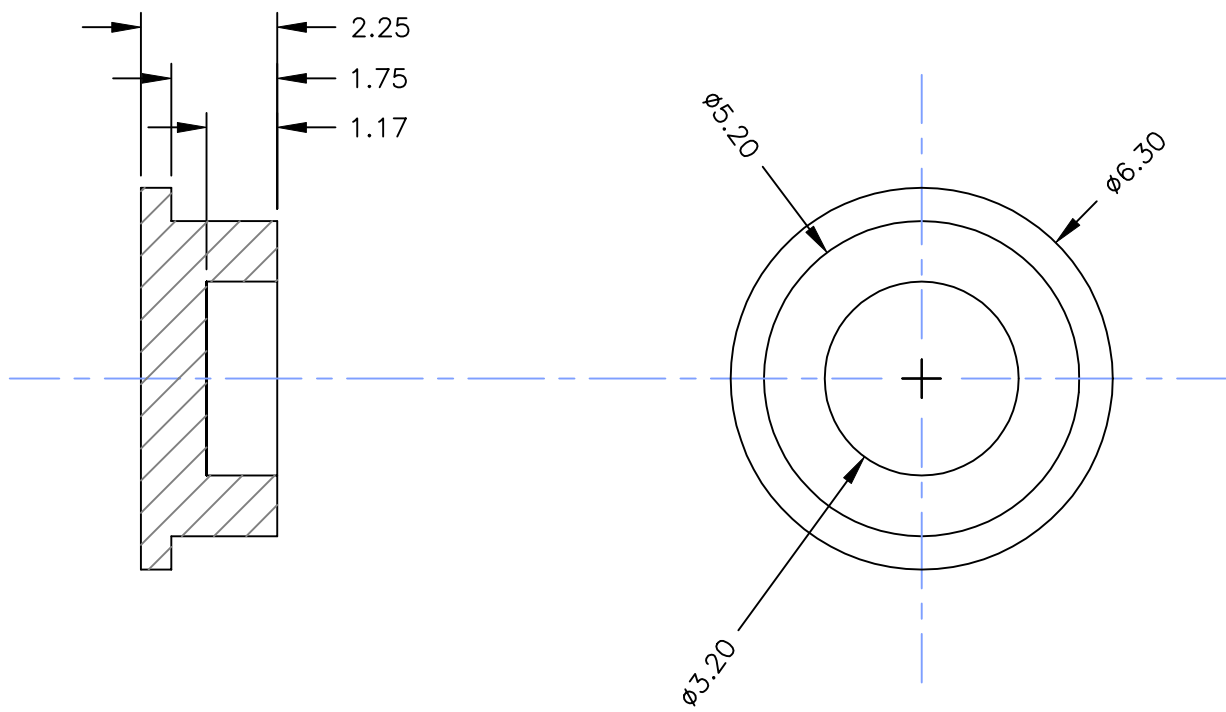
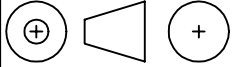


REVISION	DESCRIPTION	DATE
----------	-------------	------



U.S. STD. THIRD ANGLE PROJECTION



**ALL DIMENSIONS IN mm**

UNLESS OTHERWISE SPECIFIED DIMENSIONS ARE IN MILLIMETERS BILATERAL TOLERANCES ARE: .XX = .1 mm ANGLES SURFACES .XXX = .05 mm 0.5° 32	MATERIAL	BRASS	DRAWN	P. TURIN	CONTRACT /BUDGET NR	SY-90	TITLE	IMAGE RELEASE PLUNGER STOP	SHEET	SPACE SCIENCES LABORATORIES
	FINISH	AS MACHINED	DATE	6/20/97	SCALE - DO NOT SCALE -	8:1	DRAWING NR.	8204-A4	REVISION	B

UNIVERSITY OF CALIFORNIA, BERKELEY  
 BERKELEY, CA 94720 (415) 642-7297