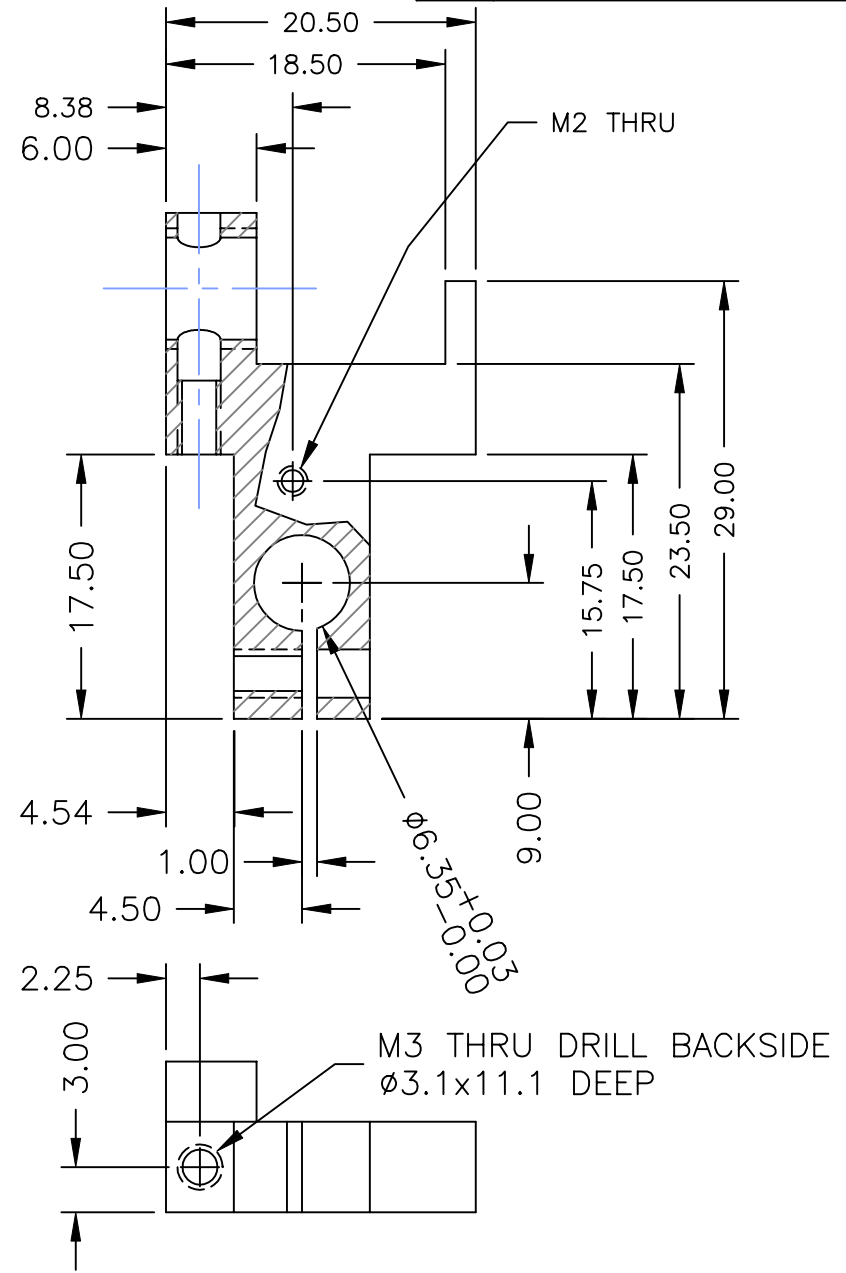
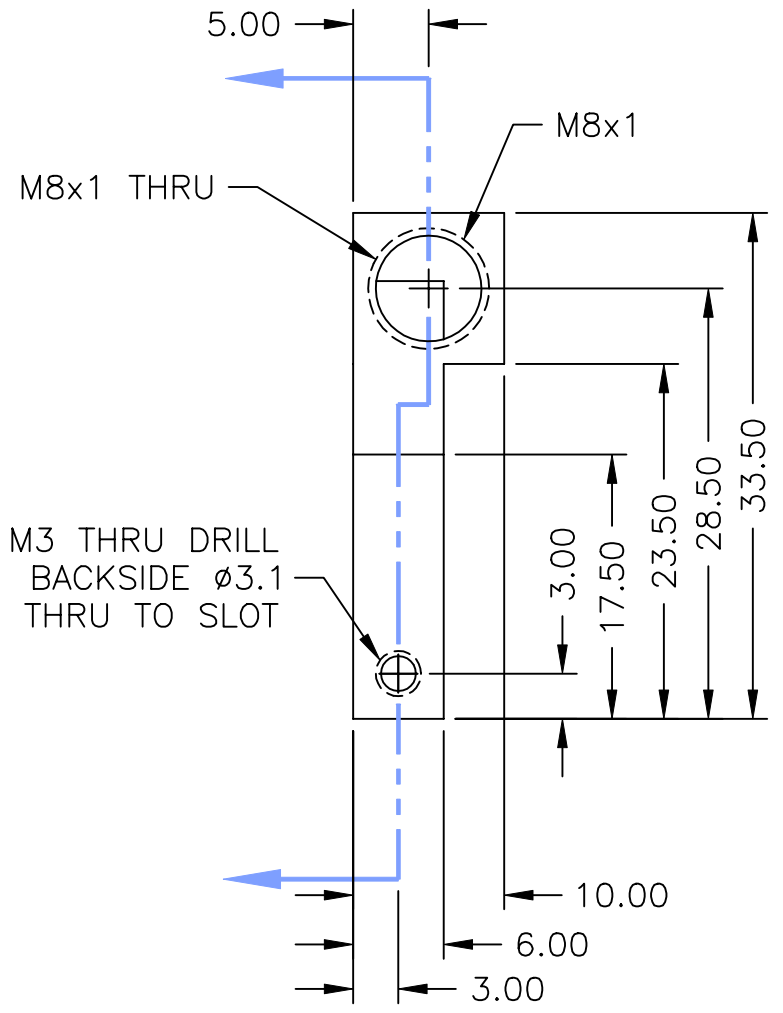
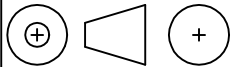


REVISION	DESCRIPTION	DATE
----------	-------------	------



U.S. STD. THIRD ANGLE PROJECTION



ALL DIMENSIONS IN mm

UNLESS OTHERWISE SPECIFIED  
DIMENSIONS ARE IN MILLIMETERS  
BILATERAL TOLERANCES ARE:  
.XX = .1 mm ANGLES SURFACES  
.XXX = .05 mm 0.5°  $\sqrt{32}$

MATERIAL	6061-T6 ALUMINUM	DRAWN	P. TURIN	CONTRACT /BUDGET NR	SY-90	TITLE	IMAGE RELEASE ARM	SHEET	SPACE SCIENCES LABORATORIES
FINISH	GOLD ALODINE	DATE	6/20/97	SCALE - DO NOT SCALE -	2:1	DRAWING NR.	8199-A4	REVISION	C
								UNIVERSITY OF CALIFORNIA, BERKELEY	BERKELEY, CA 94720 (415) 642-7297