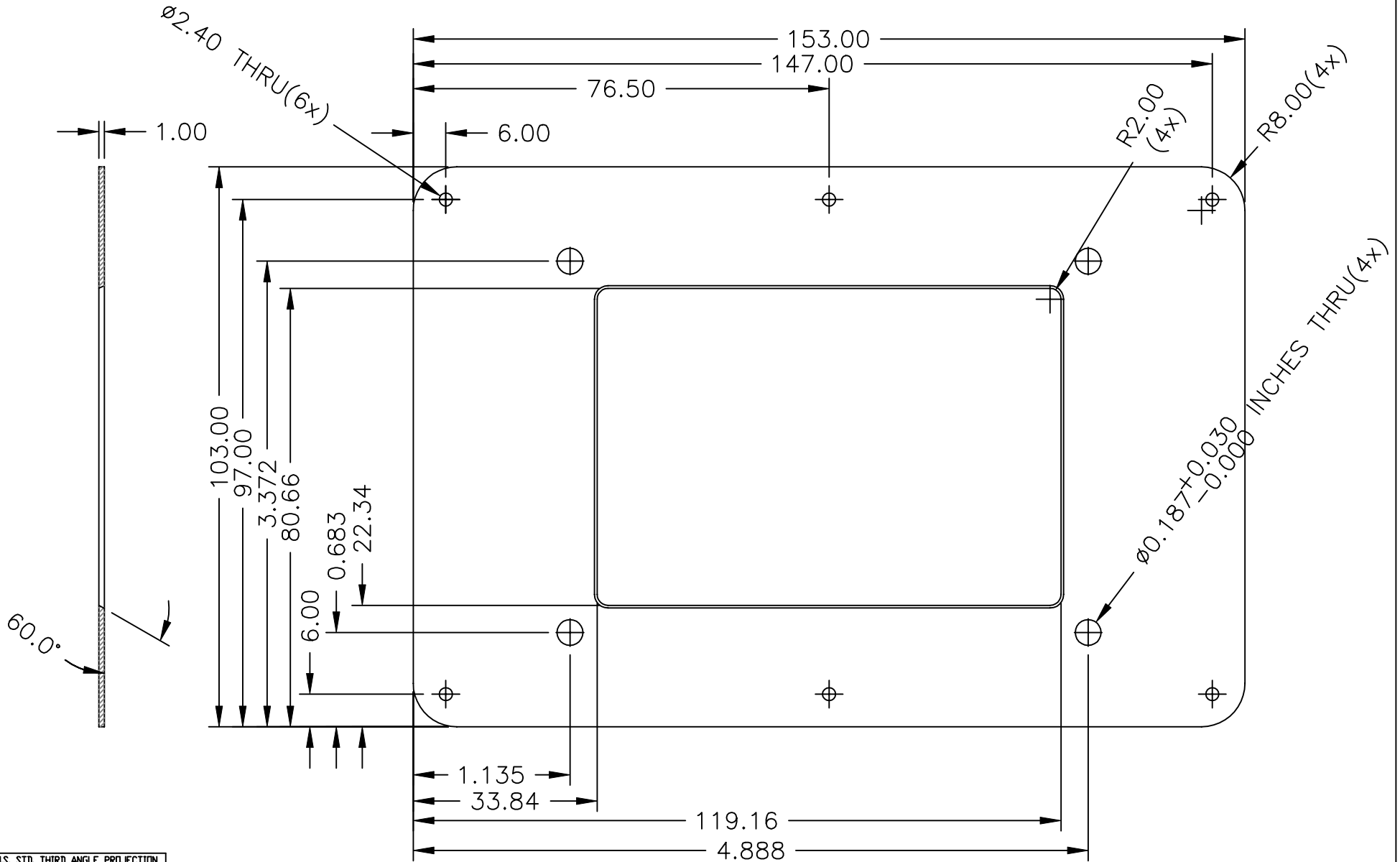
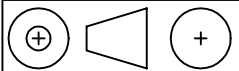


REVISION	DESCRIPTION	DATE
----------	-------------	------



U.S. STD. THIRD ANGLE PROJECTION



ALL DIMENSIONS IN mm

UNLESS OTHERWISE SPECIFIED
DIMENSIONS ARE IN MILLIMETERS
BILATERAL TOLERANCES ARE:
.XX = .1 mm ANGLES SURFACES
.XXX = .05 mm 0.5° 32

MATERIAL	6061-T6 ALUMINUM	DRAWN	P. TURIN	CONTRACT /BUDGET NR	SY-90	TITLE	IMAGE HOUSING COVER	SHEET	SPACE SCIENCES LABORATORIES
FINISH	POLISH	DATE	6/20/97	SCALE - DO NOT SCALE -	1:1	DRAWING NR.	8197-A4	REVISION	D
									UNIVERSITY OF CALIFORNIA, BERKELEY BERKELEY, CA 94720 (415) 642-7297