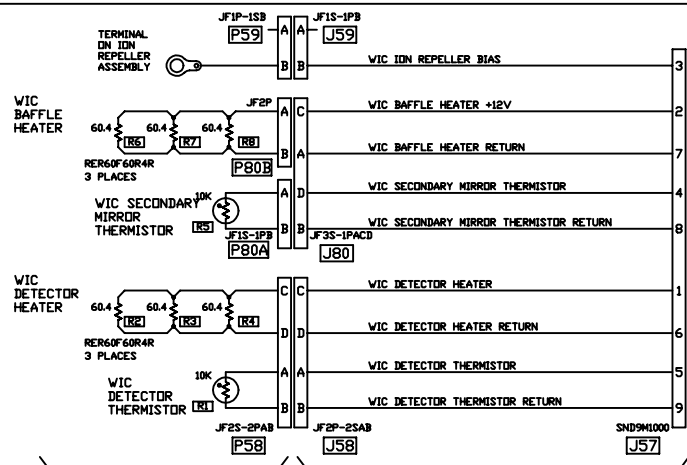
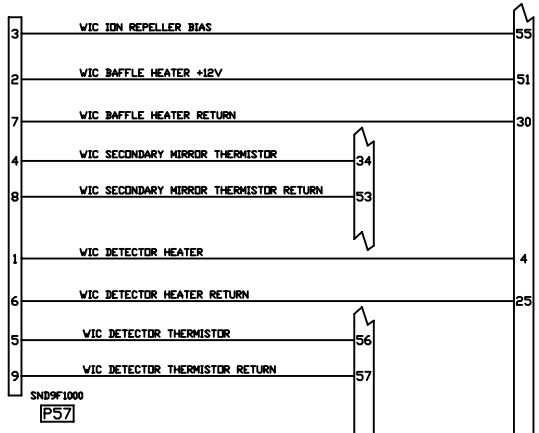


REV	DESCRIPTION	BY	DATE
A	INITIAL RELEASE	HDH	28 JUL 97
B	ADDED VIC BAFFLE HEATER	HDH	28 OCT 98
C	SW. CONTACTS & WIRE COLORS	HDH	15 NOV 98



PARTS LOCATED ON WIC DETECTOR ASSEMBLY AND IN OPTICS TUBE

HARNESS LOCATED ON WIC DETECTOR ACCESS PLATE

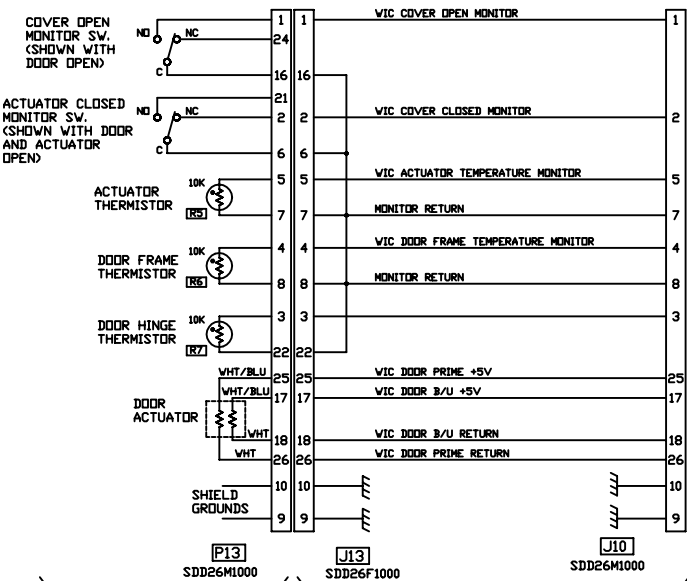


BAFFLE HEATER
7.15 WATTS AT 12 VOLTS

DETECTOR HEATER
7.15 WATTS AT 12 VOLTS

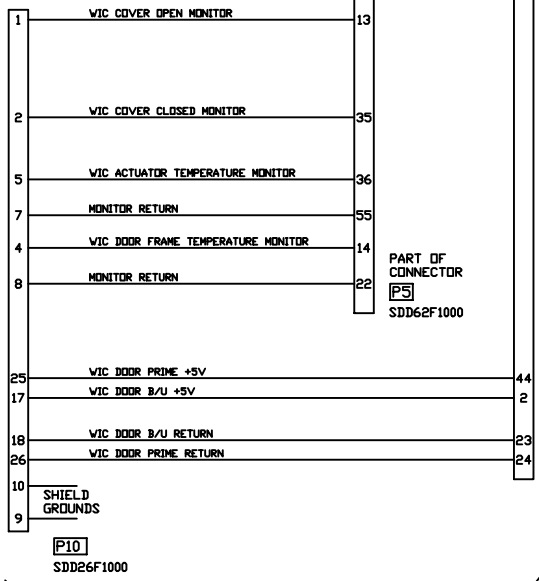
PART OF CONNECTOR
P4
SDD62M1000

PART OF CONNECTOR
P5
SDD62F1000



PARTS LOCATED ON WIC FRONT COVER ASSEMBLY

HARNESS ASSEMBLY LOCATED IN WIC DOG HOUSE



PART OF FUV INTRA-INSTRUMENT WIRING HARNESS (SHOWN FOR REFERENCE ONLY)

IMAGE FUV UNIVERSITY OF CALIFORNIA AT BERKELEY
SPACE SCIENCES LABORATORY

WIC ELECTRICAL SCHEMATIC

FILE NAME	DWG NO	REV
8193-A4		C
DRAWN BY	DATE	
H. HEETDERKS	27 JULY, 1998	