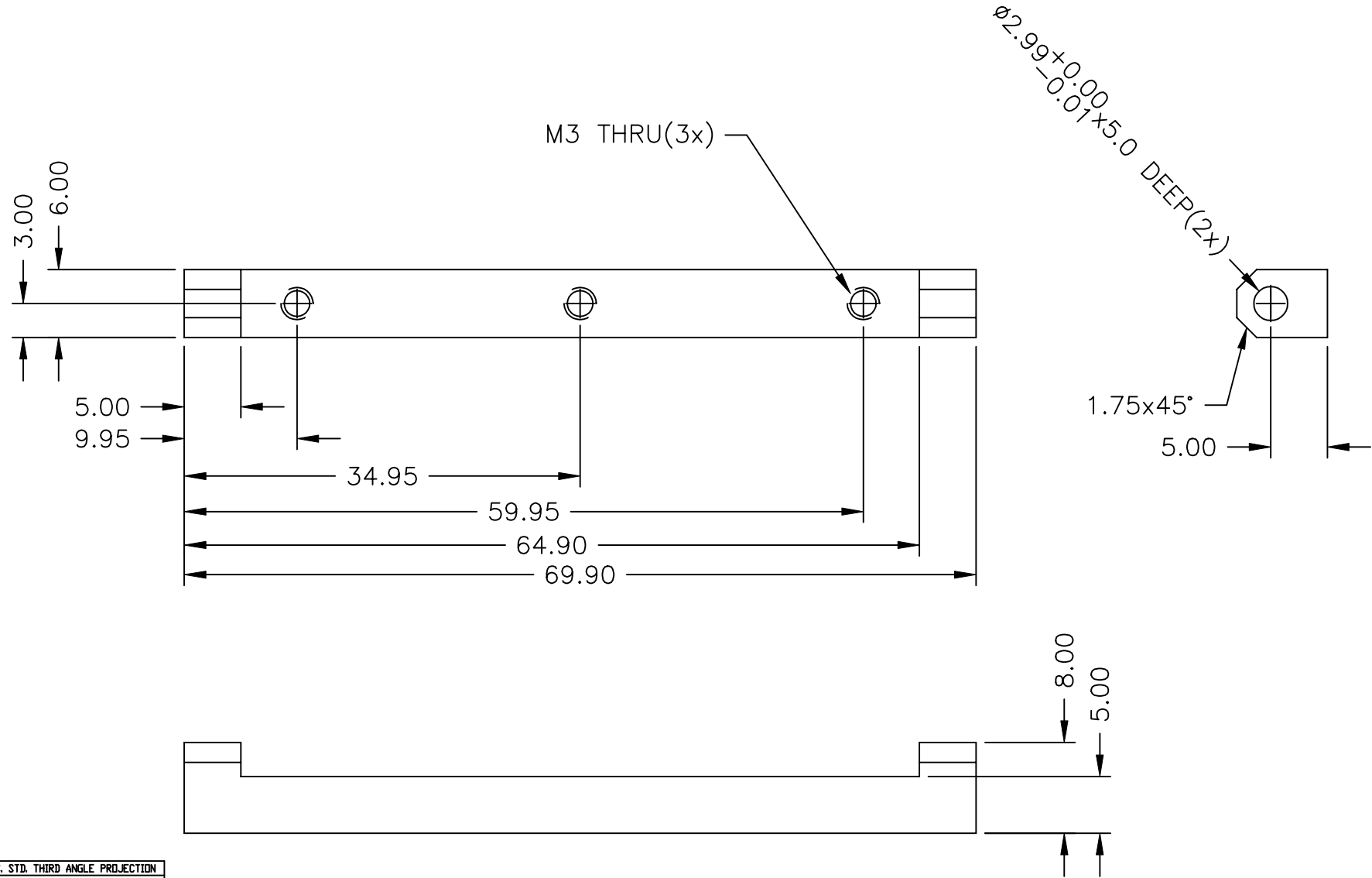
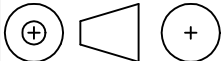


REVISION	DESCRIPTION	DATE
----------	-------------	------



U.S. STD. THIRD ANGLE PROJECTION



ALL DIMENSIONS IN mm

UNLESS OTHERWISE SPECIFIED DIMENSIONS ARE IN MILLIMETERS BILATERAL TOLERANCES ARE: .XX = .1 mm ANGLES SURFACES .XXX = .05 mm 0.5°	MATERIAL	DRAWN	CONTRACT /BUDGET NR	TITLE	SHEET
	6061-T6 ALUMINUM	P. TURIN	SY-90	IMAGE DOOR HINGE BASE	SPACE SCIENCES LABORATORIES
	FINISH	DATE	SCALE - DO NOT SCALE -	DRAWING NR.	REVISION
	GOLD ALODINE		2:1	8191-A4	C
					UNIVERSITY OF CALIFORNIA, BERKELEY BERKELEY, CA 94720 (415) 642-7297