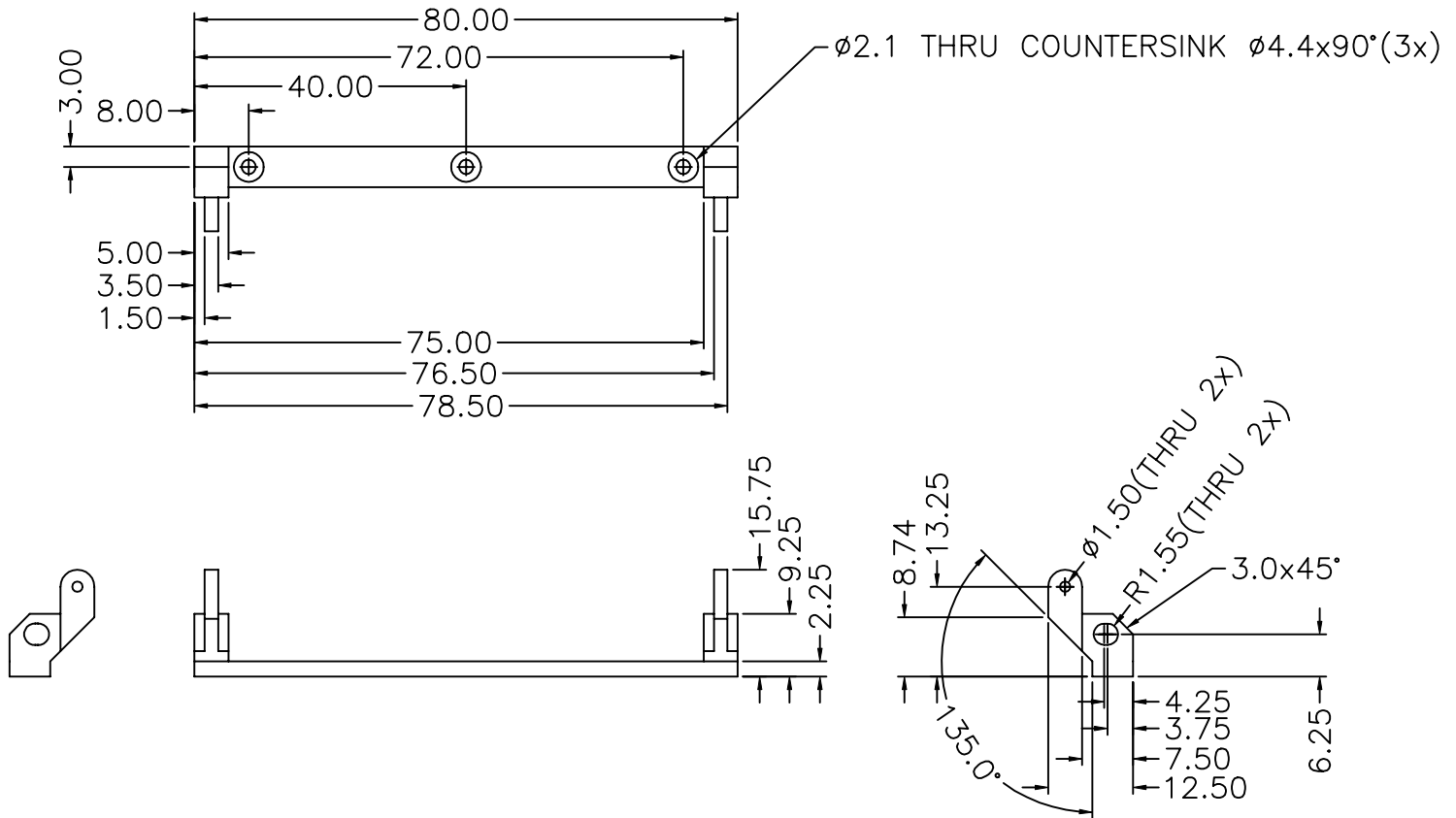
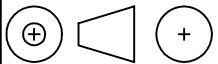


REVISION	DESCRIPTION	DATE
----------	-------------	------



U.S. STD. THIRD ANGLE PROJECTION



ALL DIMENSIONS IN mm

UNLESS OTHERWISE SPECIFIED
DIMENSIONS ARE IN MILLIMETERS
BILATERAL TOLERANCES ARE:
.XX = .1 mm ANGLES SURFACES
.XXX = .05 mm 0.5° 32

MATERIAL 6061-T6 ALUMINUM	DRAWN P. TURIN	CONTRACT /BUDGET NR SY-90	TITLE IMAGE_DOOR_HINGE	SHEET	SPACE SCIENCES LABORATORIES
FINISH GOLD ALODINE	DATE 6/20/97	SCALE - DO NOT SCALE - 1:1	DRAWING NR. 8190-A4	REVISION A	UNIVERSITY OF CALIFORNIA, BERKELEY BERKELEY, CA 94720 (415) 642-7297