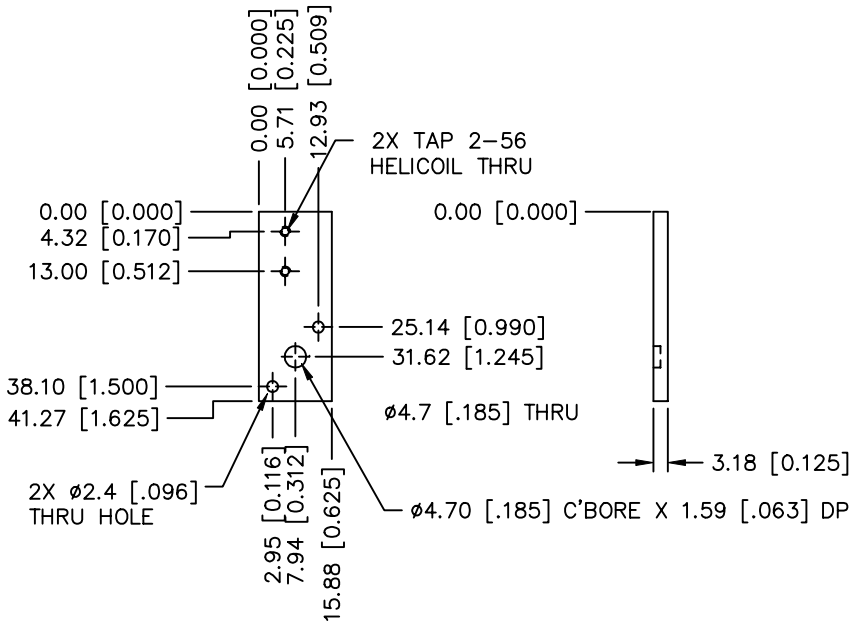


REVISIONS				
ZONE	REV.	DESCRIPTION	DATE	APPROVED

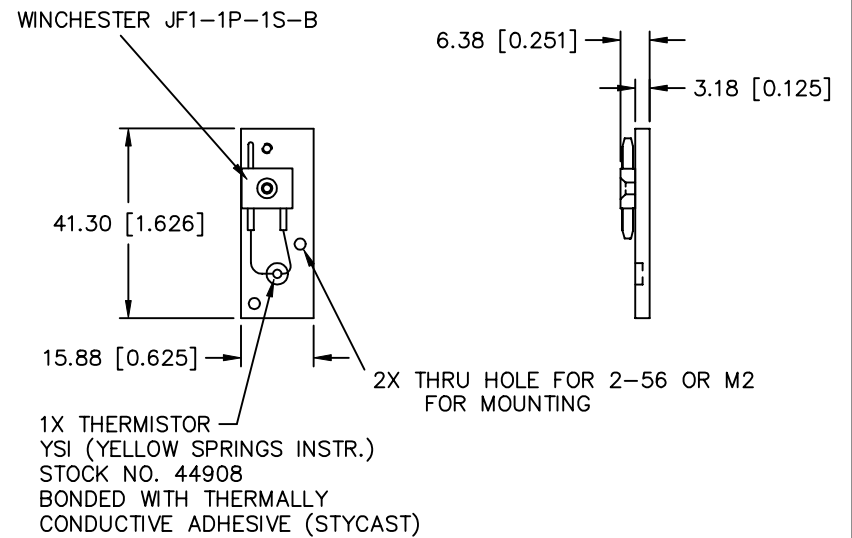


NOTES:

1. INTERPRET PER ANSI Y14.5M-1982.
2. BREAK SHARP EDGES & REMOVE BURRS.

14OCT97

REVISIONS				
ZONE	REV.	DESCRIPTION	DATE	APPROVED



NOTES:

1. INTERPRET PER ANSI Y14.5M-1982.

14OCT97

A/R	6061-T651 ALUM. ALLOY	QQ-A-250/11		
ITEM NO.	QTY REQD	PART OR IDENTIFYING NO.	NOMENCLATURE OR DESCRIPTION	MATERIAL SPECIFICATION

METRIC		PARTS LIST	
UNLESS OTHERWISE SPECIFIED DIMENSIONS ARE IN MM TOLERANCES ARE:		CONTRACT NO. SPACE SCIENCE LABORATORY UNIVERSITY OF CALIFORNIA- BERKELEY	
FRACTIONS .XX *	DECIMALS .XXX *	APPROVALS R.CHUNG	DATE 07FEB97
MATERIAL		THERMISTOR BLOCK	
FINISH		JOB NO.	SIZE DWG. NO. 8175-A2
WEIGHT		SCALE	DO NOT SCALE SHEET 1 OF 1

A/R	6061-T651 ALUM. ALLOY	QQ-A-250/11		
ITEM NO.	QTY REQD	PART OR IDENTIFYING NO.	NOMENCLATURE OR DESCRIPTION	MATERIAL SPECIFICATION

METRIC		PARTS LIST	
UNLESS OTHERWISE SPECIFIED DIMENSIONS ARE IN MM TOLERANCES ARE:		CONTRACT NO. SPACE SCIENCE LABORATORY UNIVERSITY OF CALIFORNIA- BERKELEY	
FRACTIONS .XX *	DECIMALS .XXX *	APPROVALS R.CHUNG	DATE 14OCT97
MATERIAL		THERMISTOR BLOCK ASSEMBLY	
FINISH		JOB NO.	SIZE DWG. NO. 8175-A2
WEIGHT		SCALE	DO NOT SCALE SHEET 1 OF 1