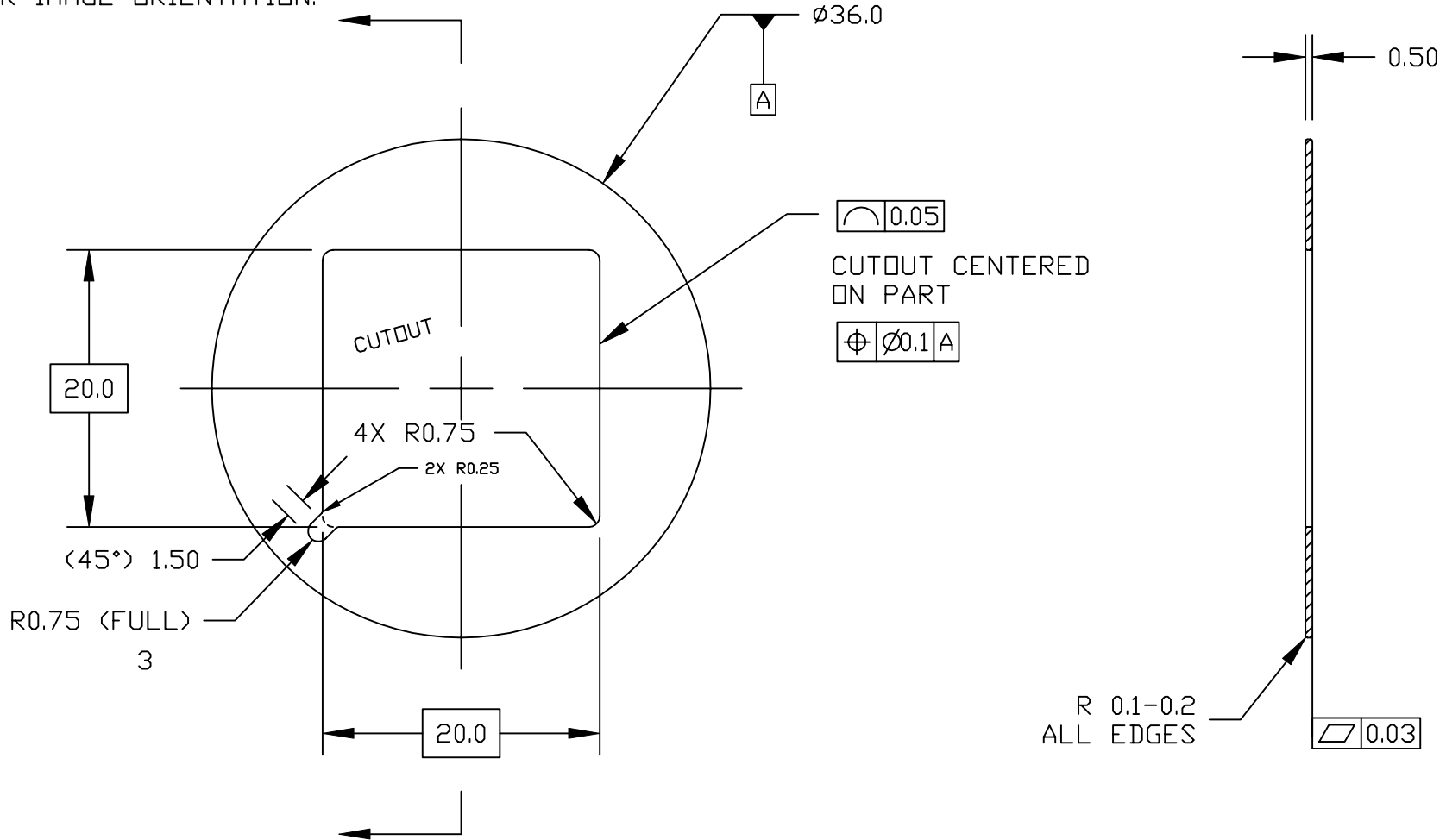


NOTES:

1. DO NOT USE SULFUR OILS.
2. MATERIAL CERT'S REQUIRED.
3. REF. CUTOUT PROVIDES MECH. REF. PT. FOR IMAGE ORIENTATION.

REVISIONS			
REV.	DESCRIPTION	DATE	APPROVED
A	BASELINE RELEASE	9/29/97	D.S.
B	ADD CUTOUT ON CORNER	12/4/97	



25 mm

1						304SS	
ITEM#	QTY	PART NUMBER		NOMENCLATURE		MATERIAL SPECIFICATION	
THIRD ANGLE PROJECTION		TOLERANCES (EXCEPT AS SPECIFIED)		DO NOT SCALE DRAWING METRIC DRAWING (UNITS: mm)		<i>Experimental Astrophysics Group</i> UNIVERSITY OF CALIFORNIA, BERKELEY, USA DWG TITLE MCP APERTURE MASK SI DETECTOR	
		OVER	TO	INTERPRET PER ANSI Y14.5-1982 WELDING SYMBOLS PER ANSI/AWS A2.4-79			
		0	49.99	±0.1	APPROVALS	DATE	DWG. NO. 8152-A3 REV B
		50	249.9	±0.5	DRAWN J. STOCK	9/29/97	
		250	-	±1	CHECKED D.S.	9/29/97	SCALE 2/1 SHEET 1 OF 1
		ANGLES -		±0.1°	ISSUED J.S.	9/29/97	
		SURFACE FINISH .2		SURFACE TREATMENT ELECTROPOLISH			
NEXT	FINAL	NEXT ASSY	USED ON	MASS			
QTY REQD	DEF	APP	APP	APPLICATION			