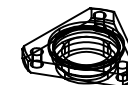
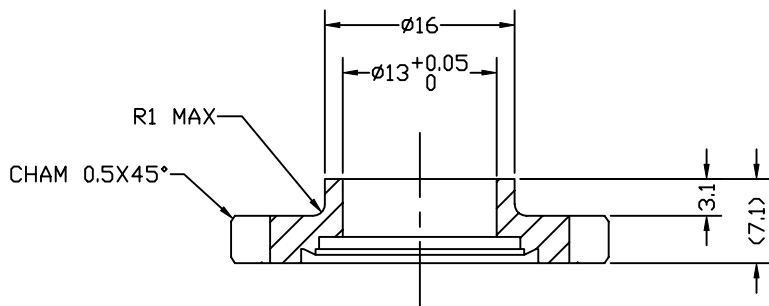
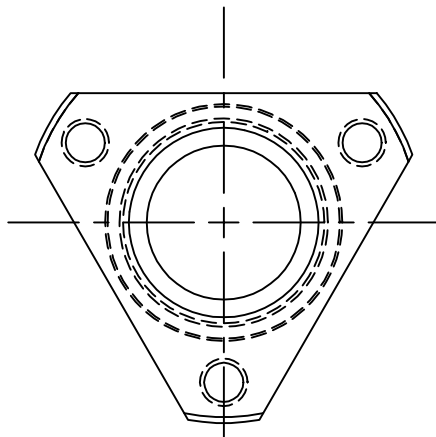


25.4 mm
1 inch

REVISIONS			
REV.	DESCRIPTION	DATE	APPROVED
A	BASELINE RELEASE	2/11/98	

NOTES, UNLESS SPECIFIED OTHERWISE:

1. REMOVE BURRS & BREAK SHARP EDGES, R0.15 MAX
2. IDENTIFY PART BY BAGGING AND TAGGING
3. MATERIAL CERTS REQUIRED
4. MANUFACTURE PART FROM 1.33 INCH NON-ROTATABLE CONFLAT FLANGE, METRIC TAPPED, 12.82 CENTER HOLE, VARIAN PN F0133-0050-NME OR EQUIVALENT.
5. DIMENSIONS OMITTED FOR EXISTING FEATURES ON ORIGINAL PART.



1	A/R	F0133-0050-NME	NON-ROTATABLE CONFLAT	4	304 ESR SS																		
ITEM#	QTY	PART NUMBER	NOMENCLATURE		MATERIAL SPECIFICATION																		
<table border="1"> <thead> <tr> <th colspan="3">TOLERANCES (EXCEPT AS SPECIFIED)</th> </tr> <tr> <th>OVER</th> <th>TO</th> <th>TOLERANCE</th> </tr> </thead> <tbody> <tr> <td>0</td> <td>49.99</td> <td>±0.1</td> </tr> <tr> <td>50</td> <td>249.9</td> <td>±0.5</td> </tr> <tr> <td>250</td> <td>-</td> <td>±1</td> </tr> <tr> <td colspan="2">ANGLES</td> <td>±1°</td> </tr> </tbody> </table>			TOLERANCES (EXCEPT AS SPECIFIED)			OVER	TO	TOLERANCE	0	49.99	±0.1	50	249.9	±0.5	250	-	±1	ANGLES		±1°	DO NOT SCALE DRAWING METRIC DRAWING (UNITS: mm)		<i>Space Sciences Laboratory</i> UNIVERSITY OF CALIFORNIA, BERKELEY, USA
TOLERANCES (EXCEPT AS SPECIFIED)																							
OVER	TO	TOLERANCE																					
0	49.99	±0.1																					
50	249.9	±0.5																					
250	-	±1																					
ANGLES		±1°																					
SURFACE FINISH 1.6 ✓			INTERPRET PER ANSI Y14.5-1994 WELDING SYMBOLS PER ANSI/AWS A2.4-79																				
SURFACE TREATMENT ELECTROPOLISH			APPROVALS DRAWN K. KROMER	DATE 2/11/98	DWG TITLE MODIFIED CONFLAT FLANGE FUV WIC DETECTOR																		
MASS 12.8g			CHECKED	ISSUED		SIZE A																	
			SCALE 2:1			DWG. NO. 8144-A4 REV A																	
					SHEET 1 OF 1																		