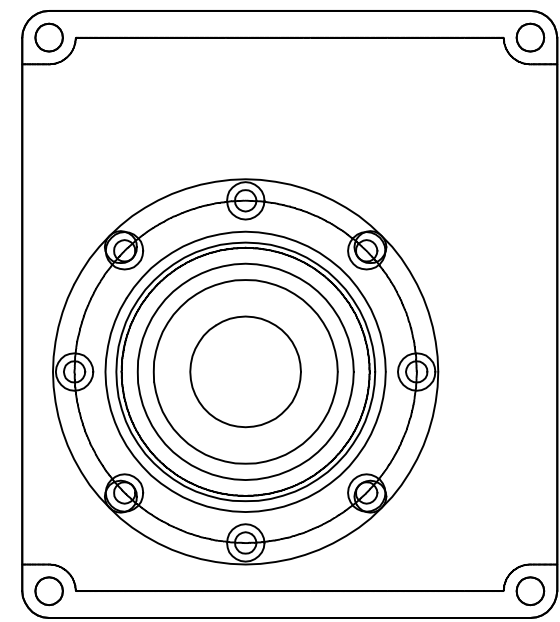
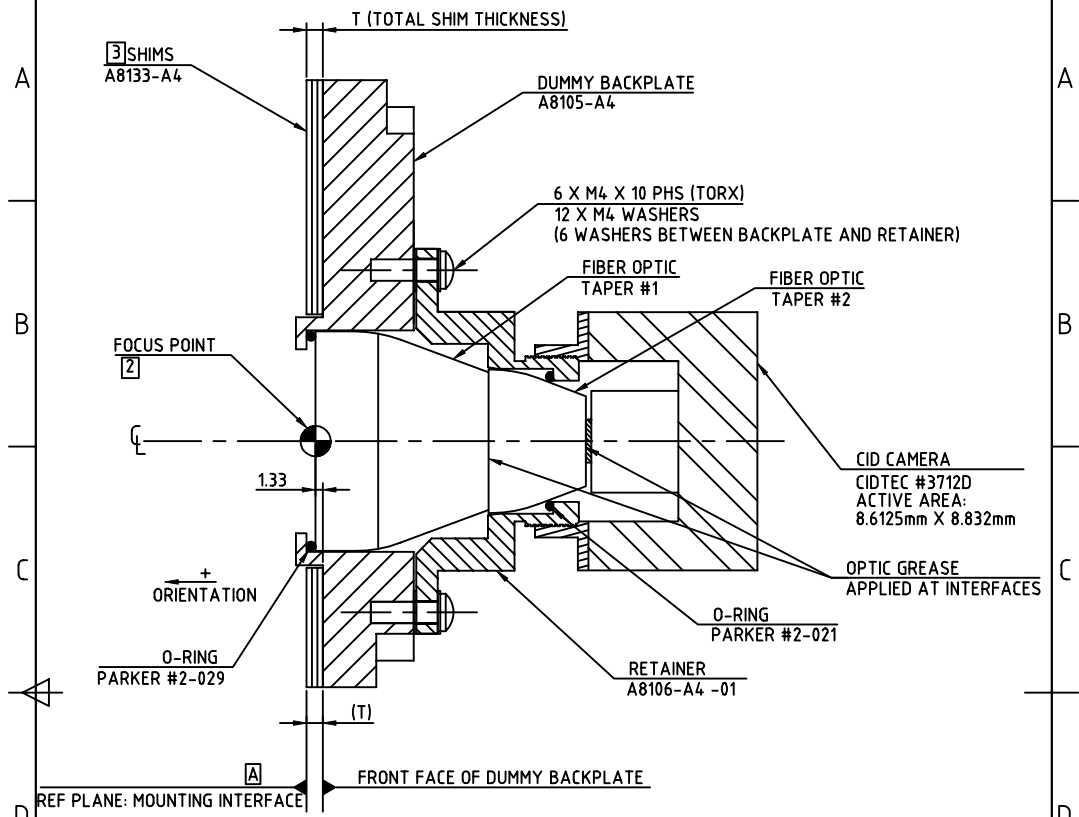


1	2	3	4
RevNo	Revision note	Date	Signature
A	BASELINE RELEASE	26-SEP-97	BD
			Checked
			BD



- NOTES: UNLESS OTHERWISE SPECIFIED**
1. UNIT ASSEMBLED CLEAN AT UCB/SSL. DO NOT DISASSEMBLE.
 2. FOCUS POINT LOCATION AS MEASURED FOLLOWING ASSY OF UNIT.
 3. STACK UCB SUPPLIED SHIMS (#8133-A4) A/R TO LOCATE FOCUS POINT AT CORRECT LOCATION ON INSTRUMENT. SEE TABLE A FOR SHIM SCHEDULE.

TOTAL SHIM THICKNESS 'T'	FOCUS POINT LOCATION FROM REF. PLANE -A-	RMKS
0.0	+1.33	CID DETECTOR ASSY AS-BUILT
2.43	-1.1	UCB MCP DETECTOR FLIGHT LOCATION (WITH 2mm WINDOW)
1.66	-0.33	LAMBDA 121 POSITION CORRECTED FOR MISSING WINDOW
1.73	-0.40	LAMBDA 135 POSITION CORRECTED FOR MISSING WINDOW

Itemref	Quantity	Title/Name, designation, material, dimension etc	Article No./Reference		
Designed by DONAKOWSKI	Checked by DONAKOWSKI	Approved by - date SIEGMUND/26SEP97	Filename =====	Date 26-SEP-97	Scale 1:1
8109-A4			CID DETECTOR ASSY		
metric drawing: units mm			Edition A	Sheet 1/1	