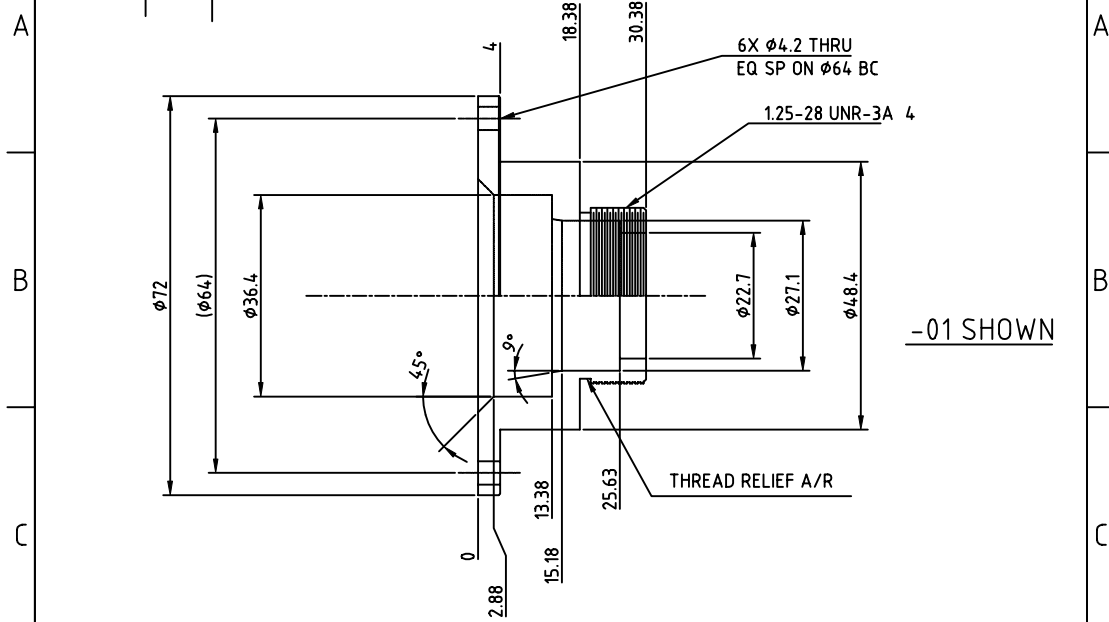
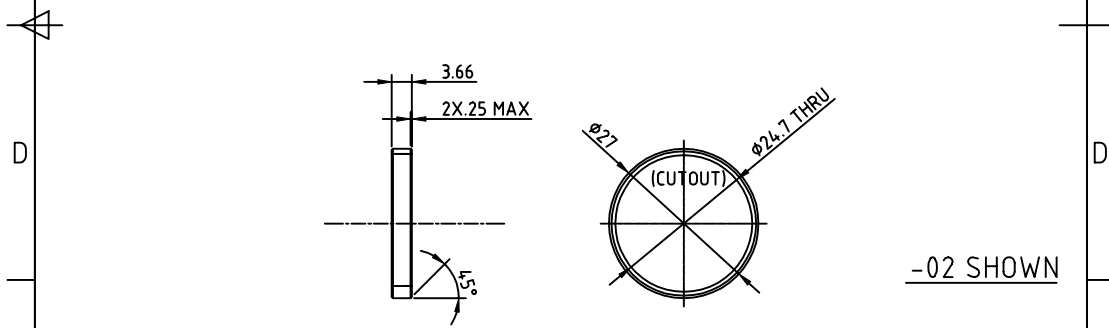


RevNo	Revision note	Date	Signature	Checked
A	BASELINE RELEASE	19-SEP-97	BD	BD
B	ON -01: $\phi 22.7$ (WAS) $\phi 20.7$, DELETED 27° CHAMFER, $\phi 27.1$ (WAS) $\phi 26.7$, $\phi 15.18$ (WAS) 16.38 ON -02: $\phi 27$ (WAS) $\phi 26.6$	24-SEP-97	BD	BD



-01 SHOWN



-02 SHOWN

- NOTES: UNLESS OTHERWISE SPECIFIED
1. INTERPRET DWG PER ASME Y14.5M-1994
 2. MATL: PEEK PLASTIC
 3. REMOVE BURRS AND BREAK SHARP EDGES
 4. VERIFY THREAD TYPE BY INSPECTION OF MATING PART PRIOR TO FABRICATION.

Itemref	Quantity	Title/Name, designation, material, dimension etc			Article No./Reference	
Designed by DONAKOWSKI	Checked by DONAKOWSKI	Approved by - date DONAKOWSKI	Filename -	Date 18-SEP-97	Scale 1:1	
8106-A4				RETAINER, CID ASSY		
				eag/ssl/image	Edition B	Sheet 1/1