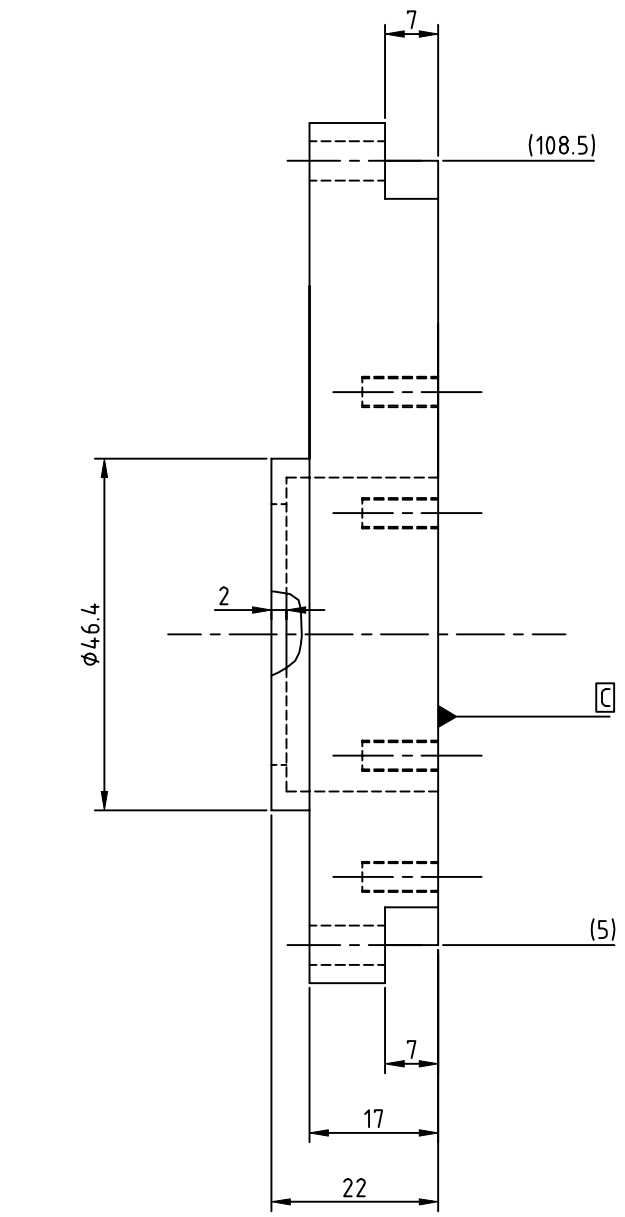
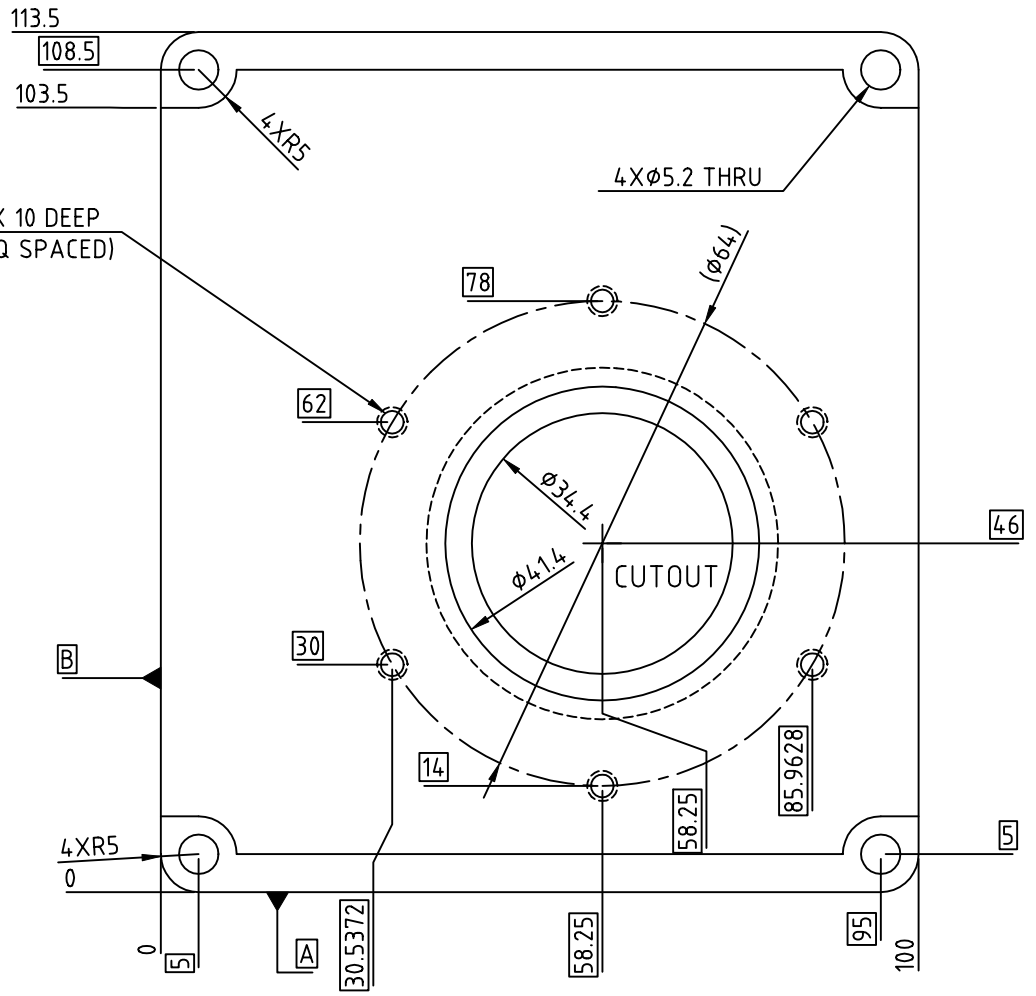


REVISIONS				
ZONE	REV	DESCRIPTION	DATE	APPROVED
ALL	B	φ41.4 (WAS) φ40.4	24-SEP-97	DONAKOWSKI
ALL	C	PART DIMS SAME/MIRROR IMAGE CREATED	20-JAN-98	DONAKOWSKI



6 X M4 X 10 DEEP
(6 HOLES EQ SPACED)



NOTES: UNLESS OTHERWISE SPECIFIED
1. REMOVE BURRS AND BREAK EDGES

DUMMY BACKPLATE (CID FOCUS TEST ASSY)			
INTERPRET PER ASME Y14.5-1994 MATL: AL ALLOY 6061 T6	SIZE	FSCM NO.	DWG NO. A8105-A4
DR BY: DONAKOWSKI 17-SEP-97	SCALE FULL	SHEET	

REV
C