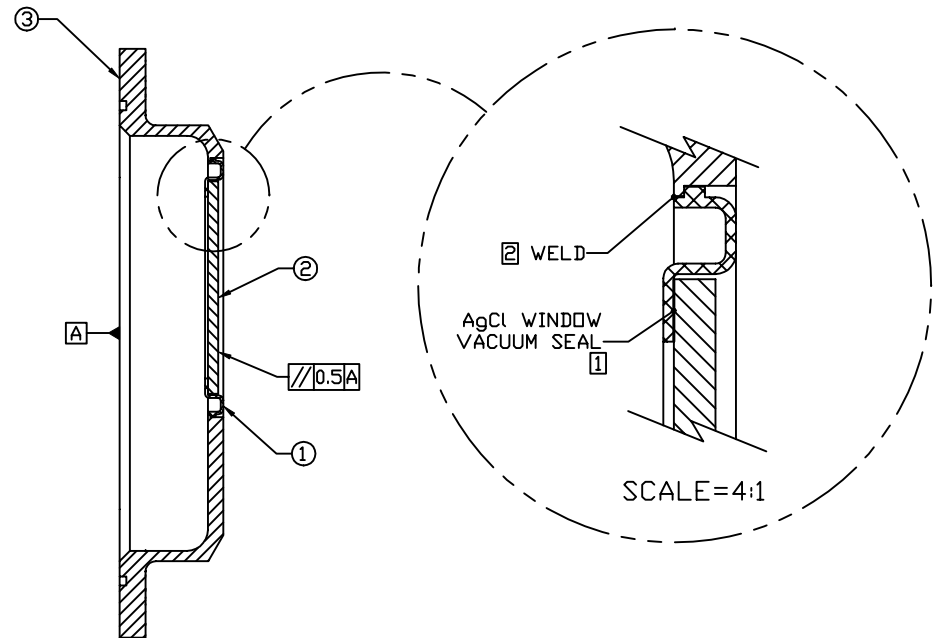
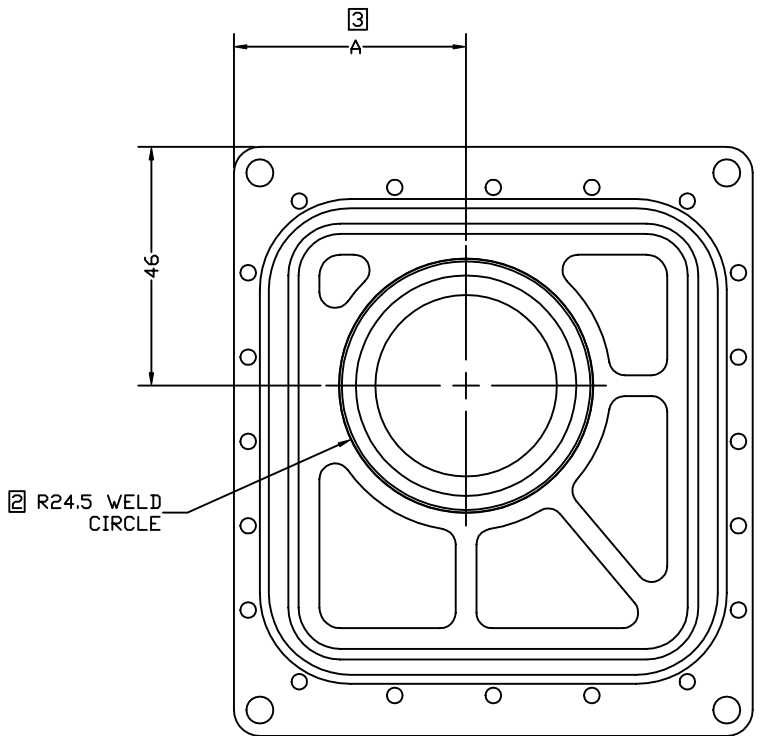
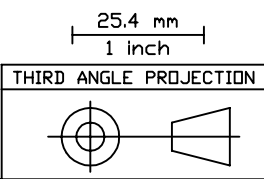


REVISIONS			
REV.	DESCRIPTION	DATE	APPROVED
A	BASELINE RELEASE	9/17/97	



NOTES:
 1. MOUNT MgF2 WINDOW INTO Ag FRAME USING AgCl VACUUM SEAL.
 2. E-BEAM WELD WINDOW/FLANGE ASSY TO VACUUM CHAMBER.
 3. "A" DIMENSION IS 44.75 FOR CHAMBER #8039 (SHOWN), 37.5 FOR CHAMBER #8043.
 4. FINAL ASSY TO BE HERMETIC TO 1E-9 std cc/s IN He.



3	A/R	8043	DETECTOR CHAMBER, 1356 A	304 SS
3	A/R	8039	DETECTOR CHAMBER, 1218.5 A	304 SS
2	1	8045	WINDOW	VUV GRADE MgF2
1	1	8044	WINDOW FLANGE	SILVER (Ag)
ITEM#	QTY	PART NUMBER	NOMENCLATURE	MATERIAL SPECIFICATION
TOLERANCES (EXCEPT AS SPECIFIED)		DO NOT SCALE DRAWING		
OVER	TO	METRIC DRAWING		
0	49.99	(UNITS: mm)		
50	249.9	INTERPRET PER ANSI Y14.5-1994		
250	-	WELDING SYMBOLS PER ANSI/AWS A2.4-79		
ANGLES		APPROVALS		
		DATE		
SURFACE FINISH		DRAWN K. KROMER 9/17/97		
SURFACE TREATMENT		CHECKED		
MASS		ISSUED		
352g		SIZE B		
		PROGRAM IMAGE		
		DWG. NO. 8104-A4		
		REV A		
		SCALE FULL		
		SHEET 1 OF 1		

Space Sciences Laboratory
 UNIVERSITY OF CALIFORNIA, BERKELEY, USA

DWG TITLE
 ASSY DRAWING
 FUV SI DETECTOR CHAMBER