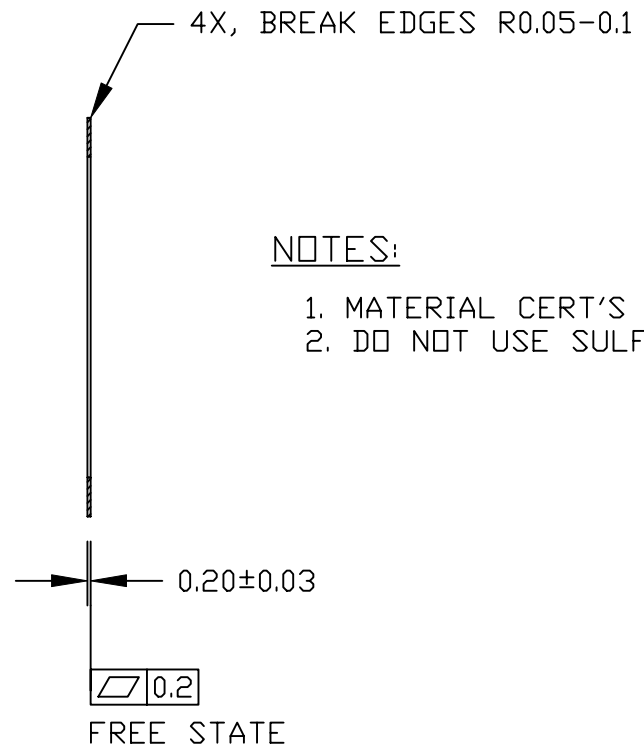
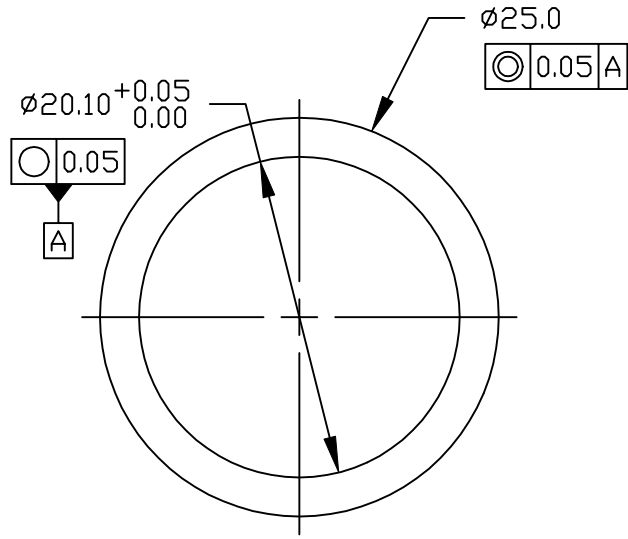


REVISIONS			
REV.	DESCRIPTION	DATE	APPROVED
A	BASELINE RELEASE	9/19/97	D.S.



NOTES:

1. MATERIAL CERT'S REQUIRED.
2. DO NOT USE SULFUR OILS.

25 mm

1			FLAT SHIM STOCK	17-7 COND. C											
ITEM#	QTY	PART NUMBER	NOMENCLATURE	MATERIAL SPECIFICATION											
THIRD ANGLE PROJECTION		TOLERANCES (EXCEPT AS SPECIFIED)		DO NOT SCALE DRAWING METRIC DRAWING (UNITS: mm)											
		<table border="1"> <thead> <tr> <th>OVER</th> <th>TO</th> <th>TOLERANCE</th> </tr> </thead> <tbody> <tr> <td>0</td> <td>49.99</td> <td>± 0.1</td> </tr> <tr> <td>50</td> <td>249.9</td> <td>± 0.5</td> </tr> <tr> <td>250</td> <td>-</td> <td>± 1</td> </tr> </tbody> </table>	OVER		TO	TOLERANCE	0	49.99	± 0.1	50	249.9	± 0.5	250	-	± 1
OVER	TO	TOLERANCE													
0	49.99	± 0.1													
50	249.9	± 0.5													
250	-	± 1													
SURFACE FINISH		0.2		APPROVALS											
SURFACE TREATMENT		ELECTROPOLISH		DATE											
NEXT		FINAL		DRAWN											
QTY REQD PER ASSY		NEXT ASSY		J. STOCK											
APPLICATION		USED ON		9/10/97											
		MASS		CHECKED											
				D.S.											
				9/10/97											
				ISSUED											
				J.S.											
				9/19/97											
				SIZE											
				A											
				PROGRAM											
				IMAGE-FUV											
				DWG. NO.											
				8092-A3											
				REV											
				A											
				SCALE											
				2/1											
				SHEET											
				1 OF 1											

Experimental Astrophysics Group
UNIVERSITY OF CALIFORNIA, BERKELEY, USA

DWG TITLE: MCP CLAMPING SPRING
WIC DETECTOR

8092-A3

1 OF 1