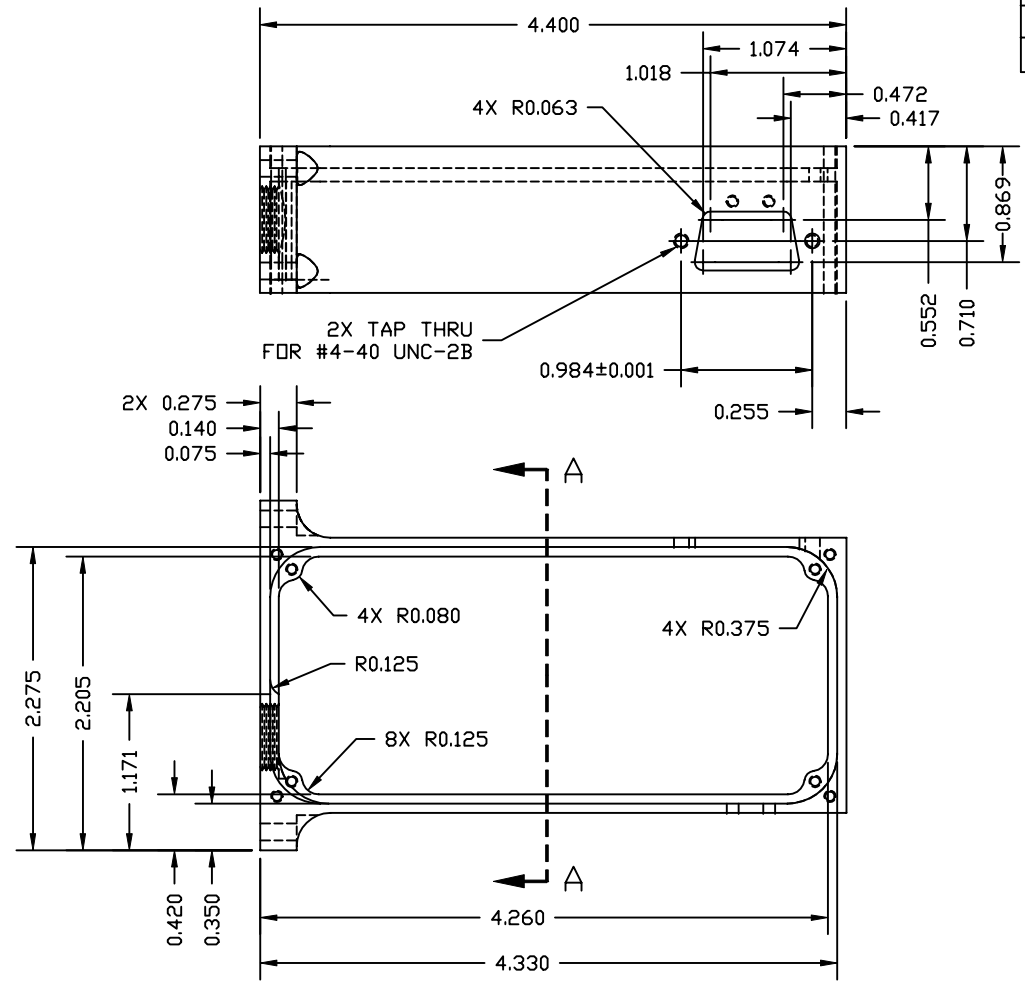
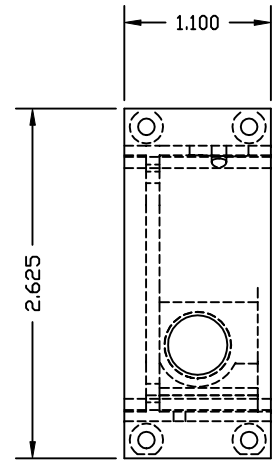
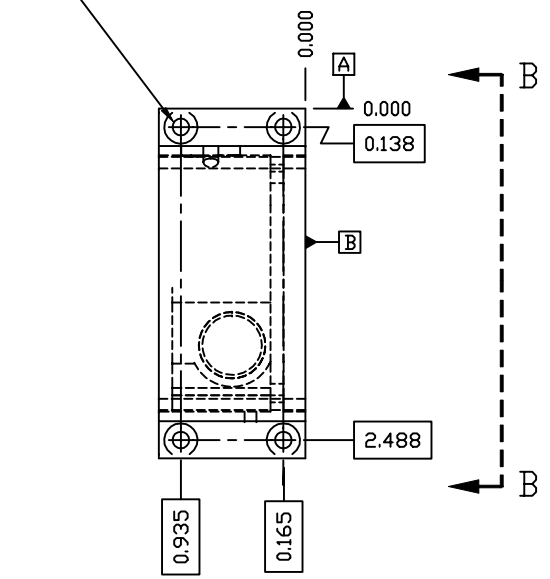


| REVISIONS | | | |
|-----------|------------------|--------|----------|
| REV. | DESCRIPTION | DATE | APPROVED |
| A | BASELINE RELEASE | 9/2/97 | |

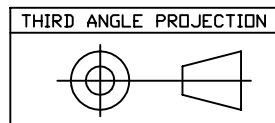
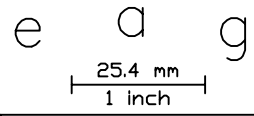


4X DRILL Ø0.125 THRU
 CBDRØ 0.250 UNTIL REMAINING
 MATERIAL IS 0.275 THICK

| | | | |
|---|-----------|---|---|
| Ø | Ø0.005(M) | A | B |
|---|-----------|---|---|



| | | | | |
|----------------------------------|---------|--|---|------------------------|
| 1 | A/R | | ALUMINUM ALLOY, 6061-T651 | QQ-A-250/1 |
| ITEM# | QTY | PART NUMBER | NOMENCLATURE | MATERIAL SPECIFICATION |
| TOLERANCES (EXCEPT AS SPECIFIED) | | DO NOT SCALE DRAWING ENGLISH DRAWING (UNITS: inches) | | |
| OVER | TO | TOLERANCE | INTERPRET PER ANSI Y14.5-1994 WELDING SYMBOLS PER ANSI/AWS A2.4-79 | |
| 0 | 1.999 | ±0.004 | | |
| 2 | 9.999 | ±0.02 | | |
| 10 | - | ±0.04 | APPROVALS | |
| ANGLES | | ±1° | DATE | |
| SURFACE FINISH | | 1.6 | DRAWN K. KROMER 3/31/97 | |
| SURFACE TREATMENT | | ALODINE 600 PER MIL-C-5541 | CHECKED | |
| MASS | | 57.9g | ISSUED | |
| DWG TITLE | | Space Sciences Laboratory UNIVERSITY OF CALIFORNIA, BERKELEY, USA ELECTRONICS BOX SI HVPS, SIDE CONNECTOR | | |
| SIZE | PROGRAM | DWG. NO. | REV | |
| B | IMAGE | 8086-A4 | A | |
| SCALE FULL | | SHEET 1 OF 2 | | |



4

3

2

1