

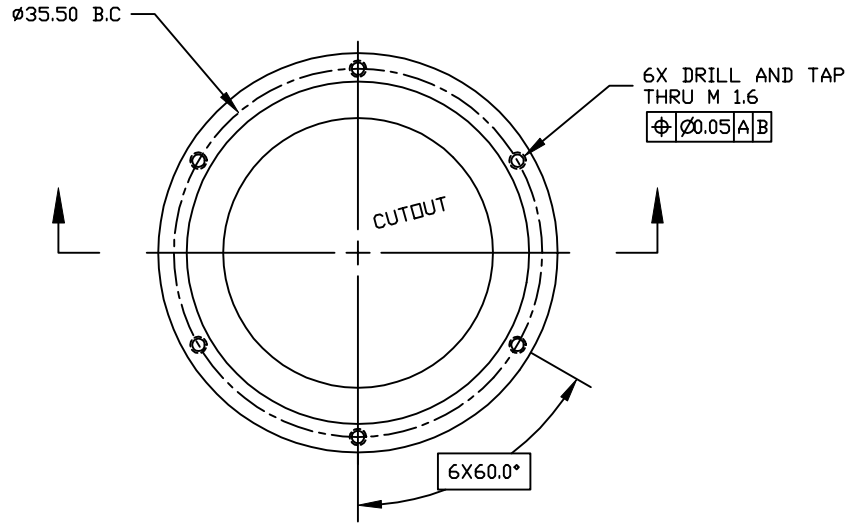
4

3

2

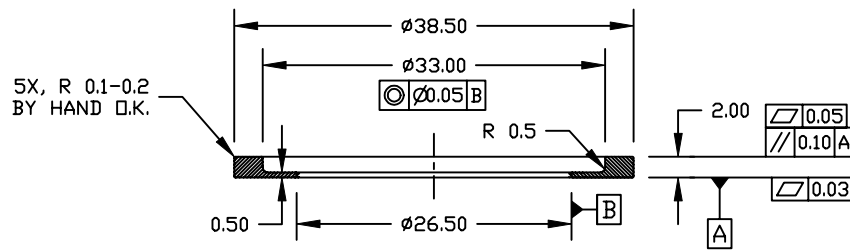
1

REVISIONS			
REV.	DESCRIPTION	DATE	APPROVED
A	BASELINE RELEASE	7/10/97	D.S.



NOTES (UNLESS OTHERWISE SPECIFIED):

- 1. USE NO SULFUR OILS.
- 2. MATERIAL CERT'S REQUIRED.



25 mm

1				KOVAR MIL-I-230-1
ITEM#	QTY	PART NUMBER	NOMENCLATURE	MATERIAL SPECIFICATION

THIRD ANGLE PROJECTION			
NEXT QTY REQD PER ASSY	FINAL	NEXT ASSY	USED ON APPLICATION

TOLERANCES (EXCEPT AS SPECIFIED)		
OVER	TO	TOLERANCE
0	49.99	±0.1
50	249.9	±0.5
250	-	±1
ANGLES		
-	-	±0.1°
SURFACE FINISH		
32		
SURFACE TREATMENT		
ELECTROPOLISH		
MASS		

DO NOT SCALE DRAWING METRIC DRAWING (UNITS: mm)		<i>Experimental Astrophysics Group</i> UNIVERSITY OF CALIFORNIA, BERKELEY, USA	
INTERPRET PER ANSI Y14.5-1982 WELDING SYMBOLS PER ANSI/AWS A2.4-79		DWG TITLE TOP FLANGE WIC DETECTOR BRAZED ASSY	
APPROVALS		DATE	
DRAWN J. STOCK	6/27/97		
CHECKED D.S.	7/2/97		
ISSUED J.S.	7/10/97		
SIZE B	PROGRAM IMAGE	DWG. NO. (PREV. 8561) 8083-A3	REV A
SCALE 2/1		SHEET 1 OF 1	