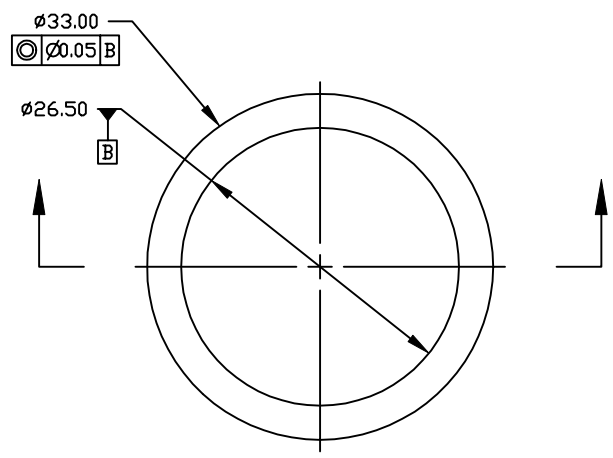
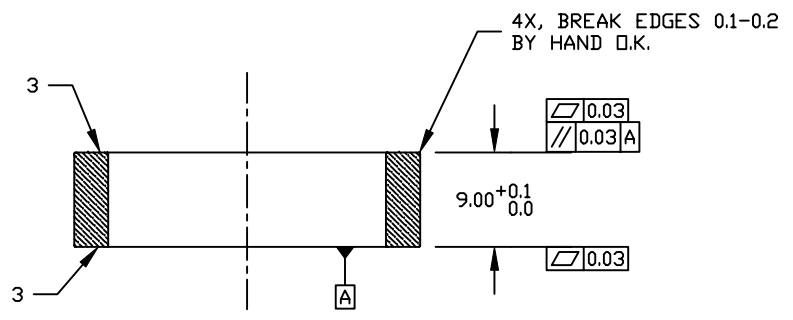


REVISIONS			
REV.	DESCRIPTION	DATE	APPROVED
A	BASELINE RELEASE	7/10/97	D.S.



NOTES (UNLESS OTHERWISE SPECIFIED):

1. MATERIAL CERT'S REQUIRED.
2. METALLIZED INDICATED SURFACES WITH .0005" MoMn AND 100 MICROINCHES NI.
3. KEEP CERAMIC FREE FROM METAL MARKS AND OTHER CONTAMINATION.



25 mm

1	1			ALUMINA, 96-98%																					
ITEM#	QTY	PART NUMBER	NOMENCLATURE	MATERIAL SPECIFICATION																					
<table border="1"> <tr> <th colspan="3">TOLERANCES (EXCEPT AS SPECIFIED)</th> </tr> <tr> <th>OVER</th> <th>TO</th> <th>TOLERANCE</th> </tr> <tr> <td>0</td> <td>49.99</td> <td>± 0.1</td> </tr> <tr> <td>50</td> <td>249.9</td> <td>± 0.5</td> </tr> <tr> <td>250</td> <td>-</td> <td>± 1</td> </tr> <tr> <th colspan="3">ANGLES</th> </tr> <tr> <td></td> <td></td> <td>$\pm 0.1^{\circ}$</td> </tr> </table>				TOLERANCES (EXCEPT AS SPECIFIED)			OVER	TO	TOLERANCE	0	49.99	± 0.1	50	249.9	± 0.5	250	-	± 1	ANGLES					$\pm 0.1^{\circ}$	<p>DO NOT SCALE DRAWING METRIC DRAWING (UNITS: mm)</p> <p>INTERPRET PER ANSI Y14.5-1982 WELDING SYMBOLS PER ANSI/AWS A2.4-79</p>
TOLERANCES (EXCEPT AS SPECIFIED)																									
OVER	TO	TOLERANCE																							
0	49.99	± 0.1																							
50	249.9	± 0.5																							
250	-	± 1																							
ANGLES																									
		$\pm 0.1^{\circ}$																							
SURFACE FINISH		32	APPROVALS	DATE																					
SURFACE TREATMENT		NONE	DRAWN	J. STOCK 6/27/97																					
NEXT		FINAL	CHECKED	D.S. 7/2/97																					
QTY REQD PER ASSY		NEXT ASSY	ISSUED	J. STOCK 7/10/97																					
APPLICATION		USED ON	SCALE	2/1																					
		MASS	PROGRAM	IMAGE																					
			DWG. NO.	8080-A3																					
			(PREV. 8558)	REV A																					
			SHEET	1 OF 1																					

Experimental Astrophysics Group
UNIVERSITY OF CALIFORNIA, BERKELEY, USA

DWG TITLE LOWER CERAMIC
WIC DETECTOR BRAZED ASSY

SIZE B PROGRAM IMAGE DWG. NO. 8080-A3 REV A
(PREV. 8558)

SCALE 2/1 SHEET 1 OF 1